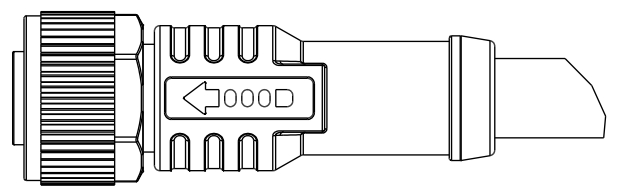
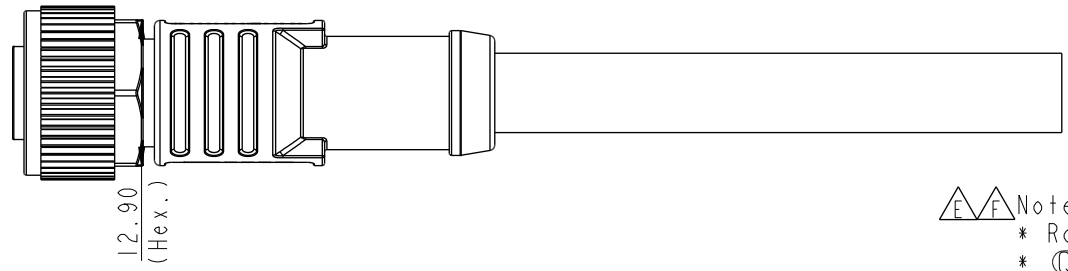
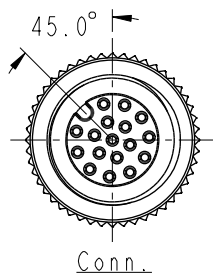
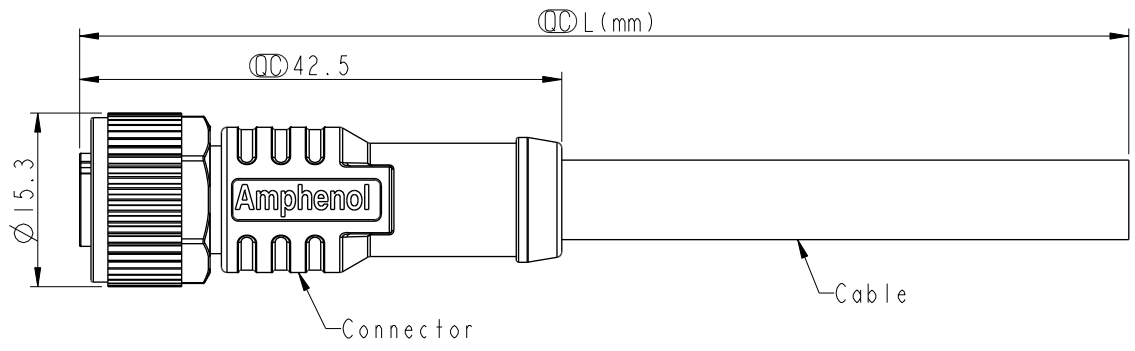


THIS DOCUMENT IS SUBJECT TO CHANGE WITHOUT NOTICE. IT IS CONFIDENTIAL AND A PROPERTY OF Amphenol LTW. DISCLOSURE TO THIRD PARTY HAS TO BE AUTHORIZED BY Amphenol LTW.

REV.	ECN NO.	DATE	SIGN	DESCRIPTION
E	C201450	2020/09/23	Ruru	△ _F X6
F	C210222	2021/03/19	Vicky	△ _F X4
G	C230009	2023/01/03	Vicky	△ _G X1



- △_E△_F Note:
- * RoHS Compliant
 - * \varnothing Important dimension
 - △_C△_G * Waterproof rate: IP68, mated 1m/24h
IP69K, mated
 - * Connector
 - Housing: Thermoplastic, Black
 - Pin: Copper alloy, Gold plated
 - O-Ring: Rubber, Green
 - Nut: Thermoplastic, Black
 - Outer mold: Thermoplastic, Black
 - * Cable: UL20549, PUR Jacket, Black
 - * Cable length tolerance: 1M: +50/-0 mm
 - 1M < L ≤ 3M: +100/-0 mm
 - 3M < L ≤ 5M: +150/-0 mm
 - 5M < L ≤ 10M: ±100 mm
 - 10M < L ≤ 20M: ±200 mm
 - 20M < L ≤ 30M: ±300 mm
 - 30M < L ≤ 99M: ±500 mm

UNIT: mm

TOLERANCE

±0.5mm

TITLE N SEN, M12 A -PLASTIC, SCREW CABLE W/O SR, F, F, MOLDING			△ _F
SCALE 1:1	SIZE A4	SHEET 1 OF 2	
REV. G	WC-REV. A.5	QC: Inspection item	

Amphenol LTW

安費諾亮泰企業股份有限公司

ITEM NO.	DRAWN BY Lingpeng	DATE 2017-04-06
DWG NO. △ _E MSAP-XXBFFM-SL8BXX	CHECKED BY Ma Fei	DATE 2017-04-06
CUSTOMER ALTW	APPROVED BY Jerry	DATE 2017-04-06

