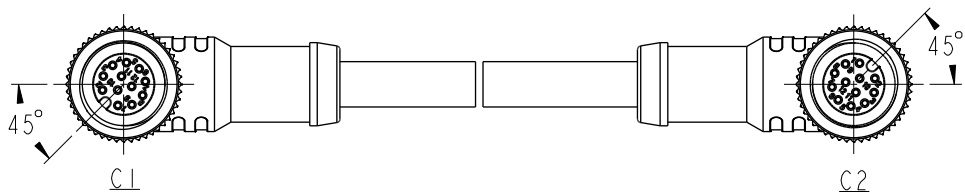
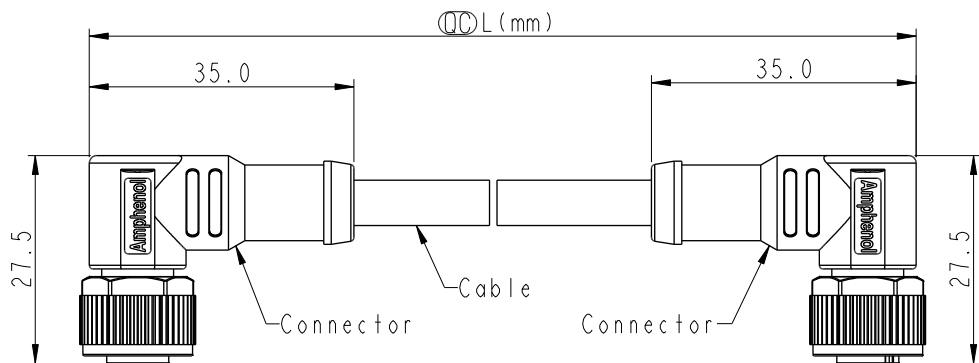


| REV. | ECN NO. | DATE | SIGN | DESCRIPTION |
|------|---------|------------|-------|------------------|
| B | C201748 | 2020/11/10 | Ruru | $\triangle B$ X5 |
| C | C210230 | 2021/04/01 | Vicky | $\triangle C$ X4 |
| D | C230018 | 2023/01/05 | Vicky | $\triangle D$ X1 |

THIS DOCUMENT IS SUBJECT TO CHANGE WITHOUT NOTICE. IT IS CONFIDENTIAL AND A PROPERTY OF Amphenol LTW. DISCLOSURE TO THIRD PARTY HAS TO BE AUTHORIZED BY Amphenol LTW.



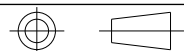
$\triangle B$ $\triangle C$

Note:

- * RoHS Compliant
- * \circledR Important dimension
- * \triangle Waterproof rate: IP68, mated 1m/24h
IP69K, mated
- * Connector
 - Housing: Thermoplastic, Black
 - Pin: Copper alloy, Gold plated
 - O-Ring: Rubber, Green
 - Nut: Thermoplastic, Black
 - Outer Mold: Thermoplastic, Black
- * Cable: UL20549, PUR Jacket, Black
- * Cable Length Tolerance:

| | |
|--------------------|-----------------|
| $0.5M < L \leq 1M$ | $\pm 60/-0$ mm |
| $1M < L \leq 3M$ | $\pm 120/-0$ mm |
| $3M < L \leq 5M$ | $\pm 160/-0$ mm |
| $5M < L \leq 10M$ | ± 100 mm |
| $10M < L \leq 20M$ | ± 200 mm |
| $20M < L \leq 30M$ | ± 300 mm |
| $30M < L \leq 99M$ | ± 500 mm |

UNIT: mm



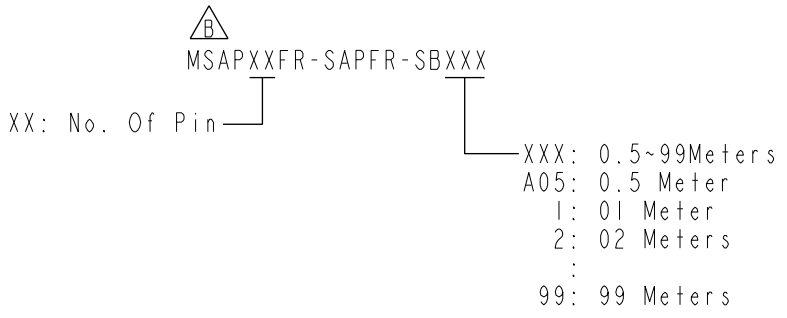
TOLERANCE
 ± 0.5 mm

| | | |
|---|------------|-------------------------------|
| TITLE ACC, SEN, A Code, DB-ENDED FF $\triangle C$ | | |
| SCALE 1:2 | SIZE A4 | SHEET 1 OF 2 |
| REV. D | WC-REV. | \circledR : Inspection item |

Amphenol LTW
安費諾亮泰企業股份有限公司

| | | |
|--|--------------------|--------------------|
| ITEM NO | DRAWN BY Ruru | DATE 2018-12-05 |
| DWG NO $\triangle B$ MSAPXXFR-SAPFR-SBXXX | CHECKED BY Rita | DATE 2018-12-05 |
| CUSTOMER ALTW | APPROVED BY Max | DATE 2018-12-05 |

THIS DOCUMENT IS SUBJECT TO CHANGE WITHOUT NOTICE. IT IS CONFIDENTIAL AND A PROPERTY OF Amphenol LTW. DISCLOSURE TO THIRD PARTY HAS TO BE AUTHORIZED BY Amphenol LTW.



| | | | |
|----------|----------|-----|----------------------|
| 12P | 6.0 | 26 | MSAP12FR-SAPFR-SBXXX |
| 10P | | | MSAP10FR-SAPFR-SBXXX |
| 8P | 4.8 | 24 | MSAP08FR-SAPFR-SBXXX |
| 6P | 5.0 | | MSAP06FR-SAPFR-SBXXX |
| 5P | 4.4 | 22 | MSAP05FR-SAPFR-SBXXX |
| 4P | 4.0 | | MSAP04FR-SAPFR-SBXXX |
| 3P | 3.8 | | MSAP03FR-SAPFR-SBXXX |
| Contacts | Cable OD | AWG | Item No. |

| Pin Out | Wire | Wire | Wire | Wire | Wire | Wire | Wire |
|-----------|---------|---------|---------|----------|----------|----------|---------------|
| 5 -- | Black 黑 | Black 黑 | Gray 灰 | -- | Red 紅 | -- | Red/Blue 紅/藍 |
| 4 Black 黑 | Blue 藍 | Black 黑 | Black 黑 | Blue 藍 | Blue 藍 | Blue 藍 | Gray/Pink 灰/粉 |
| 3 Blue 藍 | -- | Blue 藍 | Black 黑 | Yellow 黃 | Pink 粉 | Violet 紫 | Violet 紫 |
| 2 -- | Brown 棕 | White 白 | White 白 | Green 綠 | Gray 灰 | Black 黑 | Black 黑 |
| 1 Brown 棕 | Brown 棕 | Brown 棕 | Brown 棕 | Brown 棕 | Yellow 黃 | Red 紅 | Red 紅 |
| | | | | | Green 綠 | Blue 藍 | Blue 藍 |
| | | | | | Brown 棕 | Pink 粉 | Pink 粉 |
| | | | | | White 白 | Gray 灰 | Gray 灰 |
| | | | | | | Yellow 黃 | Yellow 黃 |
| | | | | | | Green 綠 | Green 綠 |
| | | | | | | Brown 棕 | Brown 棕 |
| | | | | | | White 白 | White 白 |

Pin Assignments Front View

| | | | | | | | | |
|--------------------------------|---|------------|---|--|---------------------|----------------------|--------------------|--------------------|
| UNIT:mm TOLERANCE ±0.5mm | TITLE ACC, SEN, A Code, DB-ENDED FF | |  | <h1>Amphenol LTW</h1> <p>安費諾亮泰企業股份有限公司</p> | ITEM NO | DRAWN BY | DATE | |
| | SCALE 1:2 | SIZE A4 | | | SHEET 2 OF 2 | MSAPXXFR-SAPFR-SBXXX | Ruru | 2018-12-05 |
| | REV. D | WC-REV. | | | QC: Inspection item | CUSTOMER ALTW | CHECKED BY Rita | DATE 2018-12-05 |
| | | | | | APPROVED BY Max | DATE 2018-12-05 | | |