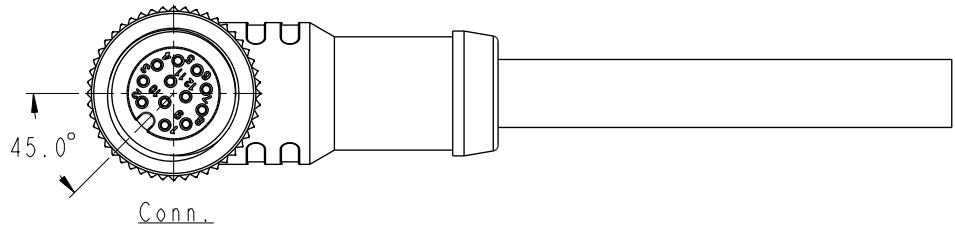
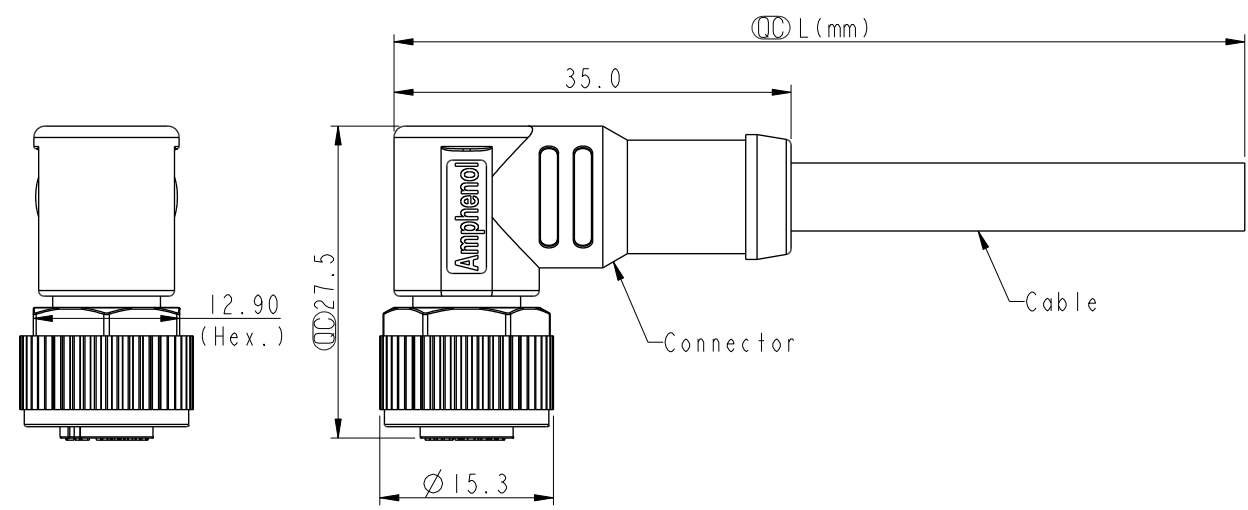


THIS DOCUMENT IS SUBJECT TO CHANGE WITHOUT NOTICE. IT IS CONFIDENTIAL AND A PROPERTY OF Amphenol LTW. DISCLOSURE TO THIRD PARTY HAS TO BE AUTHORIZED BY Amphenol LTW.

REV.	ECN NO.	DATE	SIGN	DESCRIPTION
E	C201451	2020/10/12	Ruru	△E X5
F	C210222	2021/03/19	Vicky	△F X4
G	C230008	2023/01/04	Vicky	△G X1



- Note:
- \* RoHS Compliant
  - \*  $\text{⌀}$  Important dimension
  - \*  $\triangle C \triangle G$  Waterproof rate: IP68, mated 1m/24h  
IP69K, mated
  - \* Connector
    - Housing: Thermoplastic, Black
    - Pin: Copper alloy, Gold plated
    - O-Ring: Rubber, Green
  - \*  $\triangle B$  Nut: Thermoplastic, Black
  - \* Outer mold: Thermoplastic, Black
  - \* Cable: UL20549, PUR Jacket, Black
  - \* Cable length tolerance: 1M: +50/-0 mm
    - 1M < L ≤ 3M: +100/-0 mm
    - 3M < L ≤ 5M: +150/-0 mm
    - 5M < L ≤ 10M: ±100 mm
    - 10M < L ≤ 20M: ±200 mm
    - 20M < L ≤ 30M: ±300 mm
    - 30M < L ≤ 99M: ±500 mm

UNIT: mm

TOLERANCE

±0.5mm

TITLE N SEN, M12 A -PLASTIC, SCREW CABLE W/O SR, F, F, MOLDING			$\triangle E$
SCALE 3:2	SIZE A4	SHEET 1 OF 2	
REV. G	WC-REV. A.3	$\text{⌀}$ : Inspection item	

**Amphenol LTW**  
安費諾亮泰企業股份有限公司

ITEM NO	DRAWN BY Lingpeng	DATE 2017-04-06
DWG NO $\triangle E$ MSAP-XXBFFM-SR8BXX	CHECKED BY Ma Fei	DATE 2017-04-06
CUSTOMER ALTW	APPROVED BY Jerry	DATE 2017-04-06

