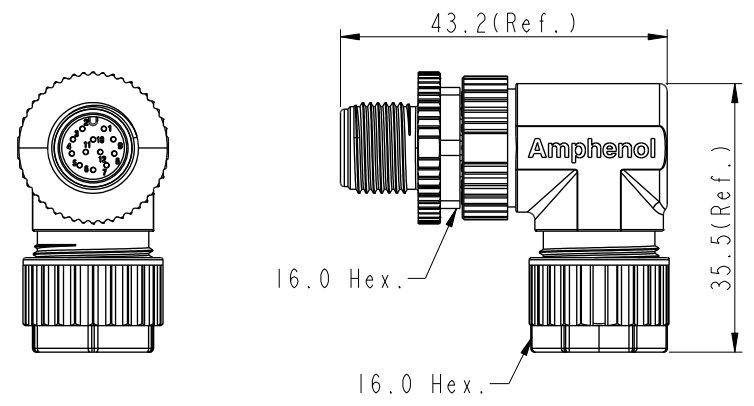
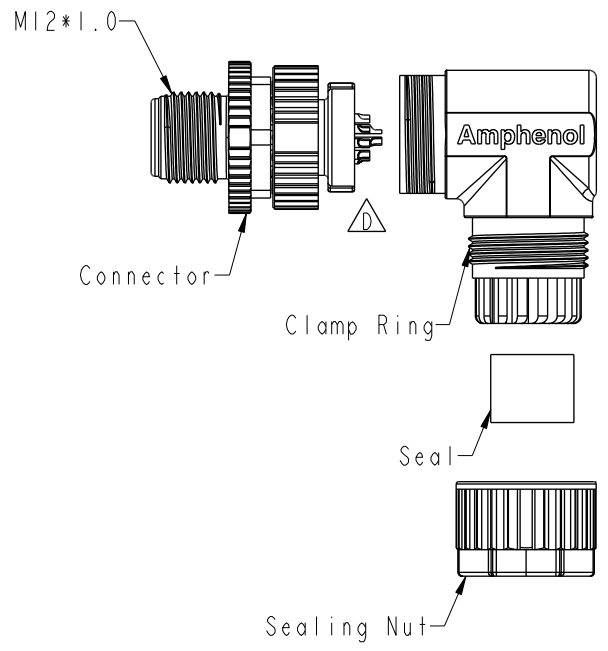


THIS DOCUMENT IS SUBJECT TO CHANGE WITHOUT NOTICE. IT IS CONFIDENTIAL AND A PROPERTY OF Amphenol LTW. DISCLOSURE TO THIRD PARTY HAS TO BE AUTHORIZED BY Amphenol LTW.

REV.	ECN NO.	DATE	SIGN	DESCRIPTION
D	C200793	2020/06/03	JC Chen	△D XI
E	C210561	2021/04/14	Vicky	△E X3
F	C230008	2023/01/04	Vicky	△E XI

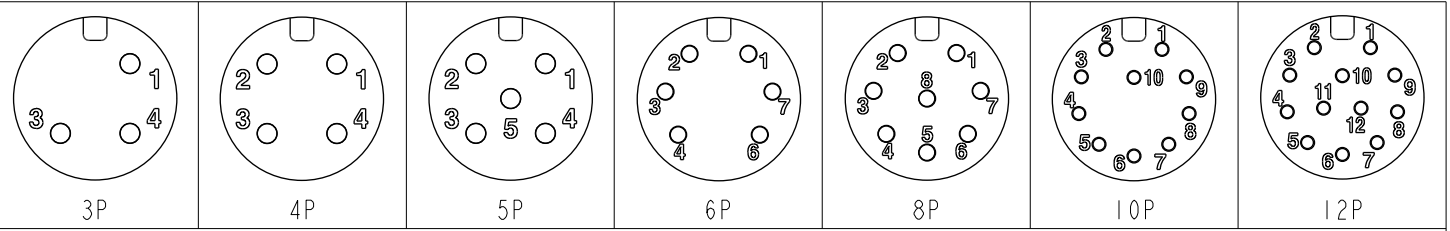


△C △E MSAP-XXBMM-A-SR7001
 XX: No. Of Pin

△C △E

Note:

- * RoHS Compliant
- * Important Dimension
- * △F Waterproof rate: IP67, mated Connector
- Housing: Thermoplastic, Black
- Pin: Copper alloy, Gold plated
- Extension Nut: Thermoplastic, Black
- Nut: Thermoplastic, Black
- O-Ring: Rubber, Gray
- * Clamp Ring: Thermoplastic, Black
- * Sealing Nut: Thermoplastic, Black
- * Seal: Rubber, Gray, OD: $\varnothing 4.0\text{mm} \sim \varnothing 7.0\text{mm}$
- * One set unassembled in one pe bag



Pin Assignments Front View

UNIT: mm	
TOLERANCE	
.X	±0.25
.XX	±0.1
.XXX	±0.05
ANGLES	±1°

TITLE N SEN, M12 A -PLASTIC, SCREW CABLE W/O SR, M, M, FI SOLDER			
SCALE 1:1	SIZE A4	SHEET 1 OF 1	
REV. F	WC-REV. .0	Inspection item	

Amphenol LTW
 安費諾亮泰企業股份有限公司

ITEM NO.	DRAWN BY Mila	DATE 2015-09-16
DWG NO. MSAP-XXBMM-A-SR7001	CHECKED BY Cary	DATE 2015-09-16
CUSTOMER ALTW	APPROVED BY Jerry	DATE 2015-09-16