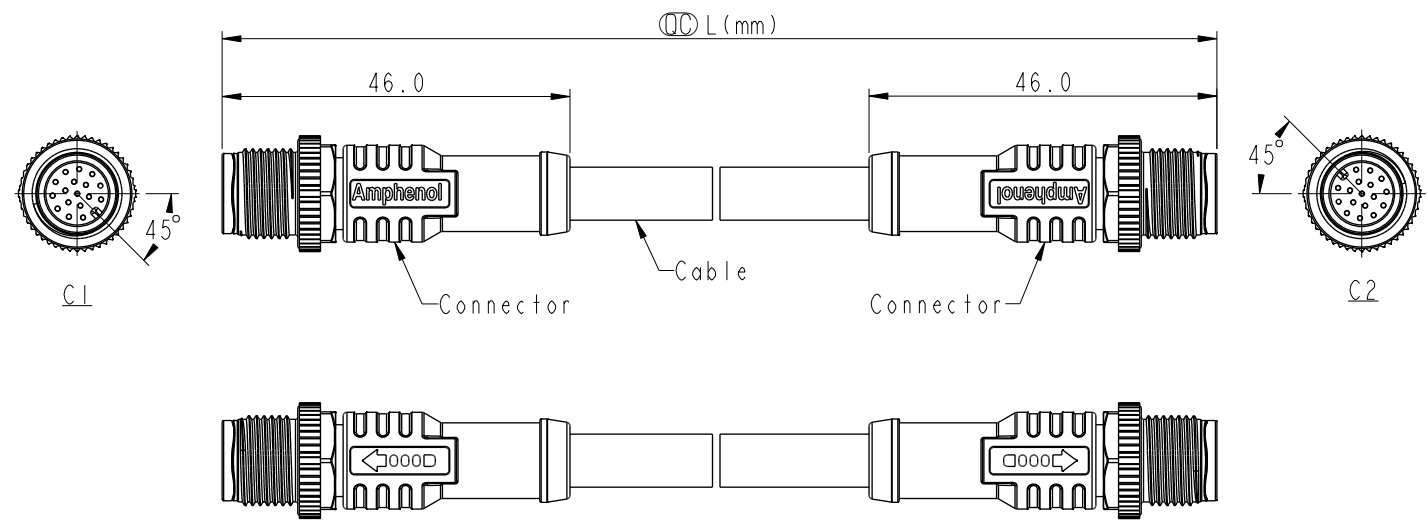


THIS DOCUMENT IS SUBJECT TO CHANGE WITHOUT NOTICE. IT IS CONFIDENTIAL AND A PROPERTY OF Amphenol LTW. DISCLOSURE TO THIRD PARTY HAS TO BE AUTHORIZED BY Amphenol LTW.

REV.	ECN NO.	DATE	SIGN	DESCRIPTION
B	C201759 & 60	2020/11/17	Vicky	△B X5
C	C210231	2021/04/06	Vicky	△C X4
D	C230013	2023/01/06	Vicky	△D X1



- △B △C  
 Note:  
 \* RoHS Compliant  
 \*  $\text{Ⓛ}$  Important dimension  
 \* △D \* Waterproof rate: IP68, mated 1m/24h  
 IP69K, mated
- \* Connector
    - Housing: Thermoplastic, Black
    - Pin: Copper alloy, Gold plated
    - Nut: Thermoplastic, Black
    - Outer Mold: Thermoplastic, Black
  - \* Cable: UL20549, PUR Jacket, Black
  - \* Cable Length Tolerance:
 

0.5M < L ≤ 1M	: +60/-0 mm
1M < L ≤ 3M	: +120/-0 mm
3M < L ≤ 5M	: +160/-0 mm
5M < L ≤ 10M	: ±100 mm
10M < L ≤ 20M	: ±200 mm
20M < L ≤ 30M	: ±300 mm
30M < L ≤ 99M	: ±500 mm

UNIT: mm			TITLE ACC, SEN, A Code, DB-ENDED MM	△C
TOLERANCE ±0.5mm	SCALE 1:2	SIZE A4	SHEET 1 OF 2	REV. D
	WC-REV. A.5	Ⓛ: Inspection item		

**Amphenol LTW**  
 安費諾亮泰企業股份有限公司

ITEM NO.	DRAWN BY Vicky	DATE 2018-12-05
DWG NO. △B MSAPXXML-SAPML-SBXXX	CHECKED BY Rita	DATE 2018-12-05
CUSTOMER ALTW	APPROVED BY Max	DATE 2018-12-05

THIS DOCUMENT IS SUBJECT TO CHANGE WITHOUT NOTICE. IT IS CONFIDENTIAL AND A PROPERTY OF Amphenol LTW. DISCLOSURE TO THIRD PARTY HAS TO BE AUTHORIZED BY Amphenol LTW.

F	2	3	4	5	6	7	8	△B	17P	7.0	26	MSAP17ML-SAPML-SBXXX
								12P	6.0	MSAP12ML-SAPML-SBXXX		
10P	MSAP10ML-SAPML-SBXXX											
E	XX: No. Of Pin	MSAPXXML-SAPML-SBXXX	XXX: 0.5~99Meters A05: 0.5 Meter 1: 01 Meter 2: 02 Meters : 99: 99 Meters	△C	Contacts	Cable OD	AWG	Item No.				
					8P	4.8	24	MSAP08ML-SAPML-SBXXX				
					6P	5.0		MSAP06ML-SAPML-SBXXX				
					5P	4.4	22	MSAP05ML-SAPML-SBXXX				
					4P	4.0		MSAP04ML-SAPML-SBXXX				
					3P	3.8		MSAP03ML-SAPML-SBXXX				

D	Pin Out	5 --		5 --		5 Gray		8 --		8 Red		12 --		12 Red/Blue		17 White/Gray																					
		4 Black	3 Blue	3 Black	2 White	1 Brown	4 Black	3 Blue	2 White	1 Brown	7 Blue	6 Pink	5 Gray	4 Yellow	3 Green	2 Brown	1 White	11 Yellow/Brown																			
C	Pin #	Wire	Pin #	Wire	Pin #	Wire	Pin #	Wire	Pin #	Wire	Pin #	Wire	Pin #	Wire	Pin #	Wire	Pin #	Wire																			
																			3 Blue	2 --	1 Brown	4 Black	3 Blue	2 White	1 Brown	7 Blue	6 Pink	5 Gray	4 Yellow	3 Green	2 Brown	1 White	11 Gray/Pink	10 Violet	9 Black	8 Red	7 Blue
B	C1 & C2	3P		4P		5P		6P		8P		10P		12P		17P																					

Pin Assignments Front View

A	UNIT:mm		TITLE	ACC, SEN, A Code, DB-ENDED	△C	ITEM NO	MSAPXXML-SAPML-SBXXX	DRAWN BY	Vicky	DATE	2018-12-05	
	TOLERANCE	±0.5mm	SCALE	1:2	SIZE	A4	SHEET	2 OF 2	CHECKED BY	Rita	DATE	2018-12-05
	REV.	D	WC-REV.	A.5	QC	Inspection item	CUSTOMER	ALTW	APPROVED BY	Max	DATE	2018-12-05
				<h2 style="text-align: center;">Amphenol LTW</h2> <p style="text-align: center;">安費諾亮泰企業股份有限公司</p>								