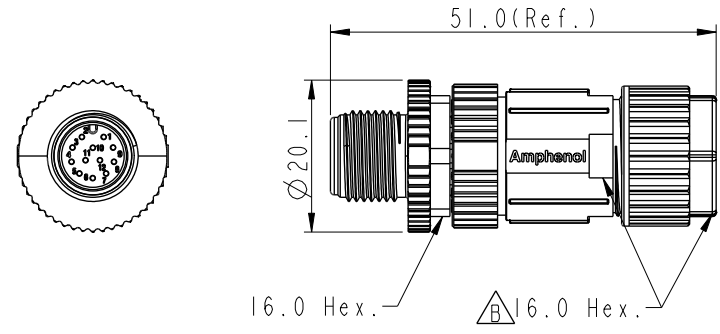
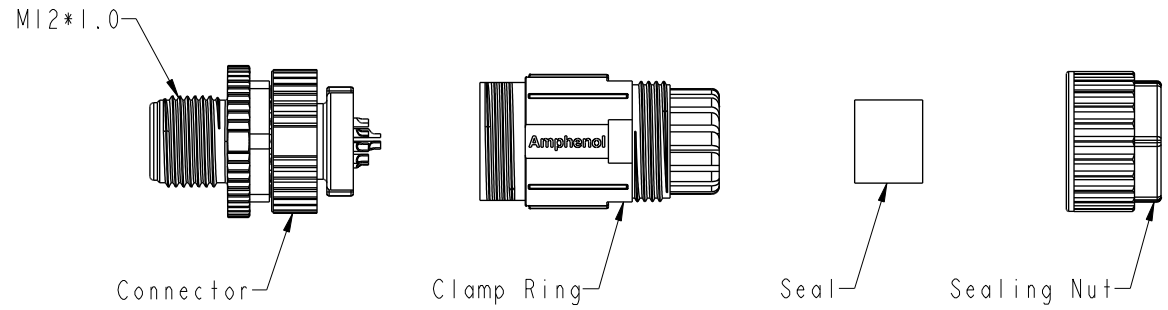


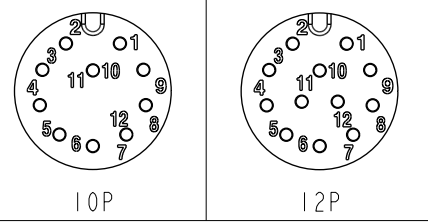
THIS DOCUMENT IS SUBJECT TO CHANGE WITHOUT NOTICE. IT IS CONFIDENTIAL AND A PROPERTY OF Amphenol LTW. DISCLOSURE TO THIRD PARTY HAS TO BE AUTHORIZED BY Amphenol LTW.

REV.	ECN NO.	DATE	SIGN	DESCRIPTION
C	C201647	2020/10/23	Vicky	X4
D	C210561	2021/04/14	Vicky	X2
E	C230008	2023/01/04	Vicky	X1

△ MSAP-XXBMMMA-SL7001  
 XX: No. Of Pin



- △C △D  
 Note:
- \* RoHS Compliant
  - \* Ⓞ Important Dimension
  - \* Waterproof rate: IP67, mated
  - \* Connector
    - Housing: Thermoplastic, Black
    - Pin: Copper alloy, Gold plated
    - Extension Nut: Thermoplastic, Black
  - \* Nut: Thermoplastic, Black
  - \* O-Ring: Rubber, Gray
  - \* Clamp Ring: Thermoplastic, Black
  - \* Sealing Nut: Thermoplastic, Black
  - \* Seal: Rubber, Gray, OD:Ø4.0mm~Ø8.0mm
  - \* One set unassembled in one pe bag



Pin Assignments Front View

UNIT:mm			TITLE N SEN, M12 A -PLASTIC, SCREW CABLE W/O SR, M, M, FI SOLDER
TOLERANCE	.X ±0.25	.XX ±0.1	SCALE 1:1
.XXX ±0.05	ANGLES ±1°	REV. E	SIZE A4
		WC-REV. A.2	SHEET 1 OF 1
		Ⓞ: Inspection item	

**Amphenol LTW**  
 安費諾亮泰企業股份有限公司

ITEM NO	DRAWN BY Mila	DATE 2015-09-16
DWG NO △ MSAP-XXBMMMA-SL7001	CHECKED BY Cary	DATE 2015-09-16
CUSTOMER ALTW	APPROVED BY Jerry	DATE 2015-09-16