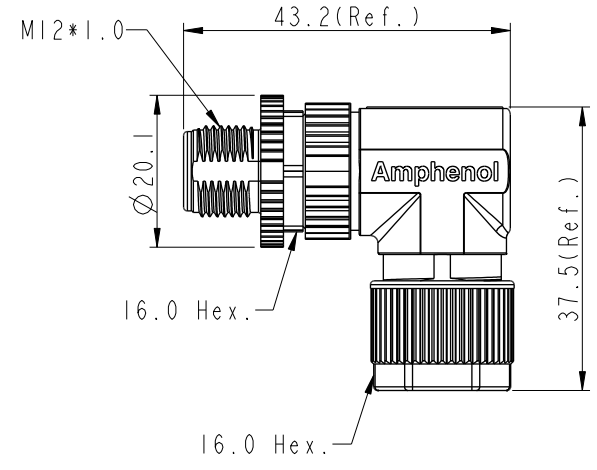
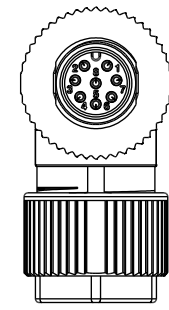
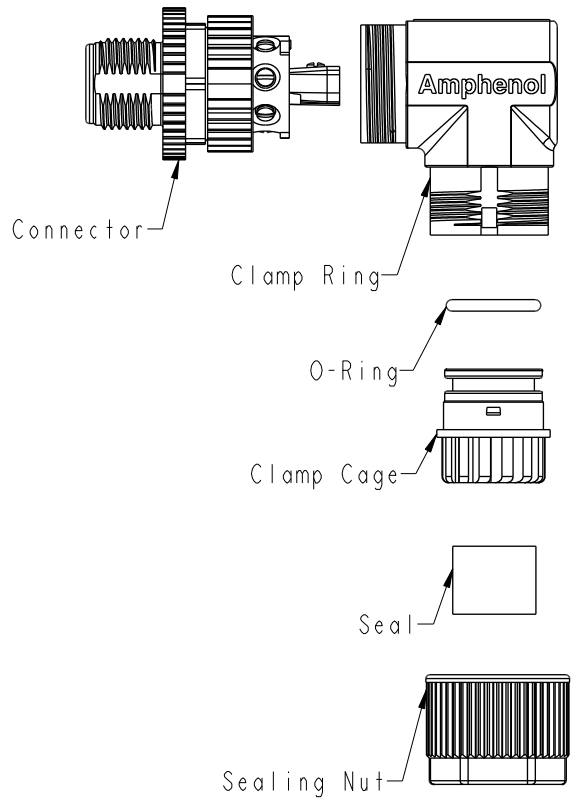


THIS DOCUMENT IS SUBJECT TO CHANGE WITHOUT NOTICE. IT IS CONFIDENTIAL AND A PROPERTY OF Amphenol LTW. DISCLOSURE TO THIRD PARTY HAS TO BE AUTHORIZED BY Amphenol LTW.

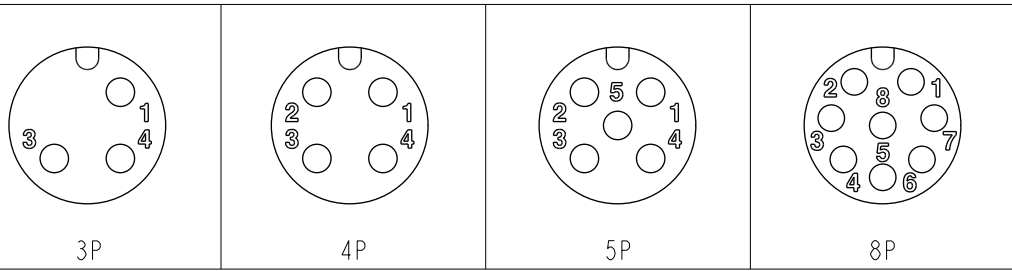
REV.	ECN NO.	DATE	SIGN	DESCRIPTION
B	C210561	2021/04/15	Vicky	$\triangle B$ X4
C	C221953	2022/12/16	Ruru	$\triangle C$ X1



$\triangle B$
MSAS-XXBMMB-SR7001

XX: No. Of Pin

- Note:
- * RoHS Compliant
 - * $\text{\textcircled{O}}$ Important Dimension
 - * $\triangle C$ Waterproof rate: IP67, mated Connector
 - Housing: Thermoplastic, Black
 - Pin: Copper alloy, Gold plated
 - Extension Nut: Metal
 - Nut: Metal
 - O-Ring: Rubber, Gray
 - * Clamp Ring: Metal
 - * O-Ring: Rubber, Gray
 - * Clamp Cage: Thermoplastic, Black
 - * Sealing Nut: Metal
 - * Seal: Rubber, Gray, OD: $\phi 4.0\text{mm} \sim \phi 7.0\text{mm}$
 - * One set unassembled in one pe bag



Pin Assignments Front View

UNIT: mm	$\text{\textcircled{O}}$	$\text{\textcircled{O}}$	TITLE N SEN, MI2 A -SHLD, SCREW CABLE W/O SR, M, M, FI SCREW IN $\triangle B$
TOLERANCE .X ± 0.25 .XX ± 0.1 .XXX ± 0.05 ANGLES $\pm 1^\circ$	$\triangle B$	SCALE 1:1	SIZE A4
		REV. C	WC-REV. A.3
			$\text{\textcircled{O}}$: Inspection item

Amphenol LTW
安費諾亮泰企業股份有限公司

ITEM NO	DRAWN BY Mila	DATE 2015-09-30
DWG NO MSAS-XXBMMB-SR7001	CHECKED BY Cary	DATE 2015-09-30
CUSTOMER ALTW	APPROVED BY Jerry	DATE 2015-09-30