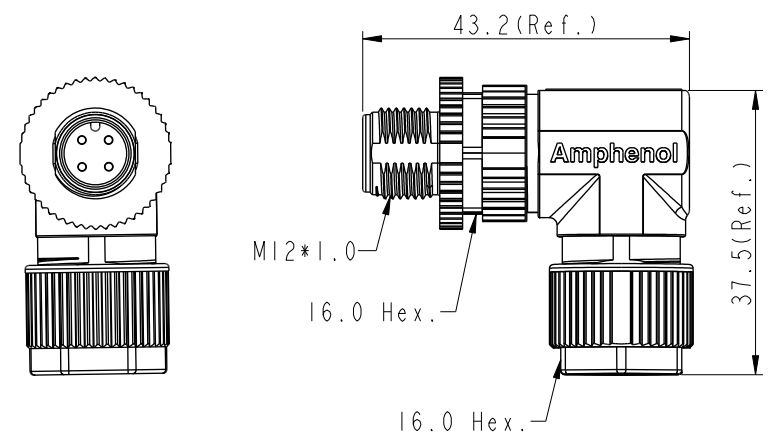
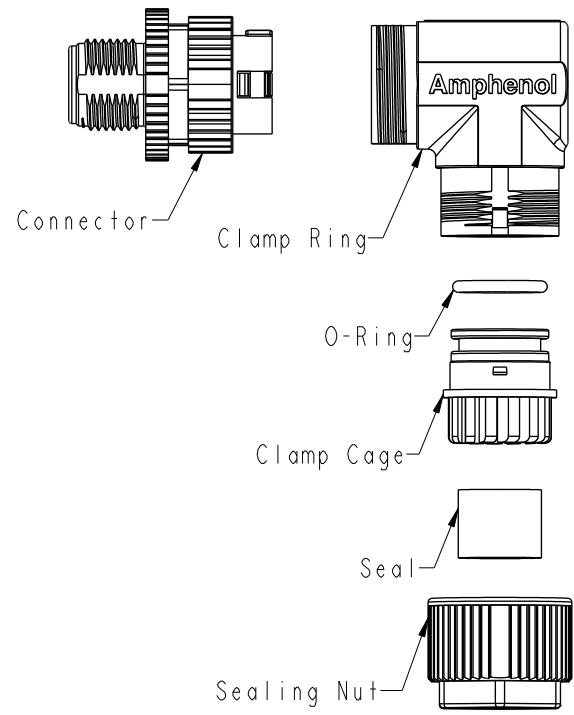


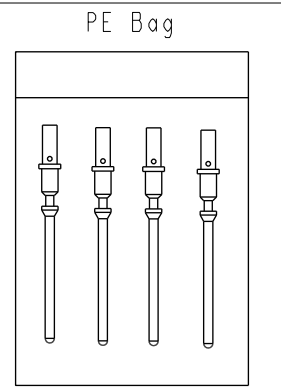
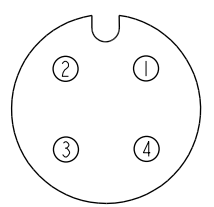
THIS DOCUMENT IS SUBJECT TO CHANGE WITHOUT NOTICE. IT IS CONFIDENTIAL AND A PROPERTY OF AMPHENOL LTW. DISCLOSURE TO THIRD PARTY HAS TO BE AUTHORIZED BY AMPHENOL LTW.

REV.	ECN NO.	DATE	SIGN	DESCRIPTION
E	C210561	2021/04/15	Vicky	$\triangle E$ X3
F	C210977	2021/06/23	Vicky	$\triangle F$ XI
G	C221877	2022/12/12	Ruru	$\triangle G$ XI



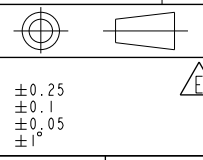
- $\triangle C$   $\triangle E$   
 Note:  
 \* RoHS Compliant  
 \*  $\text{CC}$  Important Dimension  
 $\triangle G$  \* Waterproof rate: IP67, mated  
 \* Connector  
 Housing: Thermoplastic, Black  
 Pin: Copper alloy, Gold plated  
 Extension Nut: Metal  
 Nut: Metal  
 O-Ring: Rubber, Gray  
 $\triangle D$  \* Clamp Ring: Metal  
 \* O-Ring: Rubber, Gray  
 \* Clamp Cage: Thermoplastic, Black  
 $\triangle D$  \* Sealing Nut: Metal  
 $\triangle B$  \* Seal: Rubber, Gray, OD:  $\varnothing 4.0\text{mm} \sim \varnothing 7.0\text{mm}$   
 $\triangle F$  \* Applicable wire gauge: 20AWG~24AWG  
 \* One set unassembled in one pe bag

$\triangle C$  MSAS-XXBMMC-SR7001  
 XX: No. Of Pin



UNIT:mm

TOLERANCE	
.X	$\pm 0.25$
.XX	$\pm 0.1$
.XXX	$\pm 0.05$
ANGLES	$\pm 1^\circ$



TITLE N SEN, M12 A -SHLD, SCREW CABLE W/O SR, M, M, FI/PANEL CRIMP			
SCALE Free	SIZE A4	SHEET 1 OF 1	
REV. G	WC-REV. .0	$\text{CC}$ : Inspection item	

**Amphenol LTW**  
 安費諾亮泰企業股份有限公司

ITEM NO	DRAWN BY Xiaofeng	DATE 2020/03/09
DWG NO $\triangle C$ MSAS-XXBMMC-SR7001	CHECKED BY Li-Feng	DATE 2020/03/09
CUSTOMER ALTW	APPROVED BY Jerry	DATE 2020/03/09