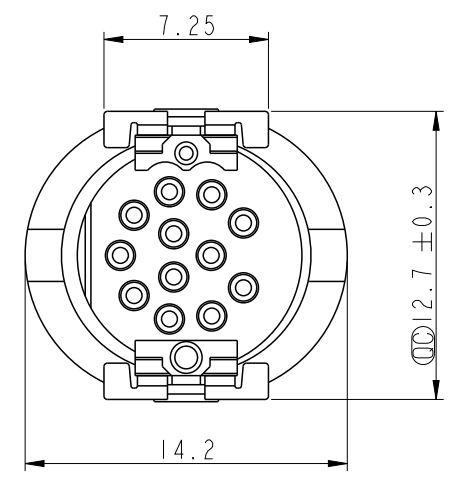
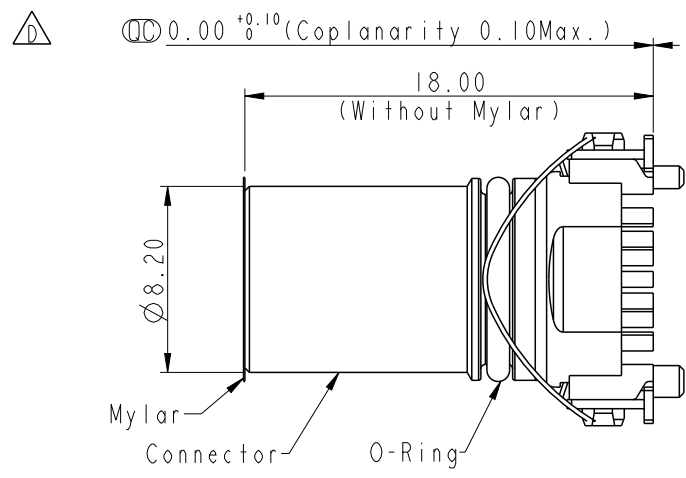


THIS DOCUMENT IS SUBJECT TO CHANGE WITHOUT NOTICE. IT IS CONFIDENTIAL AND A PROPERTY OF AMPHENOL LTW. DISCLOSURE TO THIRD PARTY HAS TO BE AUTHORIZED BY AMPHENOL LTW.

| REV. | ECN NO. | DATE       | SIGN    | DESCRIPTION |
|------|---------|------------|---------|-------------|
| B    | C210309 | 2021/03/10 | Ruru    | △B x6       |
| C    | C240342 | 2024/04/12 | Vicky   | △C x1       |
| D    | C240766 | 2024/07/05 | Yunchen | △D x8       |

△B  
MSAS-XXPFFT-EE0001  
XX: No. Of Pin

△D This connector design is for pin:4~12



△D △B Note:

- \* RoHS Compliant
- \* (C) Important dimension
- \* Waterproof rate: Non-Waterproof
- \* Connector
- Housing: Thermoplastic, Black
- Pin: Copper Alloy, Gold Plated
- Ground: Copper Alloy, Tin Plated
- Spring: Metal
- O-Ring: Silicone, Black
- Mylar: PI, Amber

|           |       |  |
|-----------|-------|--|
| UNIT: mm  |       |  |
| TOLERANCE |       |  |
| .X        | ±0.25 |  |
| .XX       | ±0.1  |  |
| .XXX      | ±0.05 |  |
| ANGLES    | ±1°   |  |

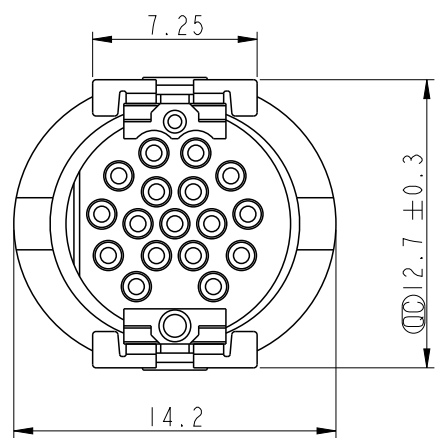
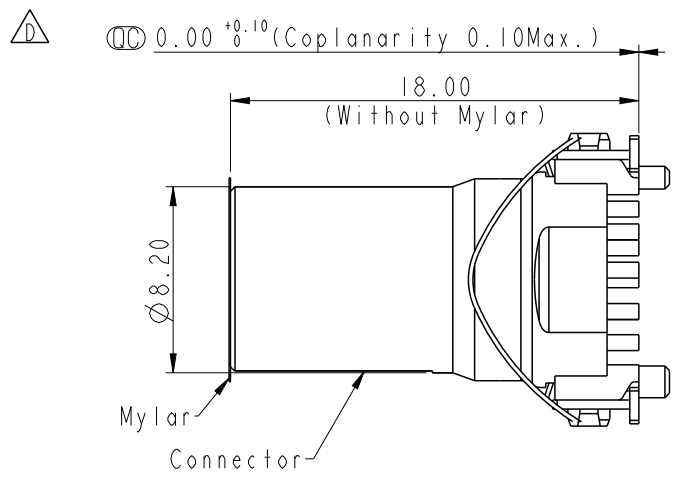
|  |                |                      |
|--|----------------|----------------------|
| TITLE<br>N SEN, M12 A -SHLD, NONE RECEPTACLE, F, F, PCB SMT △B |                |                      |
| SCALE<br>4:1   | SIZE<br>A4     | SHEET<br>1 OF 5      |
| REV.<br>D  | WC-REV.<br>A.1 | (C): Inspection item |

**Amphenol LTW**  
安費諾亮泰企業股份有限公司

|                              |                     |                    |
|------------------------------|---------------------|--------------------|
| ITEM NO                      | DRAWN BY<br>Yunchen | DATE<br>2024/07/05 |
| DWG NO<br>MSAS-XXPFFT-EE0001 | CHECKED BY<br>Aric  | DATE<br>2024/07/05 |
| CUSTOMER<br>ALTW             | APPROVED BY<br>Fred | DATE<br>2024/07/05 |

THIS DOCUMENT IS SUBJECT TO CHANGE WITHOUT NOTICE. IT IS CONFIDENTIAL AND A PROPERTY OF Amphenol LTW. DISCLOSURE TO THIRD PARTY HAS TO BE AUTHORIZED BY Amphenol LTW.

△ This connector design is for pin:17



△ Note:

- \* RoHS Compliant
- \* Important dimension
- \* Waterproof rate: Non-Waterproof
- \* Connector

Housing: Thermoplastic, Black  
 Pin: Copper Alloy, Gold Plated  
 Ground: Copper Alloy, Tin Plated  
 Spring: Metal  
 Mylar: PI, Amber

|           |       |  |
|-----------|-------|--|
| UNIT: mm  |       |  |
| TOLERANCE |       |  |
| .X        | ±0.25 |  |
| .XX       | ±0.1  |  |
| .XXX      | ±0.05 |  |
| ANGLES    | ±1°   |  |

|  |                |                    |
|--|----------------|--------------------|
| TITLE<br>N SEN, M12 A -SHLD, NONE<br>RECEPTACLE, F, F, PCB SMT |                |                    |
| SCALE<br>4:1   | SIZE<br>A4     | SHEET<br>2 OF 5    |
| REV.<br>D  | WC-REV.<br>A.1 | Ⓞ: Inspection item |

**Amphenol LTW**  
 安費諾亮泰企業股份有限公司

|                              |                     |                    |
|------------------------------|---------------------|--------------------|
| ITEM NO                      | DRAWN BY<br>Yunchen | DATE<br>2024/07/05 |
| DWG NO<br>MSAS-XXPFPT-EE0001 | CHECKED BY<br>Aric  | DATE<br>2024/07/05 |
| CUSTOMER<br>ALTW             | APPROVED BY<br>Fred | DATE<br>2024/07/05 |

THIS DOCUMENT IS SUBJECT TO CHANGE WITHOUT NOTICE. IT IS CONFIDENTIAL AND A PROPERTY OF Amphenol LTW. DISCLOSURE TO THIRD PARTY HAS TO BE AUTHORIZED BY Amphenol LTW.

2 3 4 5 6 7 8

F

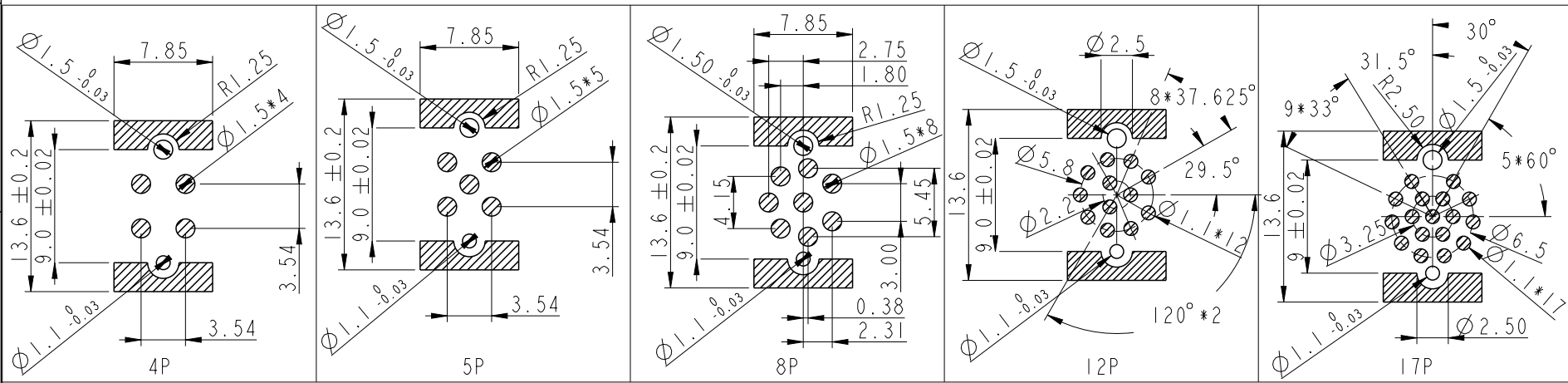
E

D

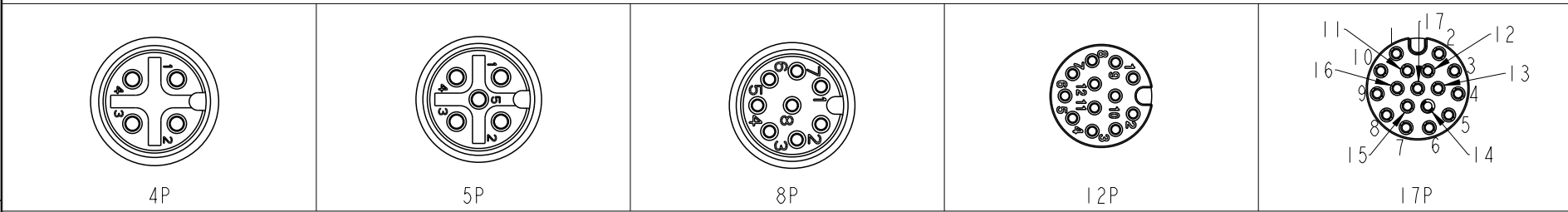
C

B

A



PCB Layout



Pin Assignment Front View

|           |      |       |
|-----------|------|-------|
| UNIT: mm  |      |       |
| TOLERANCE | .X   | ±0.25 |
|           | .XX  | ±0.1  |
|           | .XXX | ±0.05 |
| ANGLES    |      | ±1°   |

|   |      |         |        |
|---|------|---------|--------|
| TITLE<br>N SEN, M12 A -SHLD, NONE RECEPTACLE, F, F, PCB SMT |      |         |        |
| SCALE   | FREE | SIZE    | A4     |
|   |      | SHEET   | 3 OF 5 |
| REV.  | D    | WC-REV. | A.1    |
| ☉: Inspection item  |      |         |        |

**Amphenol LTW**  
安費諾亮泰企業股份有限公司

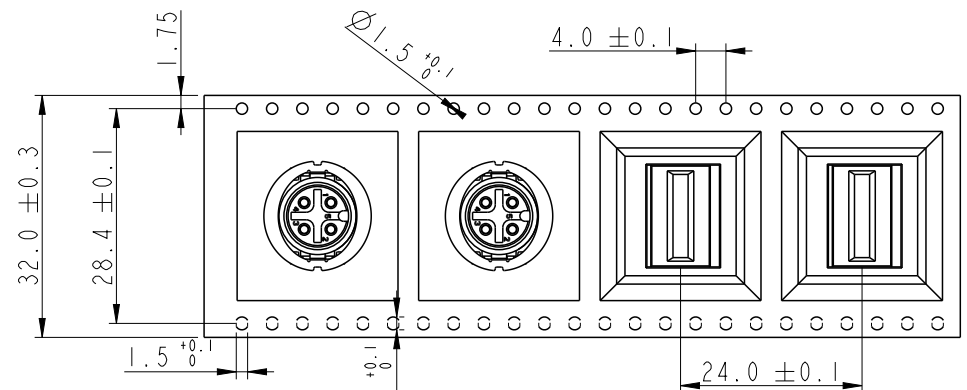
|          |                    |
|----------|--------------------|
| ITEM NO  | DWG NO             |
|          | MSAS-XXPFFT-EE0001 |
| CUSTOMER | ALTW               |

|             |         |
|-------------|---------|
| DRAWN BY    | Yunchen |
| CHECKED BY  | Aric    |
| APPROVED BY | Fred    |

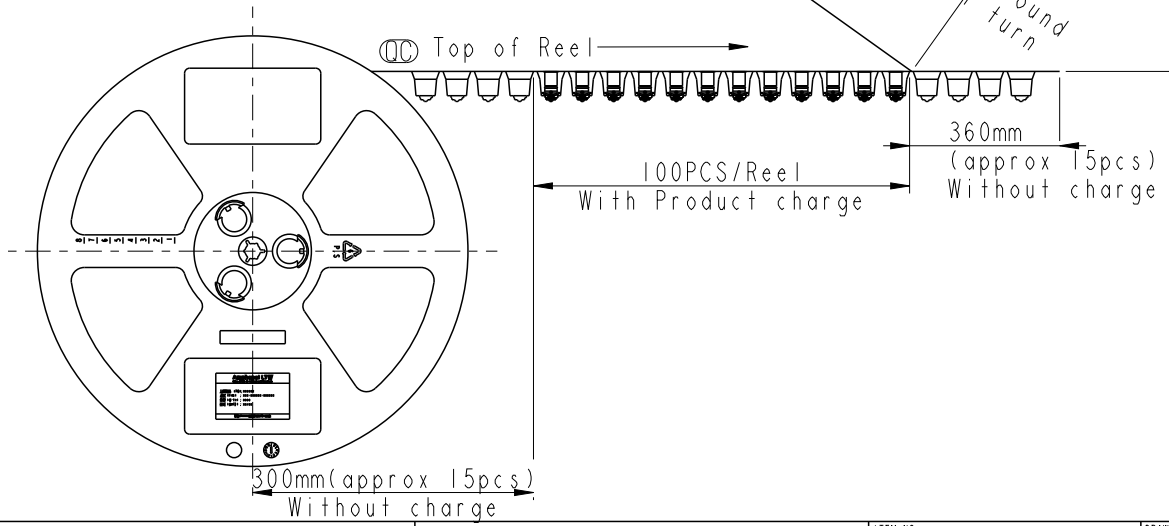
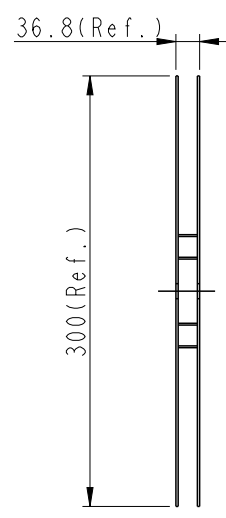
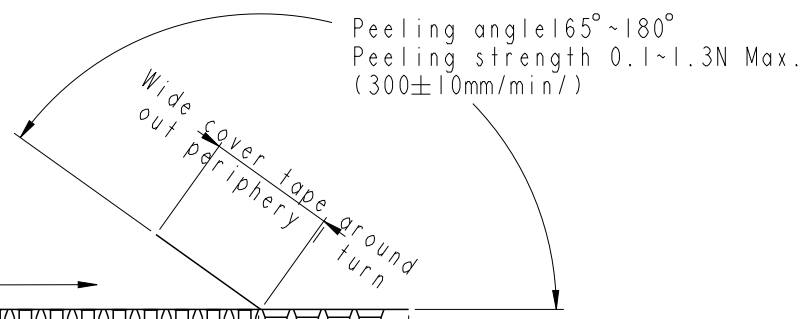
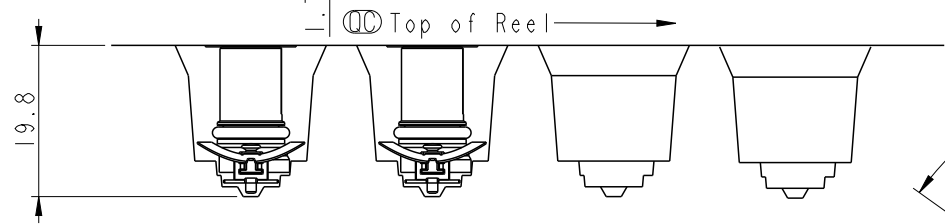
|      |            |
|------|------------|
| DATE | 2024/07/05 |
| DATE | 2024/07/05 |
| DATE | 2024/07/05 |

2 3 4 5 6 7 8 W10814-03-001A2

THIS DOCUMENT IS SUBJECT TO CHANGE WITHOUT NOTICE. IT IS CONFIDENTIAL AND A PROPERTY OF Amphenol LTW. DISCLOSURE TO THIRD PARTY HAS TO BE AUTHORIZED BY Amphenol LTW.



NOTE:  
 \* Connector Orient follow Drawing



|           |      |       |
|-----------|------|-------|
| UNIT: mm  |      |       |
| TOLERANCE | .X   | ±0.25 |
|           | .XX  | ±0.1  |
|           | .XXX | ±0.05 |
| ANGLES    |      | ±1°   |

|   |      |         |                 |
|---|------|---------|-----------------|
| TITLE<br>N SEN, M12 A -SHLD, NONE RECEPTACLE, F, F, PCB SMT |      |         |                 |
| SCALE   | FREE | SIZE    | A4              |
|   |      | SHEET   | 4 OF 5          |
| REV.  | D    | WC-REV. | A.1             |
|   |      |         | Inspection item |

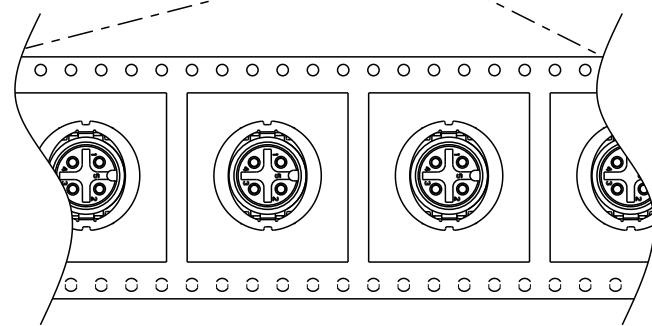
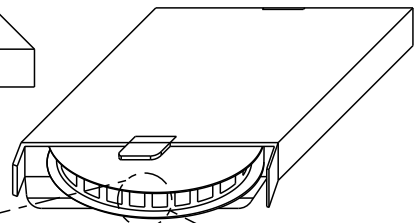
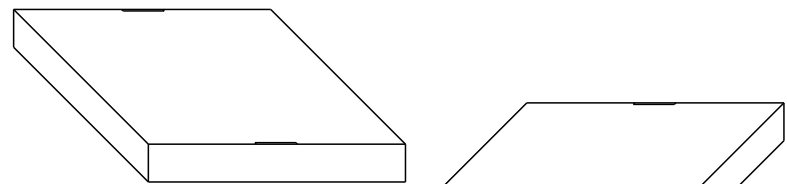
**Amphenol LTW**  
 安費諾亮泰企業股份有限公司

|          |                    |
|----------|--------------------|
| ITEM NO  |                    |
| DWG NO   | MSAS-XXPFFT-EE0001 |
| CUSTOMER | ALTW               |

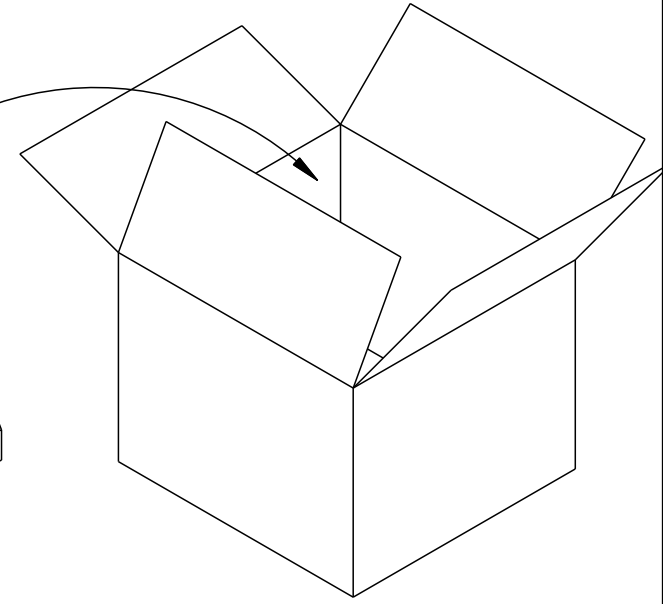
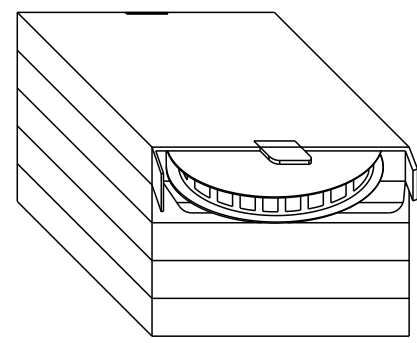
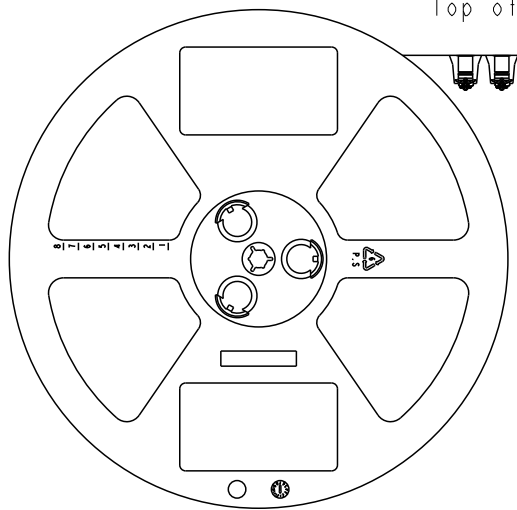
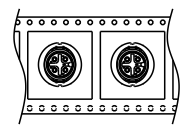
|             |         |
|-------------|---------|
| DRAWN BY    | Yunchen |
| CHECKED BY  | Aric    |
| APPROVED BY | Fred    |

|      |            |
|------|------------|
| DATE | 2024/07/05 |
| DATE | 2024/07/05 |
| DATE | 2024/07/05 |

THIS DOCUMENT IS SUBJECT TO CHANGE WITHOUT NOTICE. IT IS CONFIDENTIAL AND A PROPERTY OF AMPHENOL LTW. DISCLOSURE TO THIRD PARTY HAS TO BE AUTHORIZED BY AMPHENOL LTW.



Top of Reel →



Note:  
 100 PCS(Connector)/Tape&Reel Put in a Box  
 5PCS(Max.) Box Put in a Carton

|           |       |  |
|-----------|-------|--|
| UNIT: mm  |       |  |
| TOLERANCE |       |  |
| .X        | ±0.25 |  |
| .XX       | ±0.1  |  |
| .XXX      | ±0.05 |  |
| ANGLES    | ±1°   |  |

|   |         |                    |    |
|---|---------|--------------------|----|
| TITLE<br>N SEN, M12 A -SHLD, NONE RECEPTACLE, F, F, PCB SMT |         |                    |    |
| SCALE   | SIZE    | SHEET              | OF |
| FREE  | A4      | 5                  | 5  |
| REV.  | WC-REV. | ◎: Inspection item |    |
| D   | A.1     |                    |    |

**Amphenol LTW**  
 安費諾亮泰企業股份有限公司

|          |             |
|----------|-------------|
| ITEM NO  | DRAWN BY    |
| DWG NO   | CHECKED BY  |
| CUSTOMER | APPROVED BY |
| ALTW     | Fred        |

|            |
|------------|
| DATE       |
| DATE       |
| DATE       |
| 2024/07/05 |
| 2024/07/05 |
| 2024/07/05 |

|            |
|------------|
| DATE       |
| DATE       |
| DATE       |
| 2024/07/05 |
| 2024/07/05 |
| 2024/07/05 |