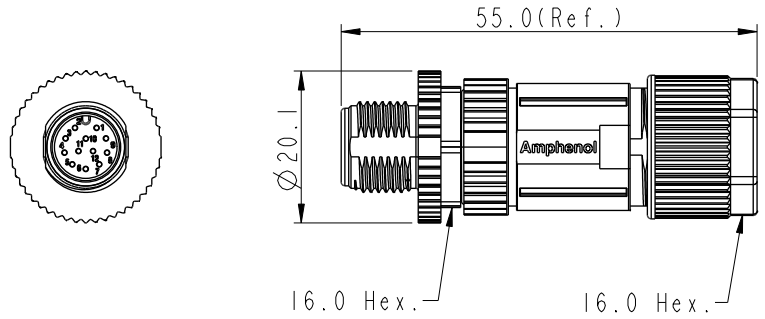
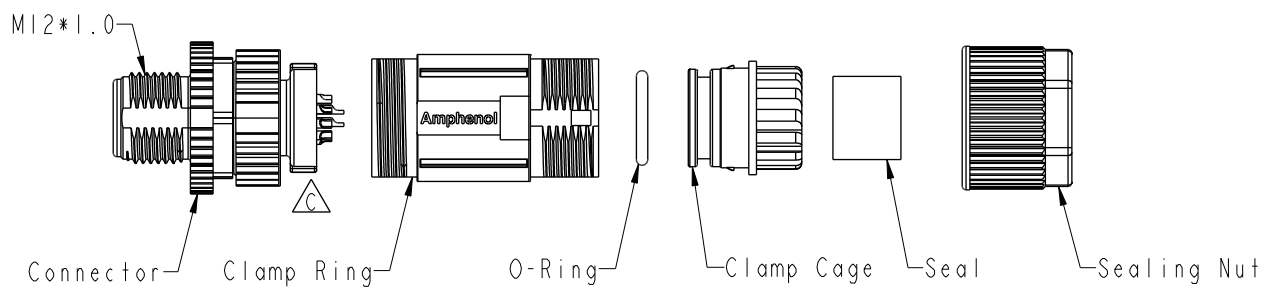


THIS DOCUMENT IS SUBJECT TO CHANGE WITHOUT NOTICE. IT IS CONFIDENTIAL AND A PROPERTY OF Amphenol LTW. DISCLOSURE TO THIRD PARTY HAS TO BE AUTHORIZED BY Amphenol LTW.

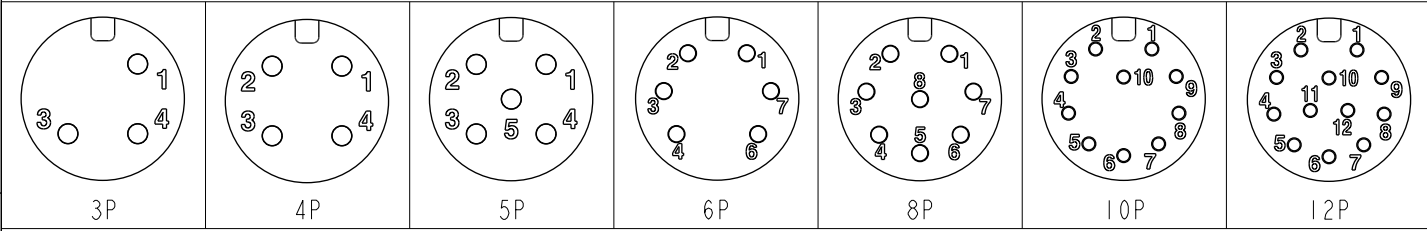
REV.	ECN NO.	DATE	SIGN	DESCRIPTION
D	C210076	2021/01/14	Vicky	$\triangle D$ X3
E	C210561	2021/04/15	Vicky	$\triangle E$ X3
F	C221877	2022/12/12	Ruru	$\triangle F$ XI

$\triangle E$
MSAS-XXBMMA-SL7001

XX: No. Of Pin



- $\triangle E$
Note:
- * RoHS Compliant
 - * $\text{\textcircled{C}}$ Important Dimension
 - $\triangle F$ * Waterproof rate: IP67, mated
 - * Connector
 - Housing: Thermoplastic, Black
 - Pin: Copper alloy, Gold plated
 - Extension Nut: Metal
 - $\triangle D$ * Nut: Metal
 - O-Ring: Rubber, Gray
 - $\triangle D$ * Clamp Ring: Metal
 - * O-Ring: Rubber, Gray
 - * Clamp Cage: Thermoplastic, Black
 - $\triangle D$ * Sealing Nut: Metal
 - * Seal: Rubber, Gray, OD: $\varnothing 4.0\text{mm} \sim \varnothing 7.5\text{mm}$
 - * One set unassembled in one pe bag



Pin Assignments Front View

UNIT: mm $\text{\textcircled{C}}$ TOLERANCE .X ± 0.25 .XX ± 0.1 .XXX ± 0.05 ANGLES $\pm 1^\circ$		TITLE N SEN, M12 A -SHLD, SCREW CABLE W/O SR, M, M, FI SOLDER $\triangle E$		Amphenol LTW 安費諾亮泰企業股份有限公司	ITEM NO.	DRAWN BY Yulong_wang	DATE 2016-07-22	
		SCALE 1:1	SIZE A4		SHEET 1 OF 1	DWG NO. MSAS-XXBMMA-SL7001	CHECKED BY Jinhai	DATE 2016-07-22
		REV. F	WC-REV. .0		$\text{\textcircled{C}}$: Inspection item	CUSTOMER ALTW	APPROVED BY Jerry	DATE 2016-07-22