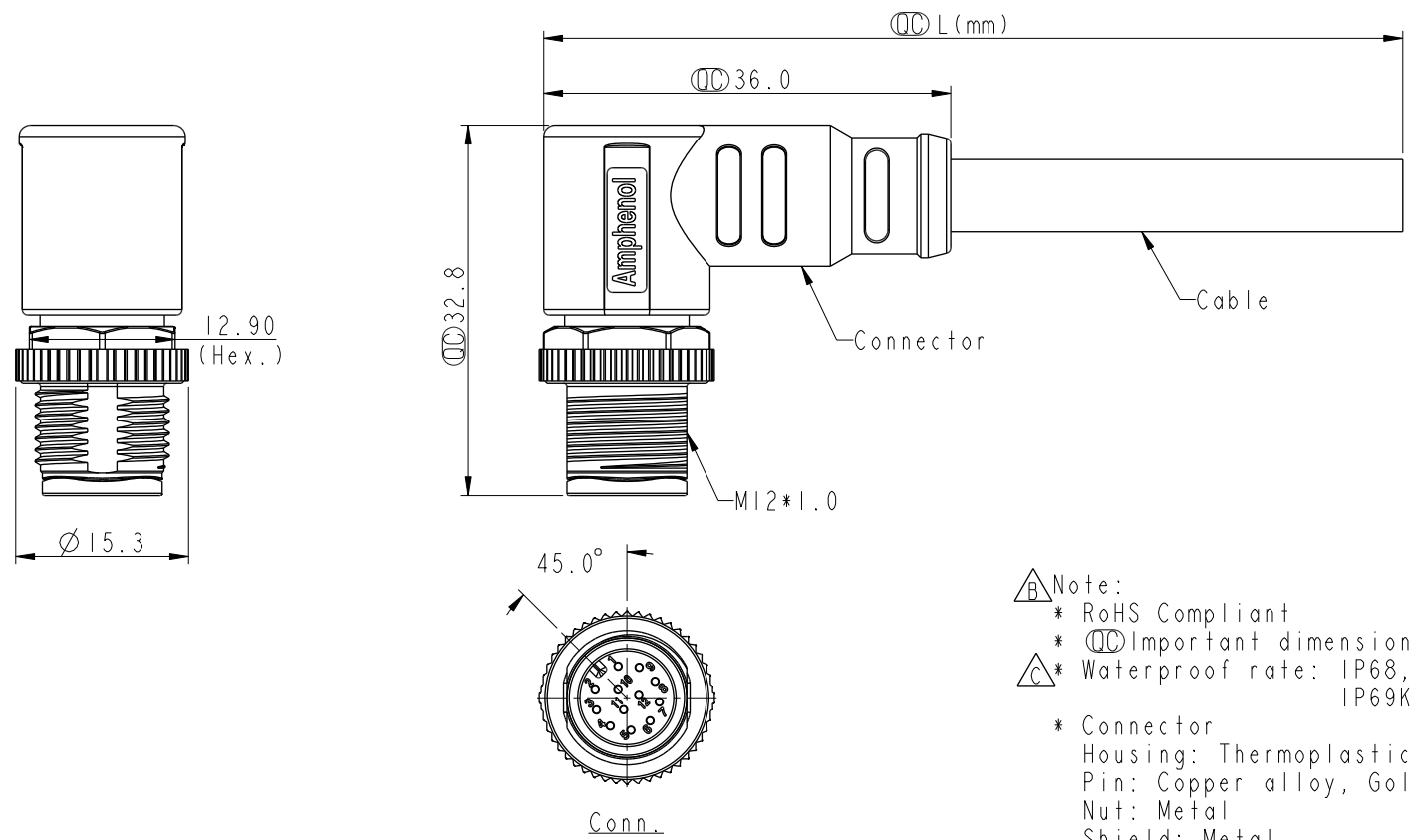


THIS DOCUMENT IS SUBJECT TO CHANGE WITHOUT NOTICE. IT IS CONFIDENTIAL AND A PROPERTY OF Amphenol LTW. DISCLOSURE TO THIRD PARTY HAS TO BE AUTHORIZED BY Amphenol LTW.

REV.	ECN NO.	DATE	SIGN	DESCRIPTION
A	Initial Released	2019/11/08	Brady	Initial Released
B	C210429	2021/03/26	Vicky	$\triangle B$ X3
C	C230018	2023/01/05	Vicky	$\triangle C$ XI



- $\triangle B$  Note:
- \* RoHS Compliant
  - \*  $\text{⌀}$  Important dimension
  - $\triangle C$  \* Waterproof rate: IP68, mated 1m/24h  
IP69K, mated
  - \* Connector
    - Housing: Thermoplastic, Black
    - Pin: Copper alloy, Gold plated
    - Nut: Metal
    - Shield: Metal
    - Outer mold: Thermoplastic, Black
  - \* Cable: UL20549, Shield, PU Jacket, Black
  - \* Cable length tolerance: 1M: +50/-0 mm
    - 1M < L ≤ 3M: +100/-0 mm
    - 3M < L ≤ 5M: +150/-0 mm
    - 5M < L ≤ 10M: ±100 mm
    - 10M < L ≤ 20M: ±200 mm
    - 20M < L ≤ 30M: ±300 mm
    - 30M < L ≤ 99M: ±500 mm


UNIT: mm			TITLE N SEN, M12 A -SHLD, SCREW CABLE W/O SR, M, M, MOLDING		
TOLERANCE	±0.5mm		SCALE 3:2	SIZE A4	SHEET 1 OF 2
REV. C	WC-REV. A.5	$\text{⌀}$ : Inspection item			

**Amphenol LTW**  
安費諾亮泰企業股份有限公司

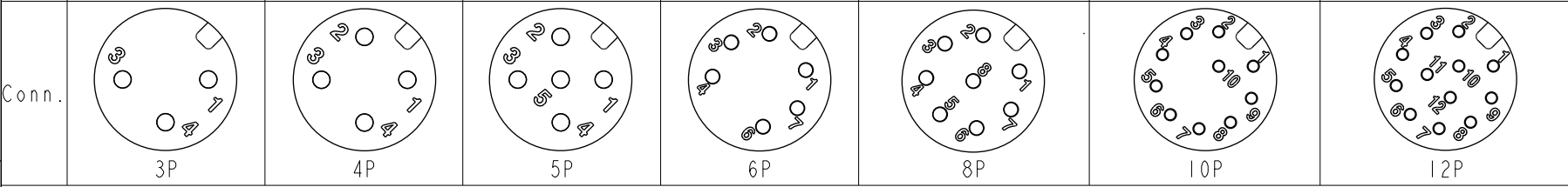
ITEM NO.	DRAWN BY Brady Chung	DATE 2019/11/08
DWG NO. MSAS-XXBMMM-SR8BXX	CHECKED BY Jane Wang	DATE 2019/11/08
CUSTOMER ALTW	APPROVED BY Neo Tsai	DATE 2019/11/08

THIS DOCUMENT IS SUBJECT TO CHANGE WITHOUT NOTICE. IT IS CONFIDENTIAL AND A PROPERTY OF Amphenol LTW. DISCLOSURE TO THIRD PARTY HAS TO BE AUTHORIZED BY Amphenol LTW.

12P	6.4	26	MSAS-12BMMM-SR8BXX
8P	5.8	24	MSAS-08BMMM-SR8BXX
5P	5.7	22	MSAS-05BMMM-SR8BXX
Contacts	Cable OD	AWG	Item No.

 MSAS-XXBFFM-SR8BXX  
 XX: No. Of Pin  
 XX: 01~99Meters  
 01: 01Meter  
 02: 02Meters  
 .  
 99: 99Meters

Pin Out	Shield	Braid	Shield	Braid	Shield	Braid	Shield	Braid	Shield	Braid	Shield	Braid		
5	--		5	--	5	Gray	灰	5	--		5	Gray	灰	
4	Black	黑	4	Black	4	Black	黑	4	Yellow	黃	4	Yellow	黃	
3	Blue	藍	3	Blue	3	Blue	藍	3	Green	綠	3	Green	綠	
2	--		2	White	白	2	White	白	2	Brown	棕	2	Brown	棕
1	Brown	棕	1	Brown	棕	1	Brown	棕	1	White	白	1	White	白
Pin #	Wire		Pin #	Wire	Pin #	Wire		Pin #	Wire		Pin #	Wire		



Pin Assignments Front View

UNIT:mm  TOLERANCE ±0.5mm	TITLE N SEN, M12 A -SHLD, SCREW CABLE W/O SR, M, M, MOLDING		<h1>Amphenol LTW</h1> 安費諾亮泰企業股份有限公司		ITEM NO	DRAWN BY	DATE
	SCALE	SIZE			SHEET	OF	DWG NO
	REV.	WC-REV.	 Inspection item		CUSTOMER	APPROVED BY	DATE