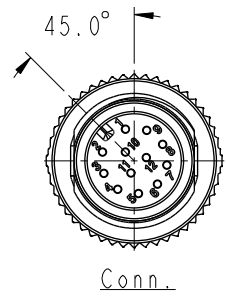
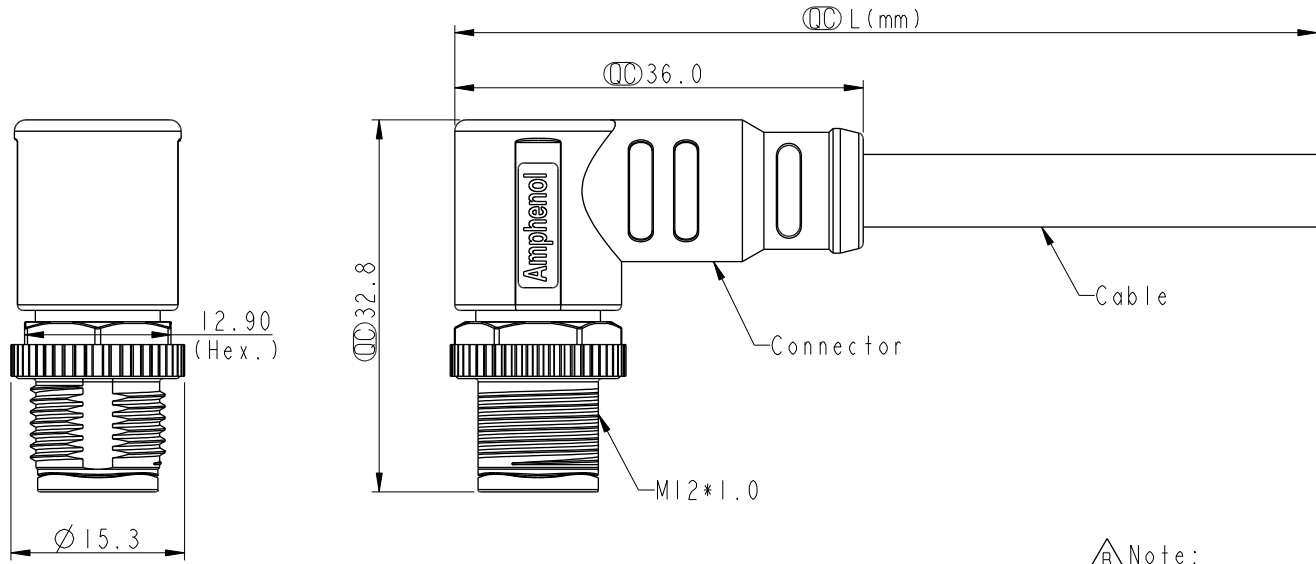


THIS DOCUMENT IS SUBJECT TO CHANGE WITHOUT NOTICE. IT IS CONFIDENTIAL AND A PROPERTY OF Amphenol LTW. DISCLOSURE TO THIRD PARTY HAS TO BE AUTHORIZED BY Amphenol LTW.

REV.	ECN NO.	DATE	SIGN	DESCRIPTION
A	Initial Released	2019/11/08	Brady	Initial Released
B	C210429	2021/03/26	Vicky	$\triangle_B$ X3
C	C230018	2023/01/05	Vicky	$\triangle_C$ X1



- $\triangle_B$ Note:
- \* RoHS Compliant
  - \*  $\text{CC}$  Important dimension
  - \*  $\triangle_C$  Waterproof rate: IP68, mated 1m/24h  
IP69K, mated
  - \* Connector
  - Housing: Thermoplastic, Black
  - Pin: Copper alloy, Gold plated
  - Nut: Metal
  - Shield: Metal
  - Outer mold: Thermoplastic, Black
  - \* Cable: UL2517, Shield, PVC Jacket, Black
  - \* Cable length tolerance: 1M: +50/-0 mm
  - 3M: +100/-0 mm
  - 5M: +150/-0 mm
  - 10M: ±100 mm
  - 20M: ±200 mm
  - 30M: ±300 mm
  - 99M: ±500 mm

UNIT: mm		TITLE N SEN, M12 A -SHLD, SCREW CABLE W/O SR, M, M, MOLDING
TOLERANCE $\pm 0.5\text{mm}$	SCALE 3:2	SIZE A4
	REV. C	SHEET 1 OF 2
	WC-REV. A.5	$\text{CC}$ : Inspection item

**Amphenol LTW**  
安費諾亮泰企業股份有限公司

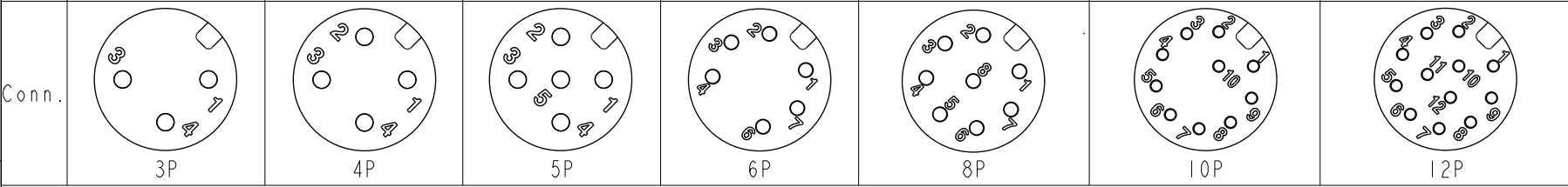
ITEM NO.	DRAWN BY Brady Chung	DATE 2019/11/08
DWG NO. MSAS-XXBMMM-SR8DXX	CHECKED BY Jane Wang	DATE 2019/11/08
CUSTOMER ALTW	APPROVED BY Neo Tsai	DATE 2019/11/08

THIS DOCUMENT IS SUBJECT TO CHANGE WITHOUT NOTICE. IT IS CONFIDENTIAL AND A PROPERTY OF Amphenol LTW. DISCLOSURE TO THIRD PARTY HAS TO BE AUTHORIZED BY Amphenol LTW.

12P	6.4	26	MSAS-12BMMM-SR8DXX
8P	5.8	24	MSAS-08BMMM-SR8DXX
5P	5.7	22	MSAS-05BMMM-SR8DXX
Contacts	Cable OD	AWG	Item No.

$\triangle B$   
 MSAS-XXBMMM-SR8DXX  
 XX: No. Of Pin  
 XX: 01~99Meters  
 01: 01Meter  
 02: 02Meters  
 .  
 99: 99Meters

Pin Out	Shield	Braid	Shield	Braid	Shield	Braid	Shield	Braid	Shield	Braid	Shield	Braid	
5	--		5	--	5	Gray	灰	5	--		5	Gray	灰
4	Black	黑	4	Black	4	Black	黑	4	Yellow	黃	4	Yellow	黃
3	Blue	藍	3	Blue	3	Blue	藍	3	Green	綠	3	Green	綠
2	--		2	White	2	White	白	2	Brown	棕	2	Brown	棕
1	Brown	棕	1	Brown	1	Brown	棕	1	White	白	1	White	白
Pin #	Wire		Pin #	Wire	Pin #	Wire		Pin #	Wire		Pin #	Wire	



Pin Assignments Front View

UNIT:mm TOLERANCE $\pm 0.5mm$	TITLE N SEN, M12 A -SHLD, SCREW CABLE W/O SR, M, M, MOLDING		<h1>Amphenol LTW</h1> 安費諾亮泰企業股份有限公司	ITEM NO	DRAWN BY	DATE	
	SCALE 3:2	SIZE A4		SHEET 2 OF 2	DWG NO MSAS-XXBMMM-SR8DXX	CHECKED BY Jane Wang	DATE 2019/11/08
	REV. C	WC-REV. A.5		QC: Inspection item	CUSTOMER ALTW	APPROVED BY Neo Tsai	DATE 2019/11/08