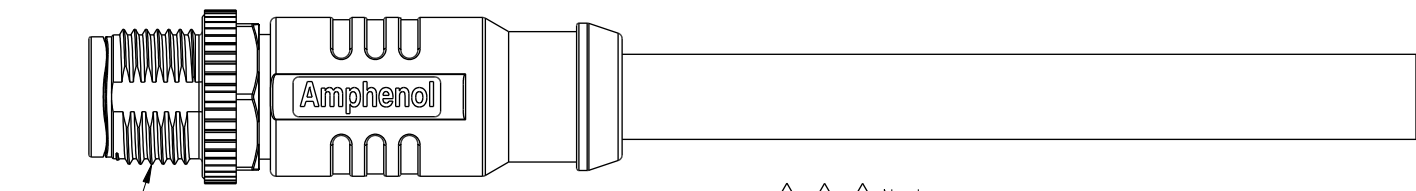
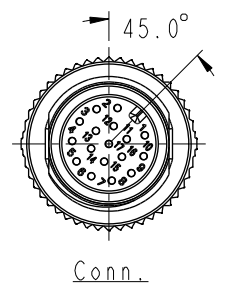
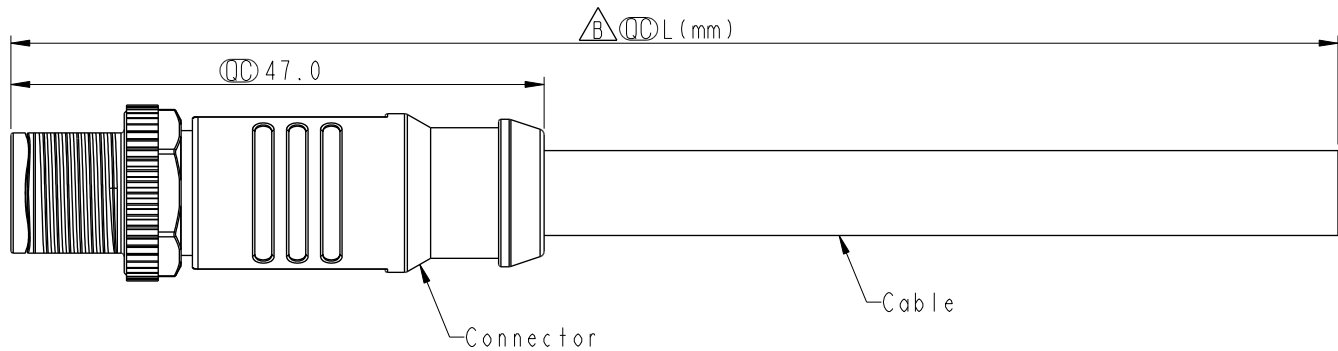


THIS DOCUMENT IS SUBJECT TO CHANGE WITHOUT NOTICE. IT IS CONFIDENTIAL AND A PROPERTY OF Amphenol LTW. DISCLOSURE TO THIRD PARTY HAS TO BE AUTHORIZED BY Amphenol LTW.

REV.	ECN NO.	DATE	SIGN	DESCRIPTION
H	C210429	2021/03/26	Vicky	△H X4
I	C221257	2022/08/08	Wen	△I X3
J	C230012	2023/01/05	Vicky	△J X1



- Note:**
- * RoHS Compliant
 - * \varnothing Important dimension
 - * Waterproof rate: IP68, mated 1m/24h
IP69K, mated
 - * Connector
 - Housing: Thermoplastic, Black
 - Pin: Copper alloy, Gold plated
 - * Nut: Metal
 - * Shield: Metal
 - * Outer mold: Thermoplastic, Black
 - * Cable: UL20549, Shield, PU Jacket, Black
 - * Cable length tolerance: 1M: +50/-0 mm
 - 1M < L ≤ 3M: +100/-0 mm
 - 3M < L ≤ 5M: +150/-0 mm
 - 5M < L ≤ 10M: ±100 mm
 - 10M < L ≤ 20M: ±200 mm
 - 20M < L ≤ 30M: ±300 mm
 - 30M < L ≤ 99M: ±500 mm

UNIT: mm

TOLERANCE

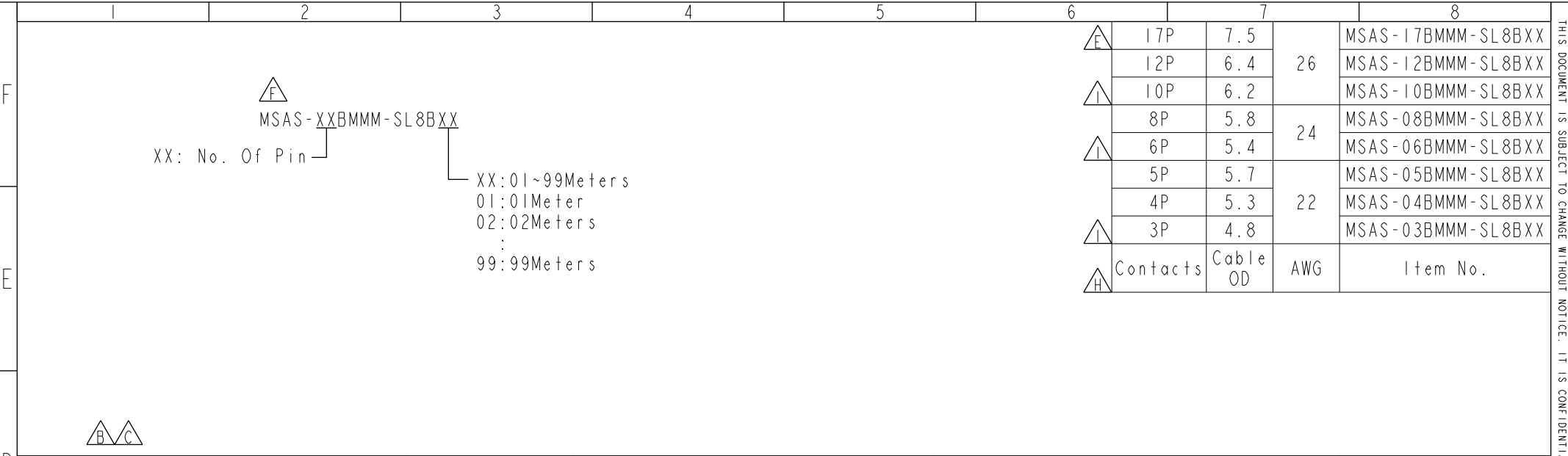
±0.5mm

TITLE N SEN, M12 A -SHLD, SCREW CABLE W/O SR, M, M, MOLDING			△H
SCALE 3:2	SIZE A4	SHEET 1 OF 2	
REV. J	WC-REV. A.1	Ⓞ: Inspection item	

Amphenol LTW
安費諾亮泰企業股份有限公司

ITEM NO	DRAWN BY Cynthia	DATE 2019/05/13
DWG NO △E MSAS-XXBMM-SL8BXX	CHECKED BY Wen	DATE 2019/05/13
CUSTOMER ALTW	APPROVED BY Neo	DATE 2019/05/13

THIS DOCUMENT IS SUBJECT TO CHANGE WITHOUT NOTICE. IT IS CONFIDENTIAL AND A PROPERTY OF Amphenol LTW. DISCLOSURE TO THIRD PARTY HAS TO BE AUTHORIZED BY Amphenol LTW.



E	17P	7.5	26	MSAS-17BMMM-SL8BXX
	12P	6.4		MSAS-12BMMM-SL8BXX
I	10P	6.2	24	MSAS-10BMMM-SL8BXX
	8P	5.8		MSAS-08BMMM-SL8BXX
I	6P	5.4	22	MSAS-06BMMM-SL8BXX
	5P	5.7		MSAS-05BMMM-SL8BXX
I	4P	5.3	20	MSAS-04BMMM-SL8BXX
	3P	4.8		MSAS-03BMMM-SL8BXX
H	Contacts	Cable OD	AWG	Item No.

Pin Out	Shield Braid	Shield Braid	Shield Braid	Shield Braid	Shield Braid	Shield Braid	Shield Braid	Shield Braid	Shield Braid
5	--	5	--	5	Gray 灰	5	--	5	Gray 灰
4	Black 黑	4	Black 黑	4	Black 黑	4	Yellow 黃	4	Yellow 黃
3	Blue 藍	3	Blue 藍	3	Blue 藍	3	Green 綠	3	Green 綠
2	--	2	White 白	2	White 白	2	Brown 棕	2	Brown 棕
1	Brown 棕	1	Brown 棕	1	Brown 棕	1	White 白	1	White 白
Pin #	Wire	Pin #	Wire	Pin #	Wire	Pin #	Wire	Pin #	Wire

Pin Assignments Front View

UNIT: mm		TITLE N SEN, M12 A -SHLD, SCREW CABLE W/O SR, M, M, MOLDING		ITEM NO	DRAWN BY Cynthia	DATE 2019/05/13
TOLERANCE ±0.5mm	SCALE 3:2	SIZE A4	SHEET 2 OF 2	DWG NO MSAS-XXBMMM-SL8BXX	CHECKED BY Wen	DATE 2019/05/13
REV. J	WC-REV. A.1	QC: Inspection item		CUSTOMER ALTW	APPROVED BY Neo	DATE 2019/05/13