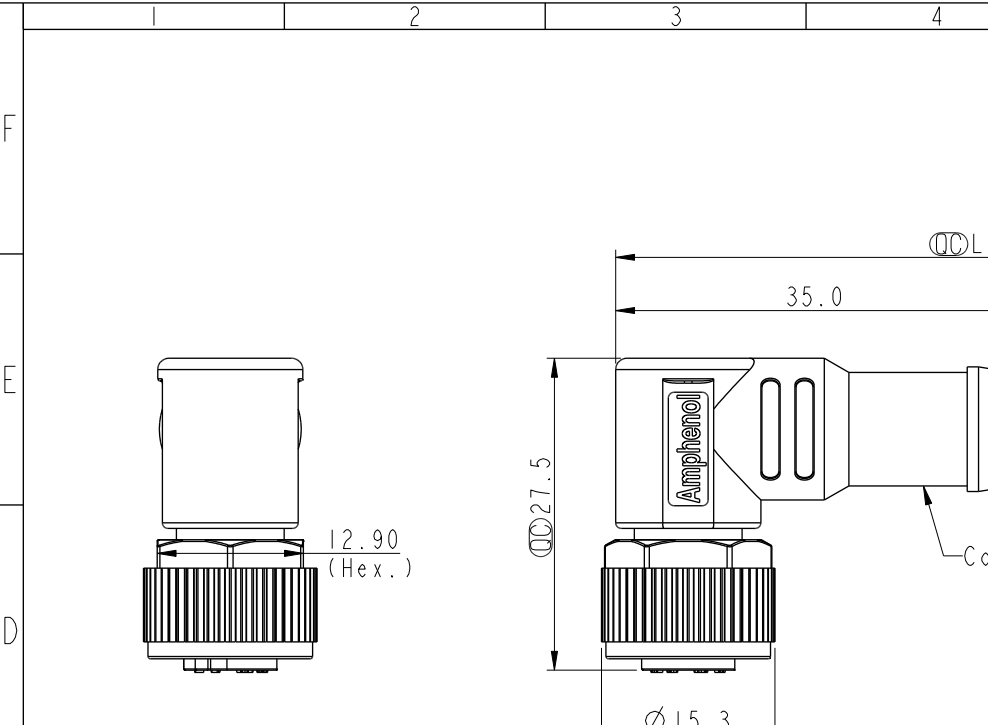


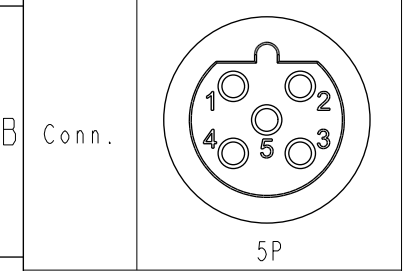
THIS DOCUMENT IS SUBJECT TO CHANGE WITHOUT NOTICE. IT IS CONFIDENTIAL AND A PROPERTY OF Amphenol LTW. DISCLOSURE TO THIRD PARTY HAS TO BE AUTHORIZED BY Amphenol LTW.

REV.	ECN NO.	DATE	SIGN	DESCRIPTION
D	C201595	2020/10/16	Ruru	$\triangle D$ X4
E	C210211	2021/03/18	Ruru	$\triangle E$ X2
F	C221876	2022/12/06	Ruru	$\triangle F$ X1



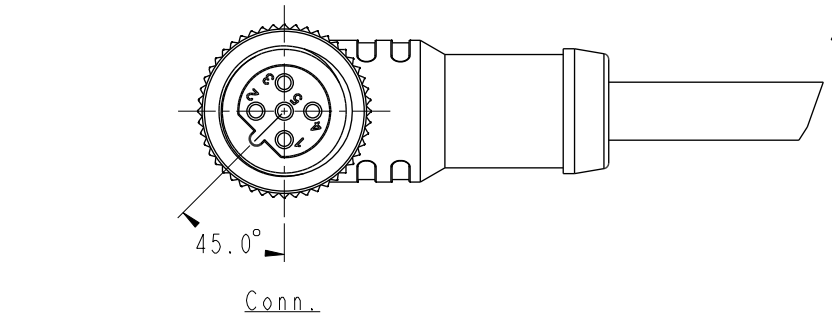
$\triangle C \triangle D$
MSBP-XXBFFM-SR8BXX
XX: No. Of Pin
XX:01~99Meters
01:01Meter
02:02Meters
:
99:99Meters

Pin Out	Wire	Color
5	Gray	灰
4	Black	黑
3	Blue	藍
2	White	白
1	Brown	棕



Pin Assignments Front View

UNIT:mm	\varnothing	∇
TOLERANCE	$\pm 0.5mm$	



- Note: $\triangle D \triangle E$
- * RoHS Compliant
 - * \varnothing Important dimension
 - * $\triangle C \triangle E$ Waterproof rate: IP68, mated 1m/24h
IP69K, mated
 - * Connector
 - Housing: Thermoplastic, Black
 - Pin: Copper alloy, Gold plated
 - O-Ring: Rubber, Green
 - Nut: Thermoplastic, Black
 - Outer mold: Thermoplastic, Black
 - * Cable: UL20549, 22#5C, OD=4.4mm, PUR Jacket, Black
 - * Cable length tolerance: 1M: +50/-0 mm
 - 1M < L ≤ 3M: +100/-0 mm
 - 3M < L ≤ 5M: +150/-0 mm
 - 5M < L ≤ 10M: ±100 mm
 - 10M < L ≤ 20M: ±200 mm
 - 20M < L ≤ 30M: ±300 mm
 - 30M < L ≤ 99M: ±500 mm

TITLE N SEN, M12 B -PLASTIC, SCREW CABLE W/O SR, F, F, MOLDING $\triangle E$			
SCALE 3:2	SIZE A4	SHEET 1 OF 1	
REV. F	WC-REV. A.2	\varnothing : Inspection item	

Amphenol LTW
安費諾亮泰企業股份有限公司

ITEM NO	DRAWN BY Ruru	DATE 2019-01-21
DWG NO $\triangle D$ MSBP-XXBFFM-SR8BXX	CHECKED BY Rita	DATE 2019-01-21
CUSTOMER ALTW	APPROVED BY Max	DATE 2019-01-21