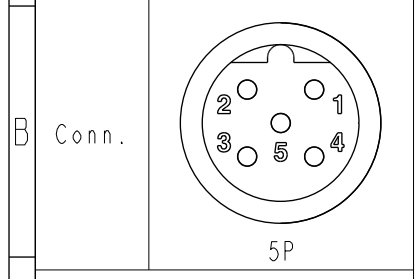


THIS DOCUMENT IS SUBJECT TO CHANGE WITHOUT NOTICE. IT IS CONFIDENTIAL AND A PROPERTY OF Amphenol LTW. DISCLOSURE TO THIRD PARTY HAS TO BE AUTHORIZED BY Amphenol LTW.

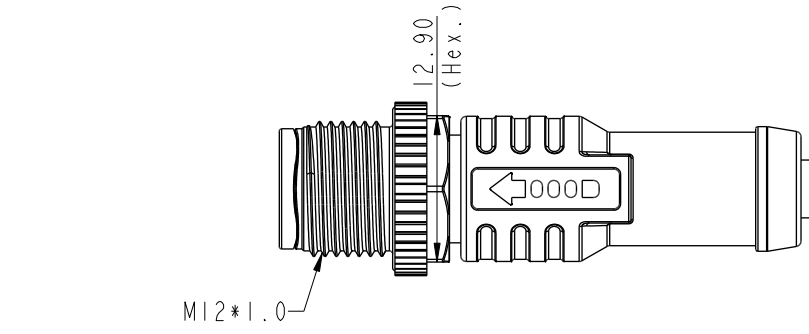
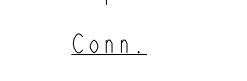
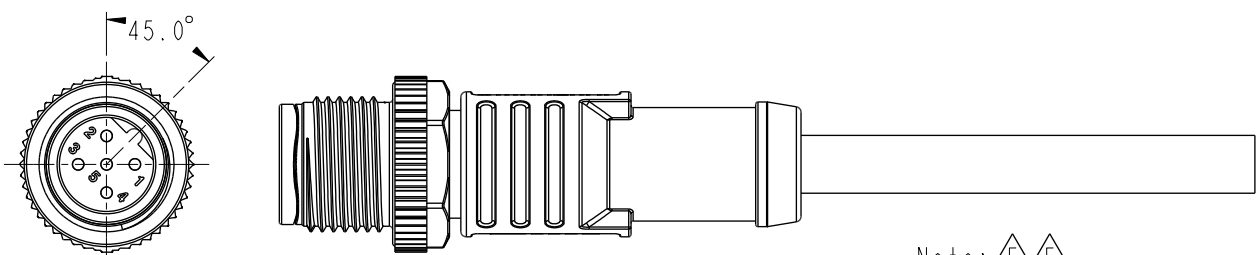
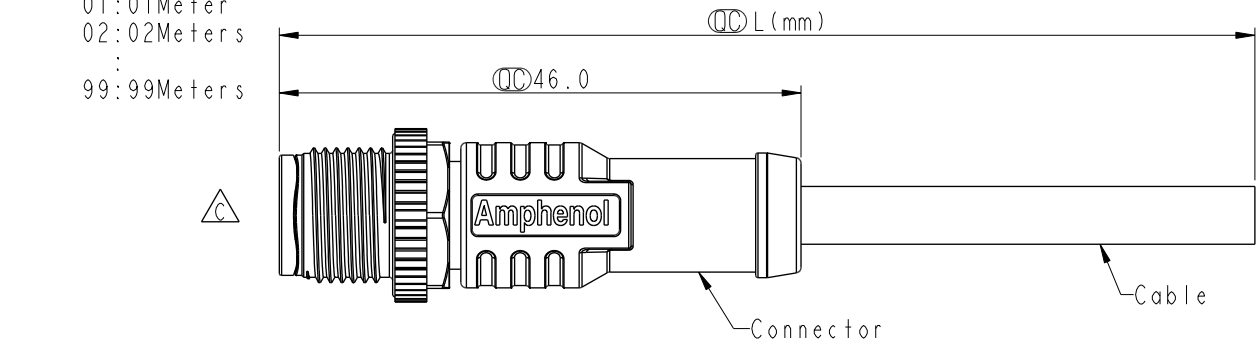
REV.	ECN NO.	DATE	SIGN	DESCRIPTION
E	C201524	2020/10/05	Vicky	X4
F	C210211	2021/03/18	Ruru	X2
G	C221876	2022/12/06	Ruru	X1

MSBP-XXBMMM-SL8DXX
 XX: No. Of Pin
 XX: 01~99Meters
 01: 01Meter
 02: 02Meters
 ...
 99: 99Meters

Pin Out	Wire	Color
5	Gray	灰
4	Black	黑
3	Blue	藍
2	White	白
1	Brown	棕



UNIT:mm
 TOLERANCE
 ±0.5mm



Note: $\triangle E/\triangle F$
 * RoHS Compliant
 * Ⓞ Important dimension
 $\triangle G/\triangle D$ * Waterproof rate: IP68, mated 1m/24h
 IP69K, mated

* Connector
 Housing: Thermoplastic, Black
 Pin: Copper alloy, Gold plated
 Nut: Thermoplastic, Black
 Outer mold: Thermoplastic, Black

* Cable: UL2517, 22#*5C, OD=5.1mm, PVC Jacket, Black
 * Cable length tolerance: 1M: +50/-0 mm
 1M < L ≤ 3M: +100/-0 mm
 3M < L ≤ 5M: +150/-0 mm
 5M < L ≤ 10M: ±100 mm
 10M < L ≤ 20M: ±200 mm
 20M < L ≤ 30M: ±300 mm
 30M < L ≤ 99M: ±500 mm

TITLE N SEN, M12 B -PLASTIC, SCREW CABLE W/O SR, M, M, MOLDING $\triangle E$			
SCALE 3:2	SIZE A4	SHEET 1 OF 1	
REV. G	WC-REV. A.2	Ⓞ : Inspection item	

Amphenol LTW
 安費諾亮泰企業股份有限公司

ITEM NO	DRAWN BY Ruru	DATE 2019-01-21
DWG NO $\triangle E$ MSBP-XXBMMM-SL8DXX	CHECKED BY Rita	DATE 2019-01-21
CUSTOMER ALTW	APPROVED BY Max	DATE 2019-01-21