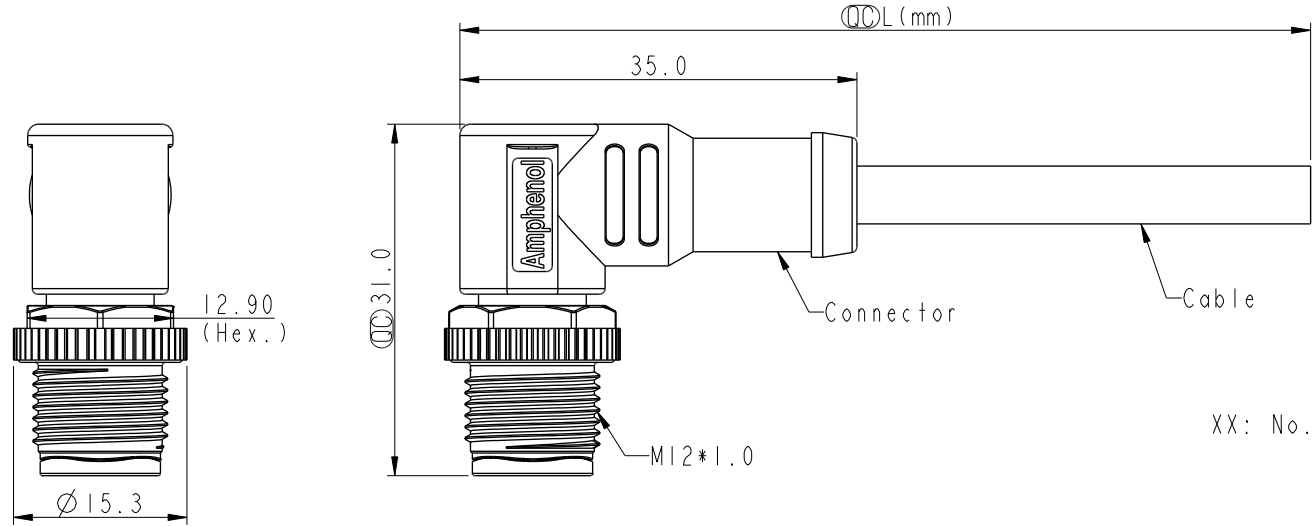


THIS DOCUMENT IS SUBJECT TO CHANGE WITHOUT NOTICE. IT IS CONFIDENTIAL AND A PROPERTY OF Amphenol LTW. DISCLOSURE TO THIRD PARTY HAS TO BE AUTHORIZED BY Amphenol LTW.

REV.	ECN NO.	DATE	SIGN	DESCRIPTION
D	C201524	2020/10/05	Vicky	△D X4
E	C210211	2021/03/18	Ruru	△E X2
F	C221876	2022/12/06	Ruru	△F X1

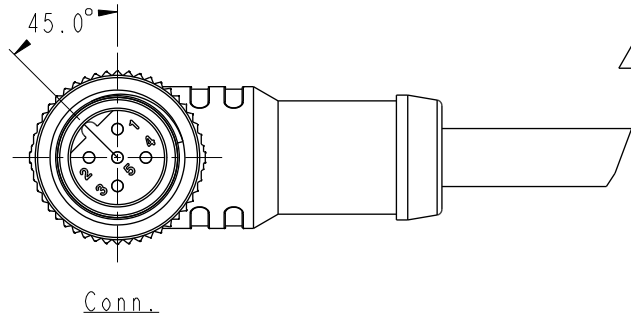
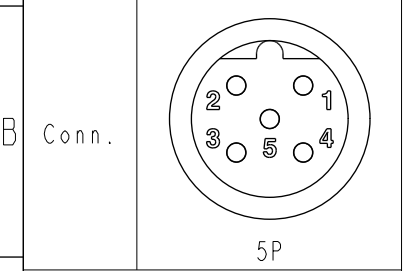


△ MSBP-XXBMMM-SR8AXX

XX: No. Of Pin

XX:01~99Meters  
 01:01Meter  
 02:02Meters  
 :  
 99:99Meters

Pin Out	Color	Chinese
5	Gray	灰
4	Black	黑
3	Blue	藍
2	White	白
1	Brown	棕



Note: △D △E

- \* RoHS Compliant
- \* △C Important dimension
- \* △F △C Waterprooff rate: IP68, mated 1m/24h  
IP69K, mated

- \* Connector
- Housing: Thermoplastic, Black
- Pin: Copper alloy, Gold plated
- Nut: Thermoplastic, Black
- Outer mold: Thermoplastic, Black
- \* Cable: UL2517, 22#\*5C, OD=5.1mm, PVC Jacket, Yellow
- \* Cable length tolerance: 1M: +50/-0 mm  
 1M < L ≤ 3M: +100/-0 mm  
 3M < L ≤ 5M: +150/-0 mm  
 5M < L ≤ 10M: ±100 mm  
 10M < L ≤ 20M: ±200 mm  
 20M < L ≤ 30M: ±300 mm  
 30M < L ≤ 99M: ±500 mm

UNIT:mm		
TOLERANCE	±0.5mm	

TITLE N SEN, M12 B -PLASTIC, SCREW CABLE W/O SR, M, M, MOLDING △E		
SCALE 3:2	SIZE A4	SHEET 1 OF 1
REV. F	WC-REV. A.2	QC: Inspection item

**Amphenol LTW**  
 安費諾亮泰企業股份有限公司

ITEM NO	DRAWN BY Ruru	DATE 2019-01-21
DWG NO △D MSBP-XXBMMM-SR8AXX	CHECKED BY Rita	DATE 2019-01-21
CUSTOMER ALTW	APPROVED BY Max	DATE 2019-01-21