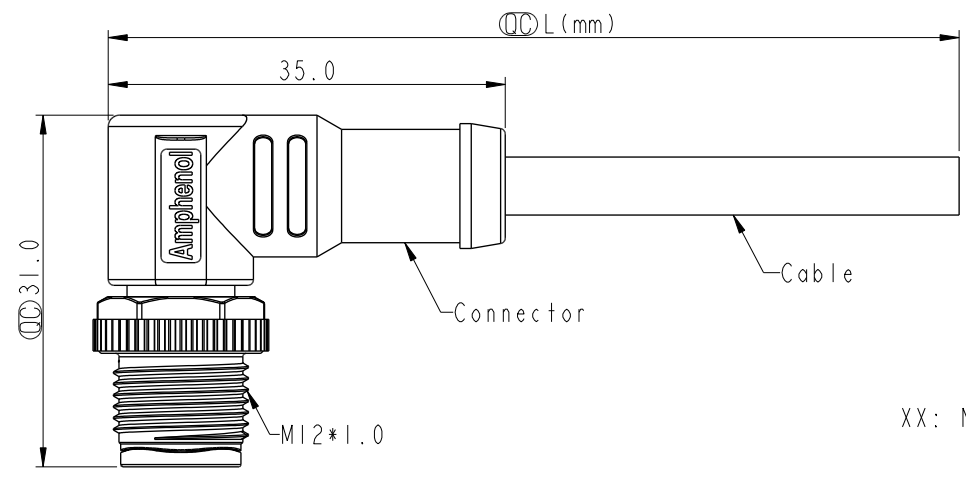


THIS DOCUMENT IS SUBJECT TO CHANGE WITHOUT NOTICE. IT IS CONFIDENTIAL AND A PROPERTY OF Amphenol LTW. DISCLOSURE TO THIRD PARTY HAS TO BE AUTHORIZED BY Amphenol LTW.

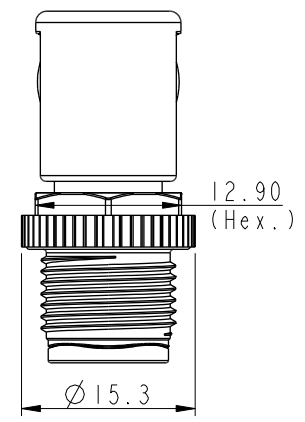
REV.	ECN NO.	DATE	SIGN	DESCRIPTION
D	C201524	2020/10/05	Vicky	$\triangle D$ X4
E	C210211	2021/03/18	Ruru	$\triangle E$ X2
F	C221876	2022/12/06	Ruru	$\triangle F$ X1



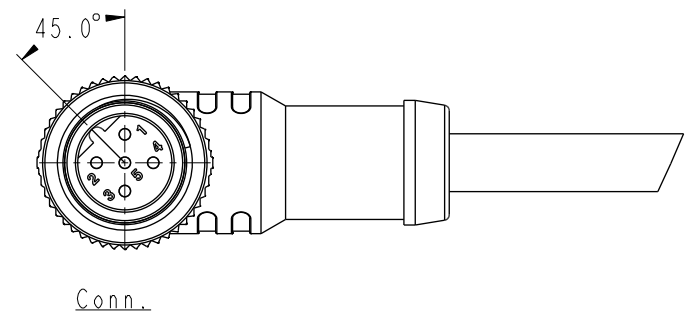
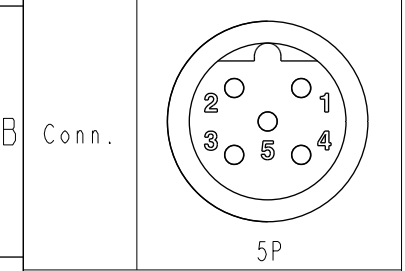
$\triangle D$
MSBP-XXBMMM-SR8BXX

XX: No. Of Pin

XX:01~99Meters
01:01Meter
02:02Meters
:
99:99Meters



Pin Out	Color	Chinese
5	Gray	灰
4	Black	黑
3	Blue	藍
2	White	白
1	Brown	棕



Note: $\triangle D$ $\triangle E$

- * RoHS Compliant
- * ⌀ Important dimension
- * $\triangle F$ $\triangle C$ Waterproof rate: IP68, mated 1m/24h
IP69K, mated

- * Connector
Housing: Thermoplastic, Black
Pin: Copper alloy, Gold plated
Nut: Thermoplastic, Black
Outer mold: Thermoplastic, Black
- * Cable: UL20549, 22#*5C, OD=4.4mm, PUR Jacket, Black
- * Cable length tolerance: 1M: +50/-0 mm
1M < L ≤ 3M: +100/-0 mm
3M < L ≤ 5M: +150/-0 mm
5M < L ≤ 10M: ±100 mm
10M < L ≤ 20M: ±200 mm
20M < L ≤ 30M: ±300 mm
30M < L ≤ 99M: ±500 mm

UNIT:mm	⌀	⌀
TOLERANCE	±0.5mm	

TITLE N SEN, M12 B -PLASTIC, SCREW CABLE W/O SR, M, M, MOLDING $\triangle E$		
SCALE 3:2	SIZE A4	SHEET 1 OF 1
REV. F	WC-REV. A.2	⌀ : Inspection item

Amphenol LTW
安費諾亮泰企業股份有限公司

ITEM NO	DWG NO	CHECKED BY	DATE
	$\triangle D$ MSBP-XXBMMM-SR8BXX	Rita	2019-01-21
CUSTOMER	APPROVED BY	DATE	
ALTW	Max	2019-01-21	