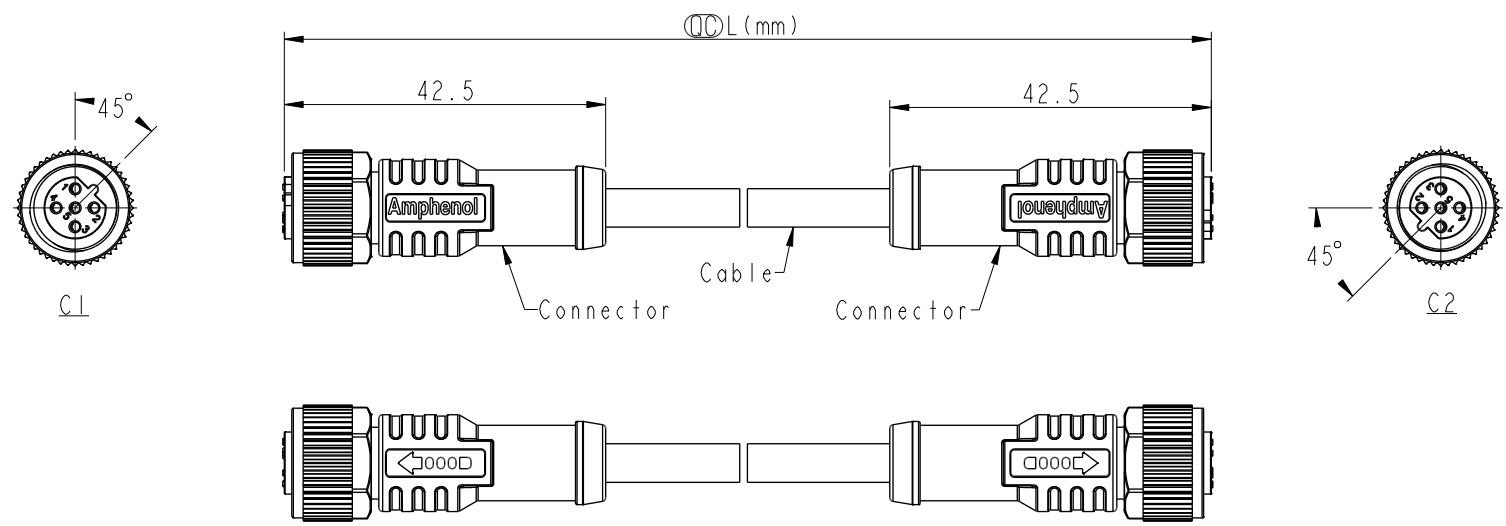


THIS DOCUMENT IS SUBJECT TO CHANGE WITHOUT NOTICE. IT IS CONFIDENTIAL AND A PROPERTY OF Amphenol LTW. DISCLOSURE TO THIRD PARTY HAS TO BE AUTHORIZED BY Amphenol LTW.

REV.	ECN NO.	DATE	SIGN	DESCRIPTION
B	C201781	2020/11/12	Ruru	$\triangle B$ X3
C	C210497	2021/03/30	Ruru	$\triangle C$ X2
D	C230014	2022/12/30	Ruru	$\triangle D$ X1



Pin Out	5 4 3 2 1	Gray Black Blur White Brown	灰 黑 藍 白 棕
	Pin #	Wire	
C1 & C2	<p>5P</p>		

$\triangle B$
MSBPXXFL-SBPFL-SDXXX

XX: No. Of Pin

XXX: 0.5~99Meters
 A05: 0.5 Meter
 1: 01 Meter
 2: 02 Meters
 ...
 99: 99 Meters

Note: $\triangle B \triangle C$

- * RoHS Compliant
- * \odot Important dimension
- $\triangle D$ * Waterproof rate: IP68, mated 1m/24h
IP69K, mated
- * Connector:
 Housing: Thermoplastic, Black
 Pin: Copper alloy, Gold plated
 O-Ring: Rubber, Green
 Nut: Thermoplastic, Black
 Outer mold: Thermoplastic, Black
- * Cable: UL2517, 22#*5C, OD=5.1mm, PVC Jacket, Black
- * Cable length tolerance:

0.5M < L ≤ 1M:	+60/-0 mm
1M < L ≤ 3M:	+120/-0 mm
3M < L ≤ 5M:	+160/-0 mm
5M < L ≤ 10M:	±100 mm
10M < L ≤ 20M:	±200 mm
20M < L ≤ 30M:	±300 mm
30M < L ≤ 99M:	±500 mm

A	UNIT:mm		TITLE	ACC, SEN, B Code, DB-ENDED FF		<h1>Amphenol LTW</h1> <p>安費諾亮泰企業股份有限公司</p>	ITEM NO	DRAWN BY	DATE									
	TOLERANCE	± 0.5 mm	SCALE	1:2	SIZE		A4	SHEET	1	OF	1	Inspection item	DWG NO	MSBPXXFL-SBPFL-SDXXX	CHECKED BY	Rita	DATE	2018-12-07
	REV.	D	WC-REV.		REV.			APPROVED BY	Max	DATE	2018-12-07							