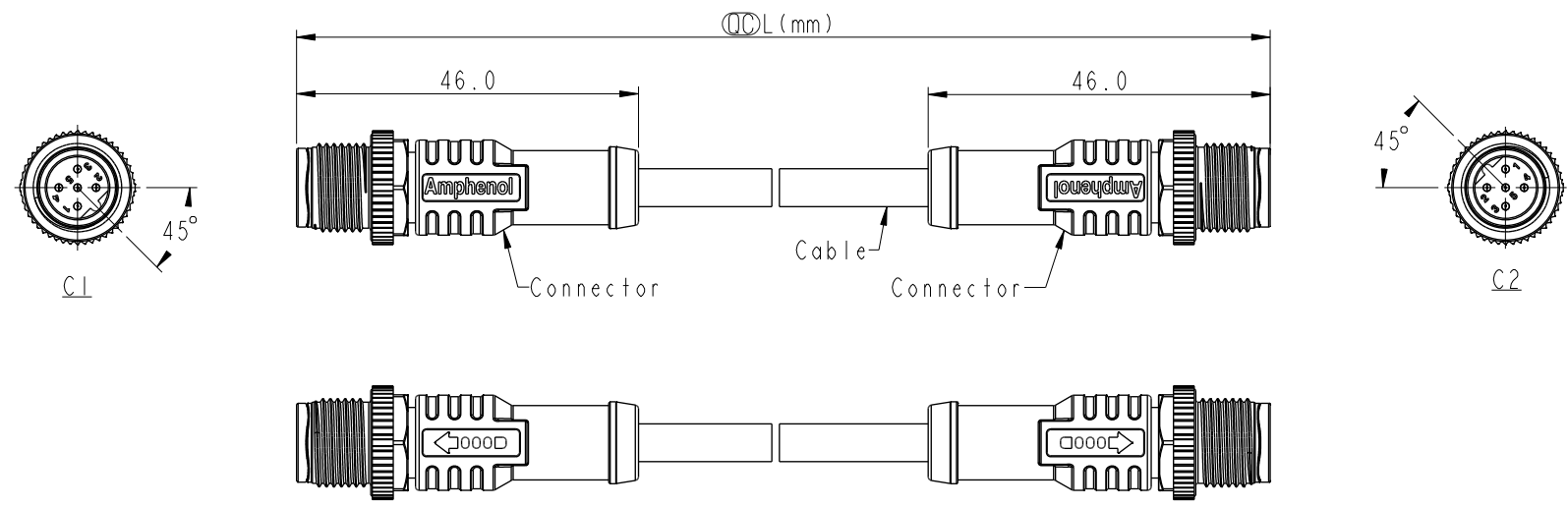


THIS DOCUMENT IS SUBJECT TO CHANGE WITHOUT NOTICE. IT IS CONFIDENTIAL AND A PROPERTY OF Amphenol LTW. DISCLOSURE TO THIRD PARTY HAS TO BE AUTHORIZED BY Amphenol LTW.

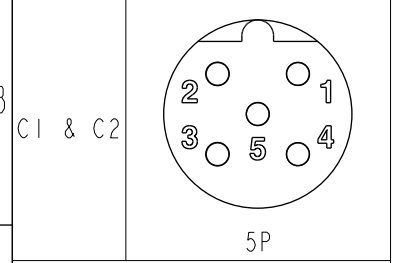
REV.	ECN NO.	DATE	SIGN	DESCRIPTION
B	C201808	2020/11/19	Vicky	$\triangle B$ X3
C	C210497	2021/03/31	Ruru	$\triangle C$ X2
D	C230014	2022/12/30	Ruru	$\triangle D$ X1



$\triangle B$ MSBPXXML-SBPML-SBXXX  
 XX: No. Of Pin  
 XXX: 0.5~99Meters  
 A05: 0.5 Meter  
 001: 1 Meter  
 002: 2 Meters  
 :  
 099: 99 Meters

- Note:  $\triangle B$   $\triangle C$
- \* RoHS Compliant
  - \*  $\odot$  Important dimension
  - $\triangle D$ \* Waterproof rate: IP68, mated 1m/24h  
IP69K, mated
  - \* Connector:  
 Housing: Thermoplastic, Black  
 Pin: Copper alloy, Gold plated  
 Nut: Thermoplastic, Black  
 Outer mold: Thermoplastic, Black
  - \* Cable: UL20549, 22#5C, OD=4.4mm, PUR Jacket, Black
  - \* Cable length tolerance:
    - 0.5M < L ≤ 1M: +60/-0 mm
    - 1M < L ≤ 3M: +120/-0 mm
    - 3M < L ≤ 5M: +160/-0 mm
    - 5M < L ≤ 10M: ±100 mm
    - 10M < L ≤ 20M: ±200 mm
    - 20M < L ≤ 30M: ±300 mm
    - 30M < L ≤ 99M: ±500 mm

Pin Out	Wire	Wire
5	Gary	灰
4	Black	黑
3	Blue	藍
2	White	白
1	Brown	棕



Pin Assignments Front View

UNIT:mm	
TOLERANCE	±0.5 mm

TITLE ACC, SEN, B Code, DB-ENDED MM $\triangle C$			
SCALE 1:2	SIZE A4	SHEET 1 OF 1	
REV. D	WC-REV.	$\odot$ : Inspection item	

**Amphenol LTW**  
 安費諾亮泰企業股份有限公司

ITEM NO	DRAWN BY Ruru	DATE 2018-12-10
DWG NO $\triangle B$ MSBPXXML-SBPML-SBXXX	CHECKED BY Rita	DATE 2018-12-10
CUSTOMER ALTW	APPROVED BY Max	DATE 2018-12-10