

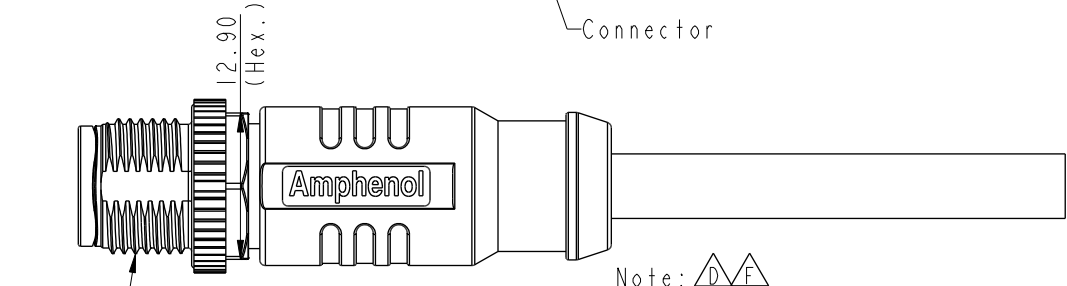
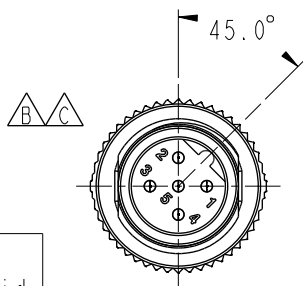
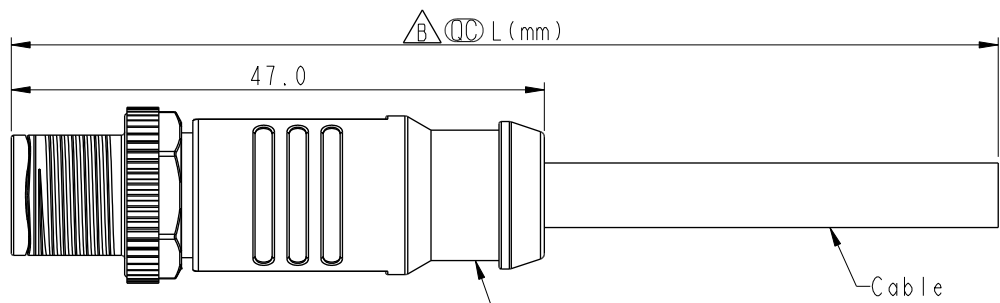
THIS DOCUMENT IS SUBJECT TO CHANGE WITHOUT NOTICE. IT IS CONFIDENTIAL AND A PROPERTY OF Amphenol LTW. DISCLOSURE TO THIRD PARTY HAS TO BE AUTHORIZED BY Amphenol LTW.

REV.	ECN NO.	DATE	SIGN	DESCRIPTION
E	C210084	2021/01/18	Vicky	△E X1
F	C210211	2021/03/19	Ruru	△F X2
G	C221876	2022/12/08	Ruru	△G X1

△D
MSBS-XXBMMM-SL8DXX

XX: No. Of Pin

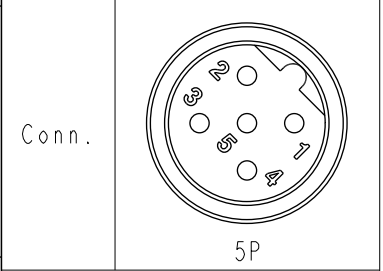
XX: 01~99Meters
01: 01Meter
02: 02Meters
:
99: 99Meters



- Note: △D △E
- * RoHS Compliant
 - * (QC) Important dimension
 - △G * Waterproof rate: IP68, mated 1m/24h
IP69K, mated
 - * Connector
Housing: Thermoplastic, Black
 - △E Pin: Copper alloy, Gold plated
Nut: Metal
Shield: Metal
Outer mold: Thermoplastic, Black
 - * Cable: UL2517, Shield, 22#*5C+AL/MY+B, OD=5.7, PVC Jacket, Black
 - * Cable length tolerance: 1M: +50/-0 mm
1M < L ≤ 3M: +100/-0 mm
3M < L ≤ 5M: +150/-0 mm
5M < L ≤ 10M: ±100 mm
10M < L ≤ 20M: ±200 mm
20M < L ≤ 30M: ±300 mm
30M < L ≤ 99M: ±500 mm

Pin Out	Shield	Braid
5	Gray	灰
4	Black	黑
3	Blue	藍
2	White	白
1	Brown	棕

Pin #	Wire
-------	------



Pin Assignments Front View

UNIT:mm		
TOLERANCE		
±0.5mm		

TITLE N SEN, M12 B -SHLD, SCREW CABLE W/O SR, M, M, MOLDING △F			
SCALE 3:2	SIZE A4	SHEET 1 OF 1	
REV. G	WC-REV. A.1	(QC): Inspection item	

Amphenol LTW
安費諾亮泰企業股份有限公司

ITEM NO	DRAWN BY Brady	DATE 2019/03/05
DWG NO △D MSBS-XXBMMM-SL8DXX	CHECKED BY Eagle	DATE 2019/03/05
CUSTOMER ALTW	APPROVED BY Neo	DATE 2019/03/05