
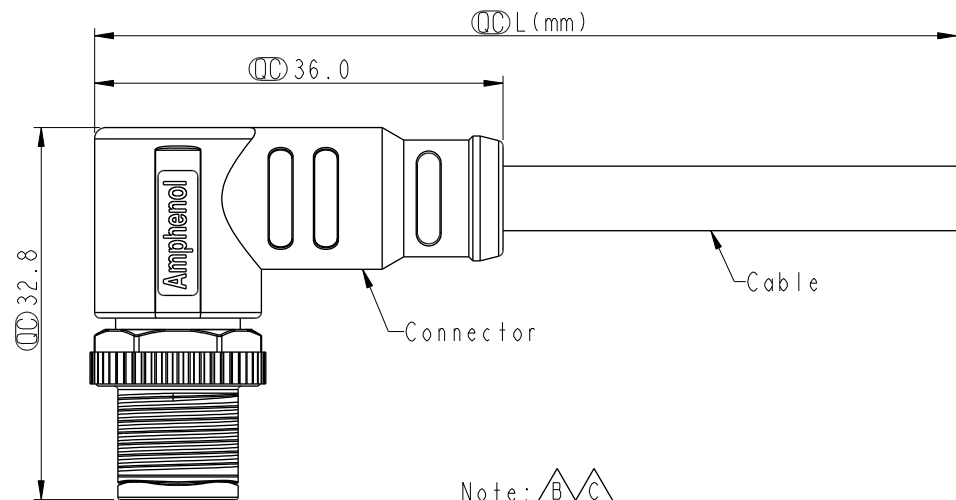
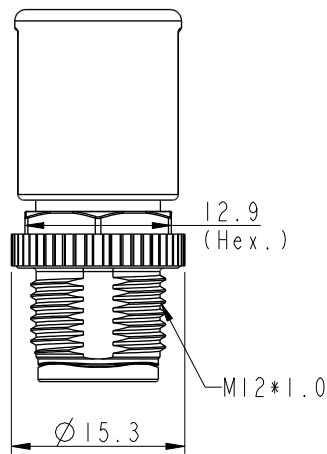


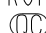



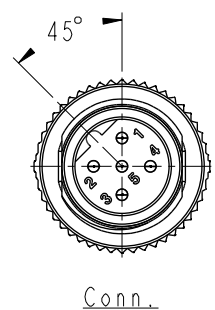
THIS DOCUMENT IS SUBJECT TO CHANGE WITHOUT NOTICE. IT IS CONFIDENTIAL AND A PROPERTY OF Amphenol LTW. DISCLOSURE TO THIRD PARTY HAS TO BE AUTHORIZED BY Amphenol LTW.

REV.	ECN NO.	DATE	SIGN	DESCRIPTION
B	C201524	2020/10/05	Vicky	X2
C	C210211	2021/03/19	Ruru	X1
D	C221876	2022/12/08	Ruru	X1

 MSBS-~~XX~~BMMM-SR8D~~XX~~
 XX: No. Of Pin
 XX: 01~99Meters
 01: 01Meter
 02: 02Meters
 ...
 99: 99Meters

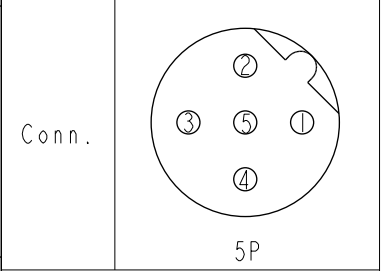


- Note:  
- * RoHS Compliant
 - *  Important dimension
 -  * Waterproof rate: IP68, mated 1m/24h
IP69K, mated
 - * Connector
 Housing: Thermoplastic, Black
 Pin: Copper alloy, Gold plated
 Nut: Metal
 Shield: Metal
 Outer mold: Thermoplastic, Black
 - * Cable: UL2517, Shield, 22#*5C+AL/MY+B, OD=5.7, PVC Jacket, Black
 - * Cable length tolerance: 1M: +50/-0 mm
 1M < L ≤ 3M: +100/-0 mm
 3M < L ≤ 5M: +150/-0 mm
 5M < L ≤ 10M: ±100 mm
 10M < L ≤ 20M: ±200 mm
 20M < L ≤ 30M: ±300 mm
 30M < L ≤ 99M: ±500 mm





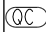
Pin Out	Shield	Braid
5	Gray	灰
4	Black	黑
3	Blue	藍
2	White	白
1	Brown	棕

Pin #	Wire
-------	------



Pin Assignments Front View

UNIT:mm		
TOLERANCE		
±0.5mm		

TITLE N SEN, M12 B -SHLD, SCREW CABLE W/O SR, M, M, MOLDING			
SCALE 3:2	SIZE A4	SHEET 1 OF 1	
REV. D	WC-REV. A.2	 : Inspection item	

Amphenol LTW
 安費諾亮泰企業股份有限公司

ITEM NO	DRAWN BY Brady Chung	DATE 2019/11/08
DWG NO MSBS-XXBMMM-SR8DXX	CHECKED BY Jane Wang	DATE 2019/11/08
CUSTOMER ALTW	APPROVED BY Neo Tsai	DATE 2019/11/08