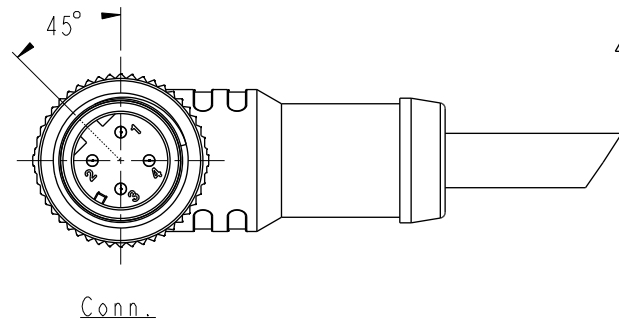
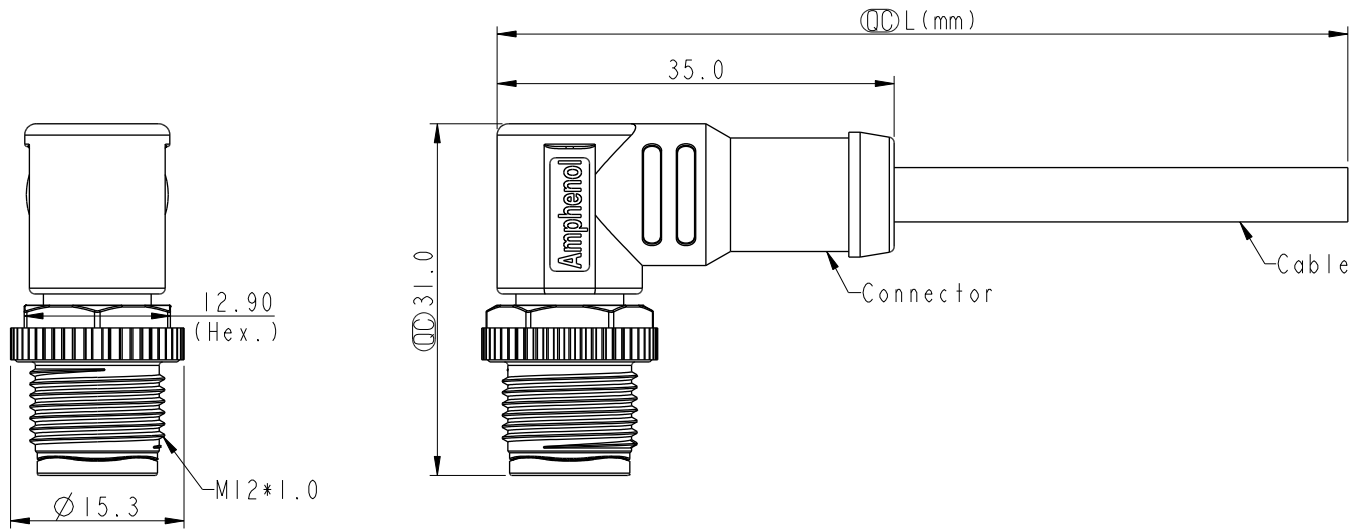




THIS DOCUMENT IS SUBJECT TO CHANGE WITHOUT NOTICE. IT IS CONFIDENTIAL AND A PROPERTY OF Amphenol LTW. DISCLOSURE TO THIRD PARTY HAS TO BE AUTHORIZED BY Amphenol LTW.

| REV. | ECN NO. | DATE | SIGN | DESCRIPTION |
|------|---------|------------|-------|------------------|
| D | C201548 | 2020/10/13 | Vicky | $\triangle D$ X4 |
| E | C210211 | 2021/03/22 | Ruru | $\triangle E$ X3 |
| F | C221876 | 2022/12/08 | Ruru | $\triangle F$ X1 |



Note: $\triangle D \triangle E$

- * RoHS Compliant
- * CC Important dimension
- * $\triangle F \triangle B$ Waterproof rate: IP68, mated 1m/24h IP69K, mated
- * Connector
 - Housing: Thermoplastic, Black
 - Pin: Copper alloy, Gold plated
 - Nut: Thermoplastic, Black
 - Outer mold: Thermoplastic, Black
- * Cable: UL2517, PVC Jacket, Yellow
- * Cable length tolerance: 1M: +50/-0 mm
 - 1M < L ≤ 3M: +100/-0 mm
 - 3M < L ≤ 5M: +150/-0 mm
 - 5M < L ≤ 10M: ±100 mm
 - 10M < L ≤ 20M: ±200 mm
 - 20M < L ≤ 30M: ±300 mm
 - 30M < L ≤ 99M: ±500 mm

UNIT: mm  

TOLERANCE

±0.5mm

| | | | |
|--|----------------|-------------------------------|--|
| TITLE N SEN, M12 D -PLASTIC, SCREW CABLE W/O SR, M, M, MOLDING $\triangle E$ | | | |
| SCALE 3:2 | SIZE A4 | SHEET 1 OF 2 | |
| REV. F | WC-REV. A.2 | CC : Inspection item | |

Amphenol LTW
安費諾亮泰企業股份有限公司

| | | |
|--|-------------------------|--------------------|
| ITEM NO. | DRAWN BY Yulong_wang | DATE 2017-01-07 |
| DWG NO. $\triangle A$ MSDP-XXBMM-SR8AXX | CHECKED BY Jinhai | DATE 2017-01-07 |
| CUSTOMER ALTW | APPROVED BY Jerry | DATE 2017-01-07 |

THIS DOCUMENT IS SUBJECT TO CHANGE WITHOUT NOTICE. IT IS CONFIDENTIAL AND A PROPERTY OF Amphenol LTW. DISCLOSURE TO THIRD PARTY HAS TO BE AUTHORIZED BY Amphenol LTW.

| | | | |
|----------|----------|-----|--------------------|
| 5P | 5.1 | 22 | MSDP-05BMMM-SR8AXX |
| 4P | 4.8 | | MSDP-04BMMM-SR8AXX |
| 3P | 4.5 | | MSDP-03BMMM-SR8AXX |
| Contacts | Cable OD | AWG | Item No. |

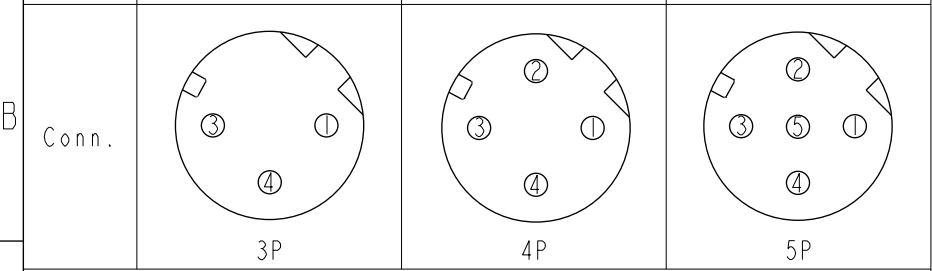
△
MSDP-XXBMMM-SR8AXX

XX: No. Of Pin

XX: 01~99Meters
 01: 01Meter
 02: 02Meters
 .
 99: 99Meters

| | | | | | | | | | |
|---------|-------|-------|---|-------|-------|---|-------|-------|---|
| Pin Out | 5 | -- | | 5 | -- | | 5 | Gray | 灰 |
| | 4 | Black | 黑 | 4 | Black | 黑 | 4 | Black | 黑 |
| | 3 | Blue | 藍 | 3 | Blue | 藍 | 3 | Blue | 藍 |
| | 2 | -- | | 2 | White | 白 | 2 | White | 白 |
| | 1 | Brown | 棕 | 1 | Brown | 棕 | 1 | Brown | 棕 |
| | Pin # | Wire | | Pin # | Wire | | Pin # | Wire | |

△B△C



Pin Assignments Front View

| | | | | |
|-----------|--------|-------|---|--------------------|
| UNIT:mm | | TITLE | N SEN, M12 D -PLASTIC, SCREW CABLE W/O SR, M, M, MOLDING △E | |
| TOLERANCE | ±0.5mm | SCALE | 3:2 | SIZE A4 |
| | | REV. | F | WC-REV. A.2 |
| | | | | SHEET 2 OF 2 |
| | | | | ◎: Inspection item |

Amphenol LTW
 安費諾亮泰企業股份有限公司

| | | |
|----------------------|-------------|------------|
| ITEM NO | DRAWN BY | DATE |
| | Yulong_wang | 2017-01-07 |
| DWG NO | CHECKED BY | DATE |
| △ MSDP-XXBMMM-SR8AXX | Jinhai | 2017-01-07 |
| CUSTOMER | APPROVED BY | DATE |
| ALTW | Jerry | 2017-01-07 |