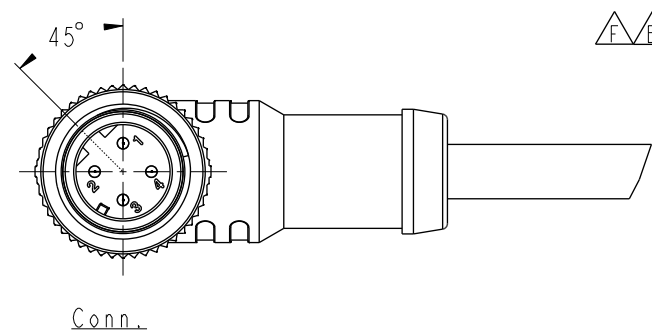
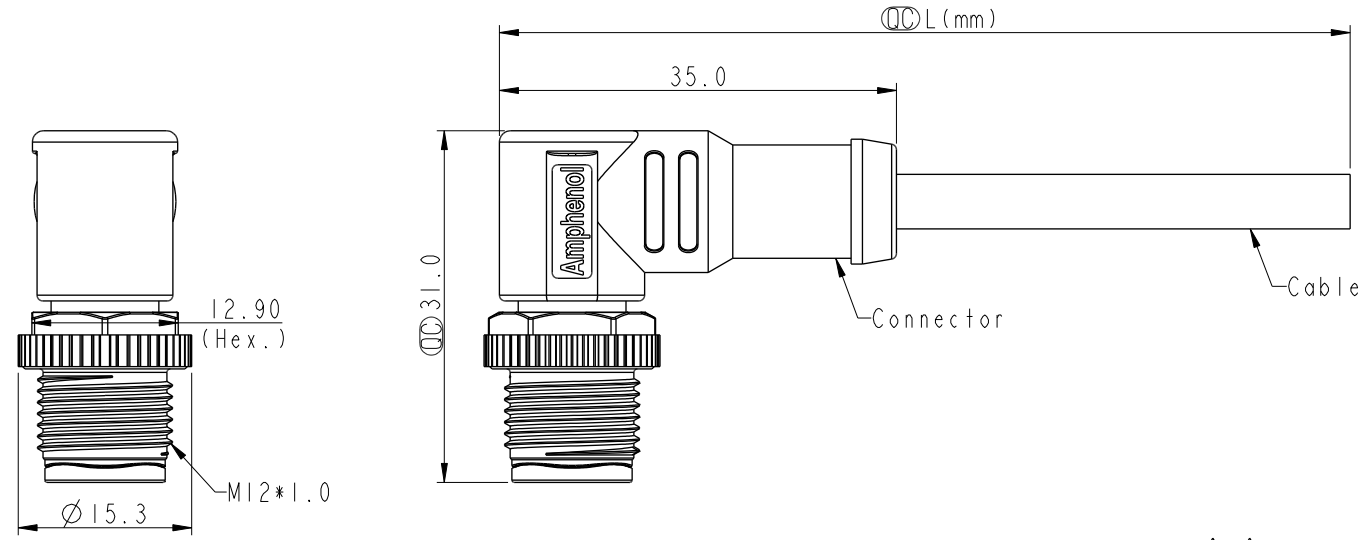


THIS DOCUMENT IS SUBJECT TO CHANGE WITHOUT NOTICE. IT IS CONFIDENTIAL AND A PROPERTY OF Amphenol LTW. DISCLOSURE TO THIRD PARTY HAS TO BE AUTHORIZED BY Amphenol LTW.

REV.	ECN NO.	DATE	SIGN	DESCRIPTION
D	C201548	2020/10/13	Vicky	$\triangle D$ X4
E	C210211	2021/03/22	Ruru	$\triangle E$ X3
F	C221876	2022/12/08	Ruru	$\triangle F$ X1



- Note: $\triangle D$ $\triangle E$
- * RoHS Compliant
 - * $\text{\textcircled{L}}$ Important dimension
 - * $\triangle F$ $\triangle B$ Waterproof rate: IP68, mated 1m/24h
IP69K, mated
 - * Connector
 - Housing: Thermoplastic, Black
 - Pin: Copper alloy, Gold plated
 - Nut: Thermoplastic, Black
 - Outer mold: Thermoplastic, Black
 - * Cable: UL20549, PUR Jacket, Black
 - * Cable length tolerance: 1M: +50/-0 mm
 - 1M < L ≤ 3M: +100/-0 mm
 - 3M < L ≤ 5M: +150/-0 mm
 - 5M < L ≤ 10M: ±100 mm
 - 10M < L ≤ 20M: ±200 mm
 - 20M < L ≤ 30M: ±300 mm
 - 30M < L ≤ 99M: ±500 mm

UNIT: mm		TITLE
TOLERANCE	$\pm 0.5\text{mm}$	N SEN, M12 D -PLASTIC, SCREW CABLE W/O SR, M, M, MOLDING $\triangle E$
SCALE	3:2	SIZE A4
REV.	F	SHEET 1 OF 2
	WC-REV. A.2	$\text{\textcircled{L}}$: Inspection item

Amphenol LTW
安費諾亮泰企業股份有限公司

ITEM NO.	DWG NO.	CUSTOMER	DRAWN BY	CHECKED BY	APPROVED BY	DATE
	MSDP-XXBMMM-SR8BXX	ALTW	Yulong_wang	Jinhai	Jerry	2017-01-07

THIS DOCUMENT IS SUBJECT TO CHANGE WITHOUT NOTICE. IT IS CONFIDENTIAL AND A PROPERTY OF Amphenol LTW. DISCLOSURE TO THIRD PARTY HAS TO BE AUTHORIZED BY Amphenol LTW.

5P	4.4	22	MSDP-05BMMM-SR8BXX
4P	4.0		MSDP-04BMMM-SR8BXX
3P	3.8		MSDP-03BMMM-SR8BXX
Contacts	Cable OD	AWG	Item No.

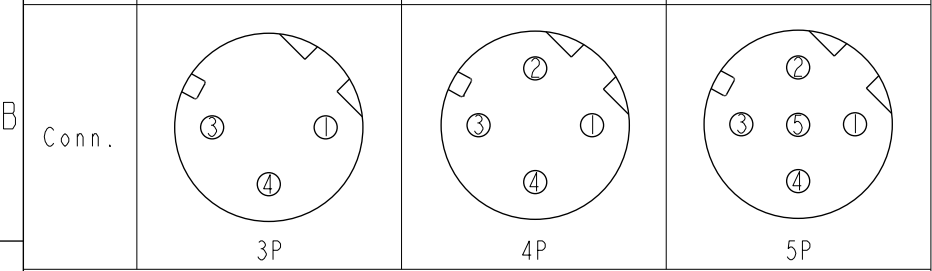
△
MSDP-XXBMMM-SR8BXX

XX: No. Of Pin


XX:01~99Meters
01:01Meter
02:02Meters
.
99:99Meters

Pin Out	5	--		5	--		5	Gray	灰
	4	Black	黑	4	Black	黑	4	Black	黑
	3	Blue	藍	3	Blue	藍	3	Blue	藍
	2	--		2	White	白	2	White	白
	1	Brown	棕	1	Brown	棕	1	Brown	棕
	Pin #	Wire		Pin #	Wire		Pin #	Wire	

△△



Pin Assignments Front View

UNIT:mm		TITLE	N SEN, M12 D -PLASTIC, SCREW CABLE W/O SR, M, M, MOLDING △	
TOLERANCE	±0.5mm	SCALE	3:2	SIZE A4
		REV.	F	WC-REV. A.2
				◎: Inspection item

Amphenol LTW
安費諾亮泰企業股份有限公司

ITEM NO	DRAWN BY	DATE
	Yulong_wang	2017-01-07
DWG NO	CHECKED BY	DATE
△ MSDP-XXBMMM-SR8BXX	Jinhai	2017-01-07
CUSTOMER	APPROVED BY	DATE
ALTW	Jerry	2017-01-07