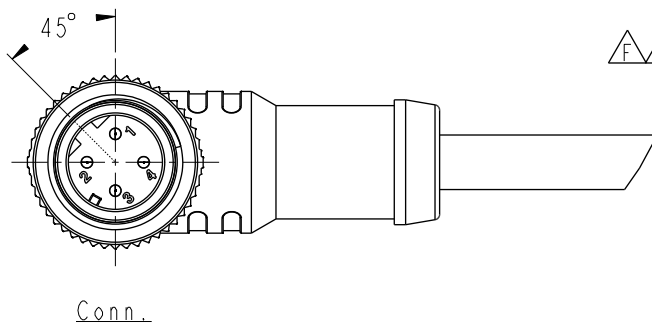
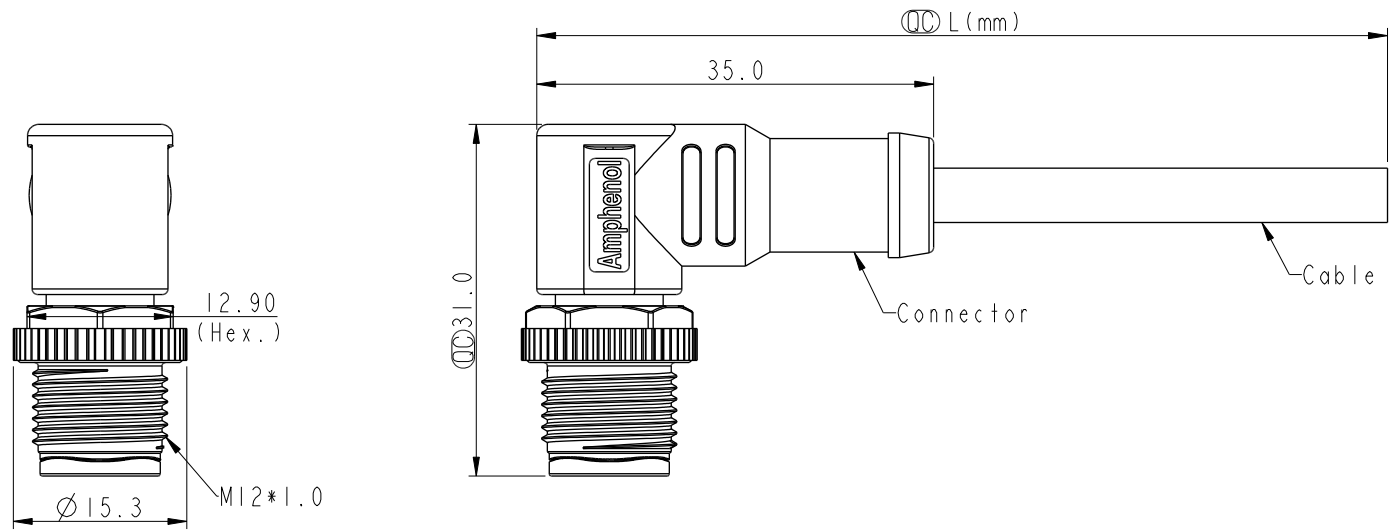


THIS DOCUMENT IS SUBJECT TO CHANGE WITHOUT NOTICE. IT IS CONFIDENTIAL AND A PROPERTY OF Amphenol LTW. DISCLOSURE TO THIRD PARTY HAS TO BE AUTHORIZED BY Amphenol LTW.

REV.	ECN NO.	DATE	SIGN	DESCRIPTION
D	C201548	2020/10/13	Vicky	$\triangle D$ X4
E	C210211	2021/03/22	Ruru	$\triangle E$ X3
F	C221876	2022/12/08	Ruru	$\triangle F$ X1



Note: $\triangle D$ $\triangle E$
 * RoHS Compliant
 * CC Important dimension
 * $\triangle F$ $\triangle B$ Waterproof rate: IP68, mated 1m/24h
 IP69K, mated

* Connector
 Housing: Thermoplastic, Black
 Pin: Copper alloy, Gold plated
 Nut: Thermoplastic, Black
 Outer mold: Thermoplastic, Black
 * Cable: UL2517, PVC Jacket, Black
 * Cable length tolerance: 1M: +50/-0 mm
 1M < L ≤ 3M: +100/-0 mm
 3M < L ≤ 5M: +150/-0 mm
 5M < L ≤ 10M: ±100 mm
 10M < L ≤ 20M: ±200 mm
 20M < L ≤ 30M: ±300 mm
 30M < L ≤ 99M: ±500 mm

UNIT: mm
 TOLERANCE
 ±0.5mm

TITLE N SEN, M12 D -PLASTIC, SCREW CABLE W/O SR, M, M, MOLDING $\triangle E$			
SCALE 3:2	SIZE A4	SHEET 1 OF 2	
REV. F	WC-REV. A.2	CC : Inspection item	

Amphenol LTW
 安費諾亮泰企業股份有限公司

ITEM NO.	DRAWN BY Yulong_wang	DATE 2017-01-07
DWG NO. $\triangle A$ MSDP-XXBMM-SR8DXX	CHECKED BY Jinhai	DATE 2017-01-07
CUSTOMER ALTW	APPROVED BY Jerry	DATE 2017-01-07

THIS DOCUMENT IS SUBJECT TO CHANGE WITHOUT NOTICE. IT IS CONFIDENTIAL AND A PROPERTY OF Amphenol LTW. DISCLOSURE TO THIRD PARTY HAS TO BE AUTHORIZED BY Amphenol LTW.

5P	5.1	22	MSDP-05BMMM-SR8DXX
4P	4.8		MSDP-04BMMM-SR8DXX
3P	4.5		MSDP-03BMMM-SR8DXX
Contacts	Cable OD	AWG	Item No.

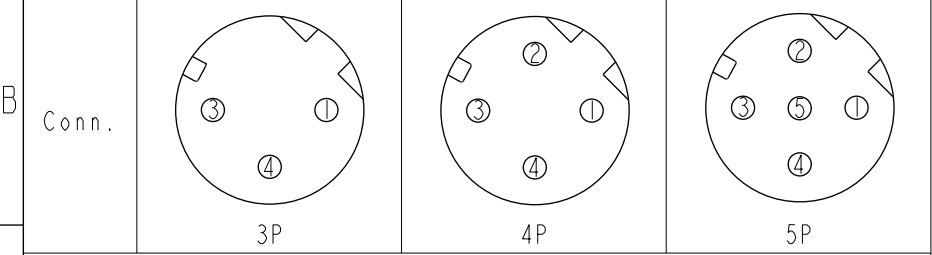
△
MSDP-XXBMMM-SR8DXX

XX: No. Of Pin


XX:01~99Meters
01:01Meter
02:02Meters
.
99:99Meters

Pin Out	5	--		5	--		5	Gray	灰
	4	Black	黑	4	Black	黑	4	Black	黑
	3	Blue	藍	3	Blue	藍	3	Blue	藍
	2	--		2	White	白	2	White	白
	1	Brown	棕	1	Brown	棕	1	Brown	棕
	Pin #	Wire		Pin #	Wire		Pin #	Wire	

△B△C



Pin Assignments Front View

UNIT:mm		TITLE	N SEN, M12 D -PLASTIC, SCREW CABLE W/O SR, M, M, MOLDING △	
TOLERANCE	±0.5mm	SCALE	3:2	SIZE A4
		REV.	F	WC-REV. A.2
				◎: Inspection item
				SHEET 2 OF 2

Amphenol LTW
安費諾亮泰企業股份有限公司

ITEM NO	MSDP-XXBMMM-SR8DXX	DRAWN BY	Yulong_wang	DATE	2017-01-07
DWG NO	MSDP-XXBMMM-SR8DXX	CHECKED BY	Jinhai	DATE	2017-01-07
CUSTOMER	ALTW	APPROVED BY	Jerry	DATE	2017-01-07