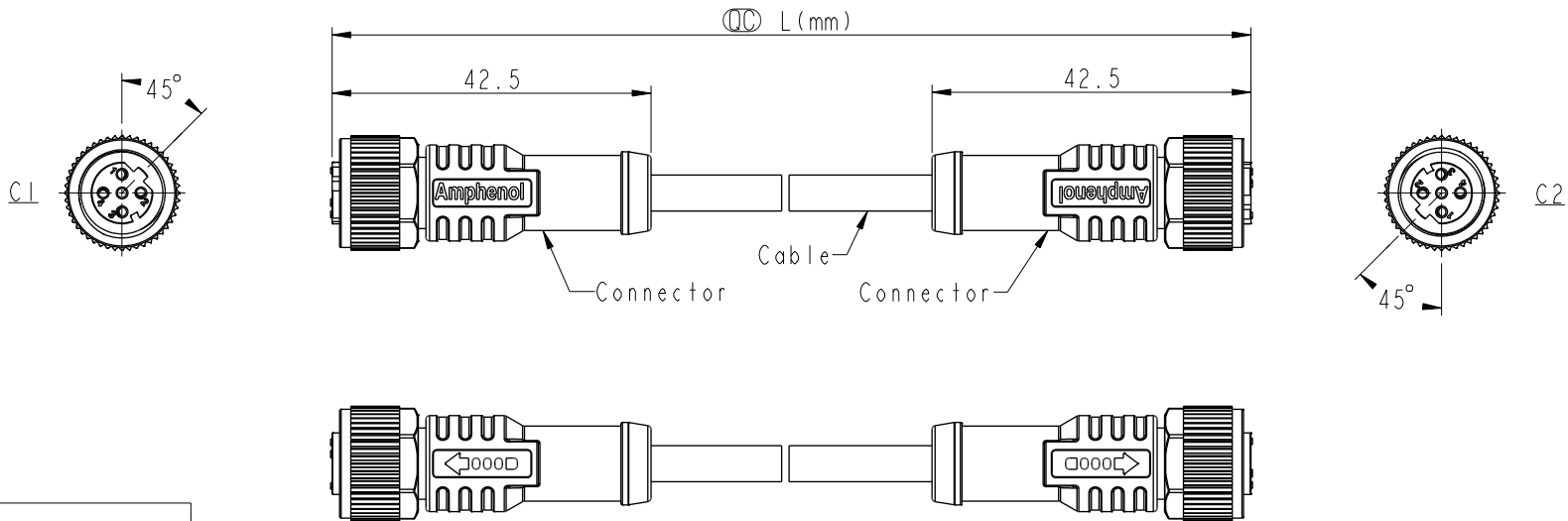
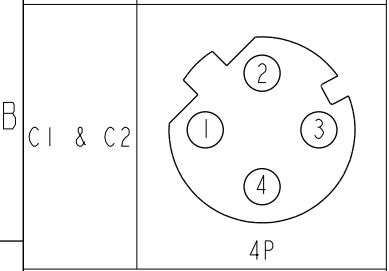


THIS DOCUMENT IS SUBJECT TO CHANGE WITHOUT NOTICE. IT IS CONFIDENTIAL AND A PROPERTY OF Amphenol LTW. DISCLOSURE TO THIRD PARTY HAS TO BE AUTHORIZED BY Amphenol LTW.

REV.	ECN NO.	DATE	SIGN	DESCRIPTION
B	C201786	2020/11/17	Ruru	$\triangle B$ X3
C	C210237	2021/03/25	Ruru	$\triangle C$ X2
D	C230014	2022/12/30	Ruru	$\triangle D$ X1



Pin Out	Wire	Color
5	--	
4	Black	黑
3	Blue	藍
2	White	白
1	Brown	棕



Pin Assignments Front View

UNIT:mm	
TOLERANCE	$\pm 0.5$ mm

$\triangle B$  MSDPXXFL-SDPFL-SBXXX  
 XX: No. Of Pin  
 XXX: 0.5~99Meters  
 A05: 0.5 Meter  
 1: 01 Meter  
 2: 02 Meters  
 :  
 99: 99 Meters

- Note:  $\triangle B$   $\triangle C$
- \* RoHS Compliant
  - \*  $\text{CC}$  Important dimension
  - $\triangle D$ \* Waterproof rate: IP68, mated 1m/24h  
IP69K, mated
  - \* Connector:  
 Housing: Thermoplastic, Black  
 Pin: Copper alloy, Gold plated  
 O-Ring: Rubber, Green  
 Nut: Thermoplastic, Black  
 Outer mold: Thermoplastic, Black
  - \* Cable: UL20549, 22#4C, OD=4.0mm, PUR Jacket, Black
  - \* Cable length tolerance:
    - 0.5M < L  $\leq$  1M: +60/-0 mm
    - 1M < L  $\leq$  3M: +120/-0 mm
    - 3M < L  $\leq$  5M: +160/-0 mm
    - 5M < L  $\leq$  10M:  $\pm 100$  mm
    - 10M < L  $\leq$  20M:  $\pm 200$  mm
    - 20M < L  $\leq$  30M:  $\pm 300$  mm
    - 30M < L  $\leq$  99M:  $\pm 500$  mm

TITLE ACC, SEN, D Code, DB-ENDED FF $\triangle C$			
SCALE 1:2	SIZE A4	SHEET 1 OF 1	
REV. D	WC-REV.	$\text{CC}$ : Inspection item	

**Amphenol LTW**  
 安費諾亮泰企業股份有限公司

ITEM NO	DRAWN BY Vicky	DATE 2018-12-12
DWG NO $\triangle B$ MSDPXXFL-SDPFL-SBXXX	CHECKED BY Rita	DATE 2018-12-12
CUSTOMER ALTW	APPROVED BY Max	DATE 2018-12-12