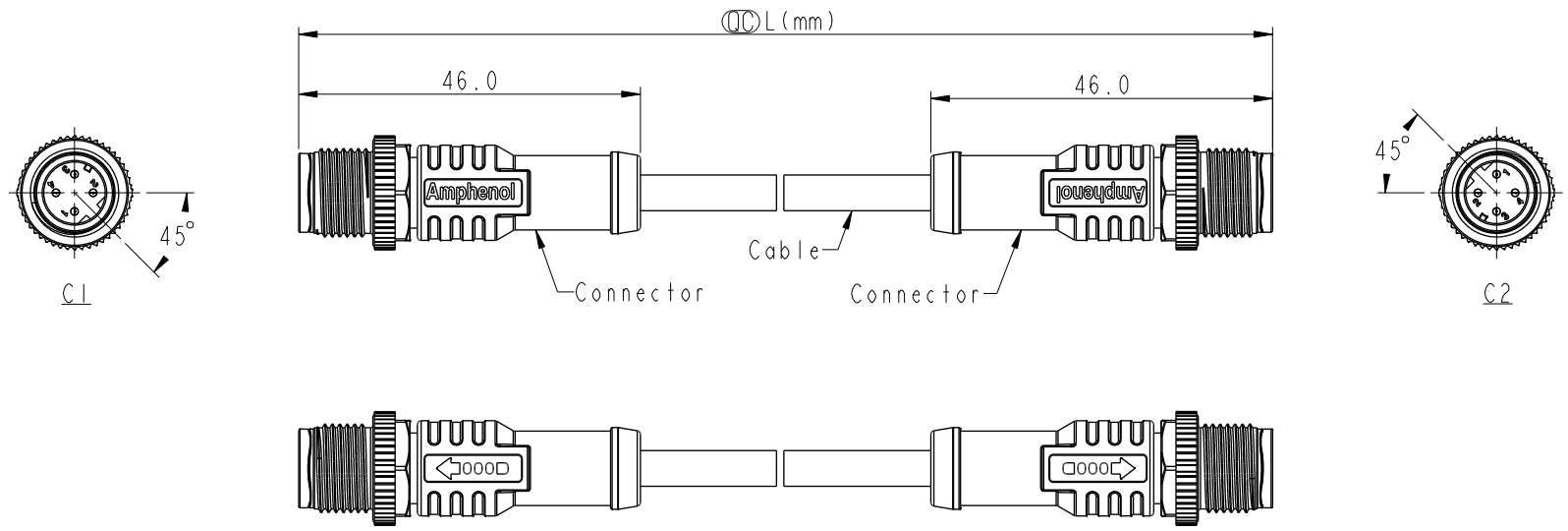


THIS DOCUMENT IS SUBJECT TO CHANGE WITHOUT NOTICE. IT IS CONFIDENTIAL AND A PROPERTY OF Amphenol LTW. DISCLOSURE TO THIRD PARTY HAS TO BE AUTHORIZED BY Amphenol LTW.

REV.	ECN NO.	DATE	SIGN	DESCRIPTION
B	C201809	2020/11/20	Vicky	△B X3
C	C210237	2021/03/29	Ruru	△C X2
D	C230014	2022/12/30	Ruru	△D X1



Pin Out	5	--	
	4	Black	黑
	3	Blue	藍
	2	White	白
	1	Brown	棕
	Pin #	Wire	

C1 & C2				
	①	②	③	④
	4P			

△BMSDPXXML-SDPML-SBXXX  
 XX: No. Of Pin  
 XXX: 0.5~99Meters  
 A05: 0.5 Meter  
 001: 1 Meter  
 002: 2 Meters  
 :  
 099: 99 Meters

- Note: △B △C  
 \* RoHS Compliant  
 \* ∅ Important dimension  
 △D \* Waterproof rate: IP68, mated 1m/24h  
 IP69K, mated
- \* Connector:  
 Housing: Thermoplastic, Black  
 Pin: Copper alloy, Gold plated  
 Nut: Thermoplastic, Black  
 Outer mold: Thermoplastic, Black
- \* Cable: UL20549, 22#4C, OD=4.0mm, PUR Jacket, Black  
 \* Cable length tolerance: 0.5M < L ≤ 1M: +60/-0 mm  
 1M < L ≤ 3M: +120/-0 mm  
 3M < L ≤ 5M: +160/-0 mm  
 5M < L ≤ 10M: ±100 mm  
 10M < L ≤ 20M: ±200 mm  
 20M < L ≤ 30M: ±300 mm  
 30M < L ≤ 99M: ±500 mm

UNIT:mm TOLERANCE ±0.5 mm	TITLE ACC, SEN, D Code, DB-ENDED MM		Amphenol LTW 安費諾亮泰企業股份有限公司	ITEM NO	DRAWN BY Ruru	DATE 2018-12-12		
	SCALE 1:2	SIZE A4		SHEET 1	OF 1	DWG NO △BMSDPXXML-SDPML-SBXXX	CHECKED BY Rita	DATE 2018-12-12
	REV. D	WC-REV. A.5		∅: Inspection item		CUSTOMER ALTW	APPROVED BY Max	DATE 2018-12-12