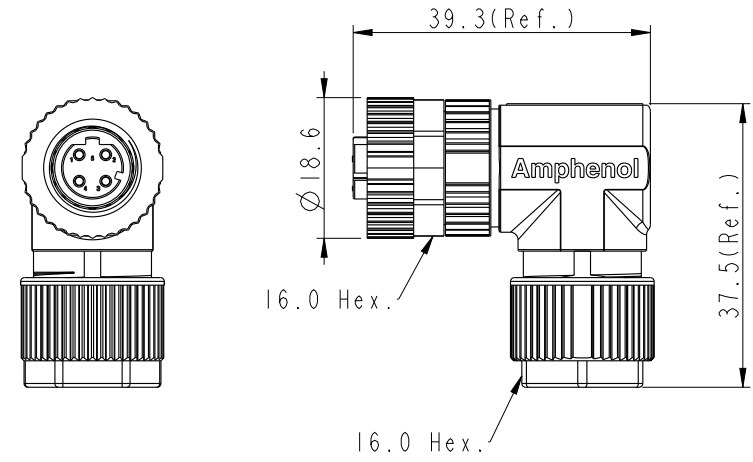
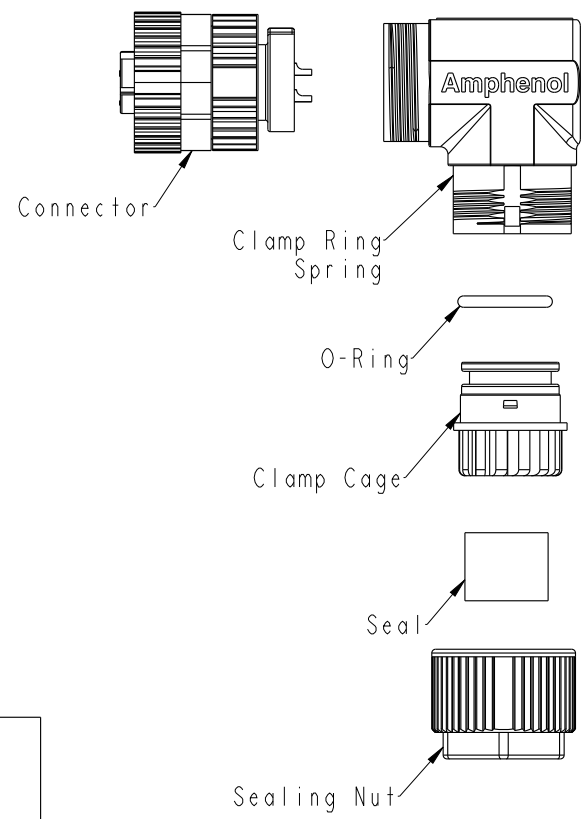
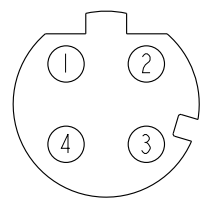


THIS DOCUMENT IS SUBJECT TO CHANGE WITHOUT NOTICE. IT IS CONFIDENTIAL AND A PROPERTY OF Amphenol LTW. DISCLOSURE TO THIRD PARTY HAS TO BE AUTHORIZED BY Amphenol LTW.

REV.	ECN NO.	DATE	SIGN	DESCRIPTION



- Note:
- \*  $\varnothing$  Important Dimension To Check.
  - \* Waterproof Rate: IP67
  - \* Housing: Thermoplastic, Black.
  - \* Clamp Cage: Thermoplastic, Black.
  - \* Pin: Copper Alloy, Gold Plated.
  - \* Nut: Matel.
  - \* O-Ring: Rubber, Grey.
  - \* Clamp Ring: Matel.
  - \* Sealing Nut: Matel.
  - \* Seal: Rubber, Grey.
  - \* Seal For Cable OD:  $\varnothing 4.0\text{mm} \sim \varnothing 7.5\text{mm}$
  - \* Applicable Wire gauge (Stranded wire cross section) 26AWG ~24AWG
  - \* Mating Recommended tightening torque: 3~4 kgf.cm / 0.29~0.39 N.m
  - \* Sealing-Nut Recommended tightening torque: 4~6 kgf.cm / 0.39~0.59 N.m
  - \* Detailed applicable wire specifications may vary depending on the actual wire construction.



Pin Assignment  
Front View

UNIT: mm	$\varnothing$	$\nabla$
TOLERANCE		
.X	$\pm 0.25$	
.XX	$\pm 0.1$	
.XXX	$\pm 0.05$	
ANGLES	$\pm 1^\circ$	

TITLE M12D Shielded Assy F Conn. F Pin			
SCALE 1:1	SIZE A4	SHEET 1 OF 1	
REV. A	WC-REV. A.5	$\varnothing$ : Inspection item	

**Amphenol LTW**  
安費諾亮泰企業股份有限公司

ITEM NO. MSDS-04BFFA-SR7001	DRAWN BY JC Chen	DATE 2020-04-18
DWG NO. MSDS-04BFFA-SR7001	CHECKED BY Li Feng	DATE 2020-04-18
CUSTOMER ALTW	APPROVED BY Jerry	DATE 2020-04-18