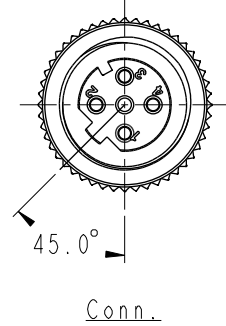
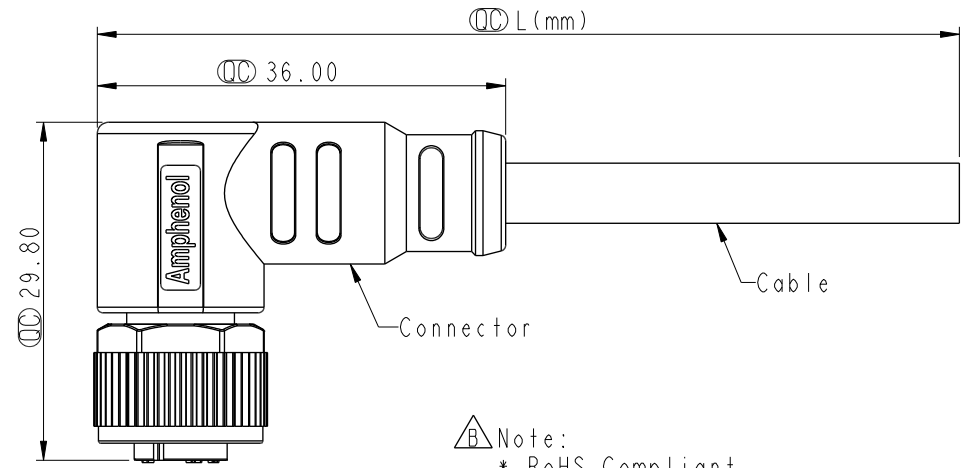
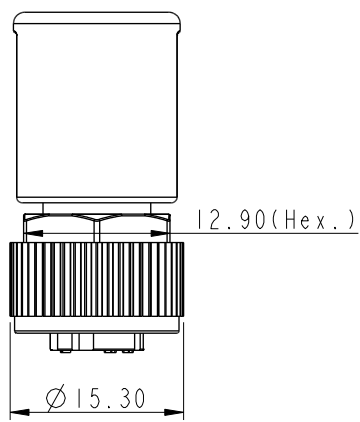


THIS DOCUMENT IS SUBJECT TO CHANGE WITHOUT NOTICE. IT IS CONFIDENTIAL AND A PROPERTY OF Amphenol LTW. DISCLOSURE TO THIRD PARTY HAS TO BE AUTHORIZED BY Amphenol LTW.

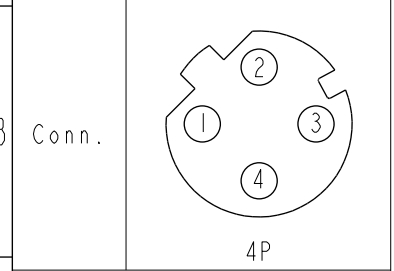
REV.	ECN NO.	DATE	SIGN	DESCRIPTION
A	Initial Released	2019/11/08	Brady	Initial Released.
B	C210211	2021/03/22	Ruru	$\triangle B$ XI
C	C221951	2022/12/16	Ruru	$\triangle C$ XI

MSDS-XXBFFM-SR8BXX
 $\triangle B$
 XX: No. Of Pin
 XX: 01~99Meters
 01: 01Meter
 02: 02Meters
 ...
 99: 99Meters



- $\triangle B$ Note:
- * RoHS Compliant
 - * $\text{\textcircled{C}}$ Important dimension
 - $\triangle C$ * Waterproof rate: IP68, mated 1m/24h
IP69K, mated
 - * Connector
 Housing: Thermoplastic, Black
 Pin: Copper alloy, Gold plated
 O-Ring: Rubber, Gray
 Nut: Metal
 Shield: Metal
 Outer mold: Thermoplastic, Black
 - * Cable: UL20549, Shield, 22#*4C+AL/MY+B, OD=5.3, PU Jacket, Black
 - * Cable length tolerance: 1M: +50/-0 mm
 1M < L \leq 3M: +100/-0 mm
 3M < L \leq 5M: +150/-0 mm
 5M < L \leq 10M: \pm 100 mm
 10M < L \leq 20M: \pm 200 mm
 20M < L \leq 30M: \pm 300 mm
 30M < L \leq 99M: \pm 500 mm

Pin Out	Shield	Braid
4	Black	黑
3	Blue	藍
2	White	白
1	Brown	棕
Pin #	Wire	



Pin Assignments Front View

UNIT:mm	$\text{\textcircled{C}}$	$\text{\textcircled{C}}$
TOLERANCE		
$\pm 0.5\text{mm}$		

TITLE N SEN, M12 B -SHLD, SCREW CABLE W/O SR, F, F, MOLDING			
SCALE 3:2	SIZE A4	SHEET 1 OF 1	
REV. C	WC-REV. A.5	$\text{\textcircled{C}}$: Inspection item	

Amphenol LTW
 安費諾亮泰企業股份有限公司

ITEM NO	DRAWN BY Brady Chung	DATE 2019/11/08
DWG NO MSDS-XXBFFM-SR8BXX	CHECKED BY Jane Wang	DATE 2019/11/08
CUSTOMER ALTW	APPROVED BY Neo Tsai	DATE 2019/11/08