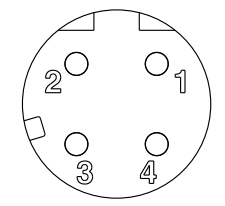
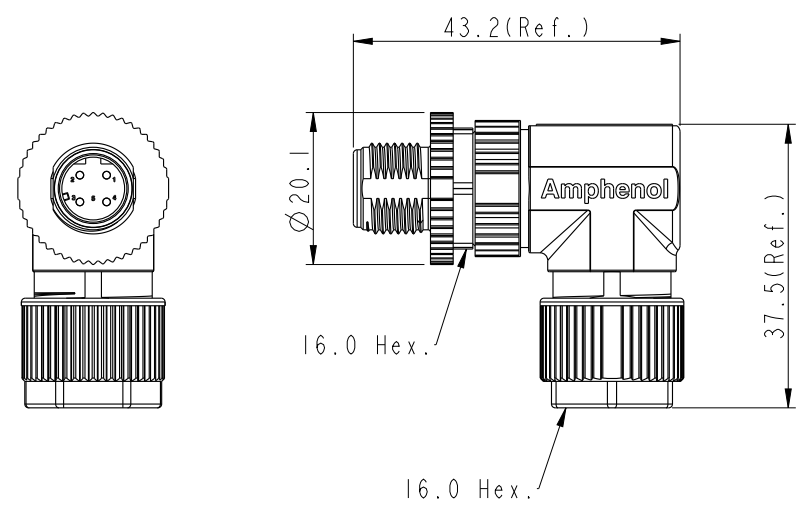
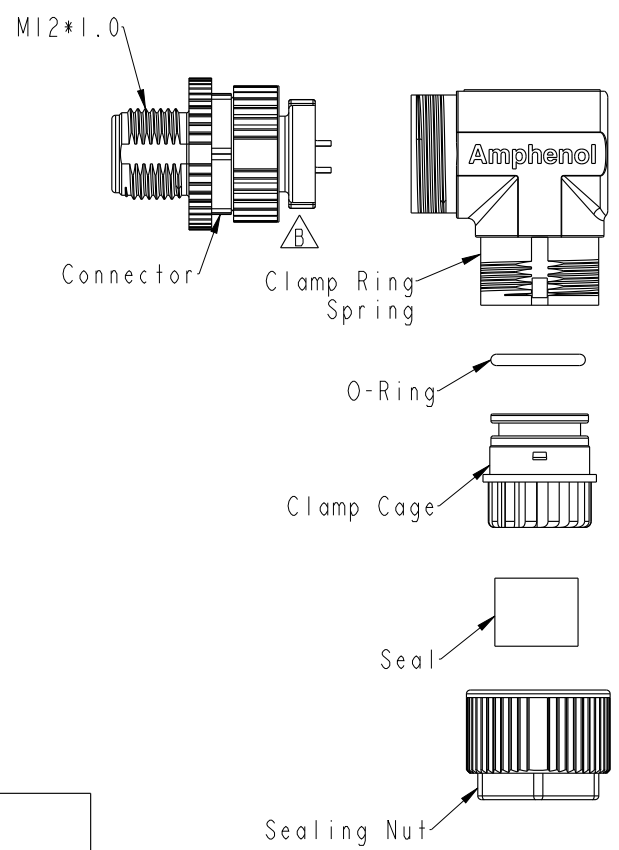


THIS DOCUMENT IS SUBJECT TO CHANGE WITHOUT NOTICE. IT IS CONFIDENTIAL AND A PROPERTY OF Amphenol LTW. DISCLOSURE TO THIRD PARTY HAS TO BE AUTHORIZED BY Amphenol LTW.

REV.	ECN NO.	DATE	SIGN	DESCRIPTION
B	C200793	2020-06-03	JC Chen	△BXI



Pin Assignments
Front View

- Note:
- * \varnothing Important Dimension To Check.
 - * Waterproof Rate: IP67
 - * Housing: Thermoplastic, Black.
 - * Clamp Cage: Thermoplastic, Black.
 - * Pin: Copper Alloy, Gold Plated.
 - * Nut: Matel.
 - * O-Ring: Rubber, Grey.
 - * Clamp Ring: Matel.
 - * Sealing Nut: Matel.
 - * Seal: Rubber, Grey.
 - * Seal For Cable OD: $\varnothing 4.0\text{mm} \sim \varnothing 7.5\text{mm}$
 - * Applicable Wire gauge (Stranded wire cross section)
26AWG ~24AWG
 - * Mating Recommended tightening torque:
3~4 kgf.cm / 0.29~0.39 N.m
 - * Sealing-Nut Recommended tightening torque:
4~6 kgf.cm / 0.39~0.59 N.m
 - * Detailed applicable wire specifications may vary depending on the actual wire construction.

UNIT: mm		
TOLERANCE		
.X	± 0.25	
.XX	± 0.1	
.XXX	± 0.05	
ANGLES	$\pm 1^\circ$	

TITLE M12D Shielded Assy M Conn. M Pin			
SCALE 1:1	SIZE A4	SHEET 1 OF 1	
REV. B	WC-REV. A.5	QC: Inspection item	

Amphenol LTW
安費諾亮泰企業股份有限公司

ITEM NO. MSDS-04BMMA-SR7001	DRAWN BY JC Chen	DATE 2020-04-18
DWG NO. MSDS-04BMMA-SR7001	CHECKED BY Li Feng	DATE 2020-04-18
CUSTOMER ALTW	APPROVED BY Jerry	DATE 2020-04-18