

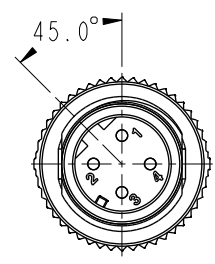
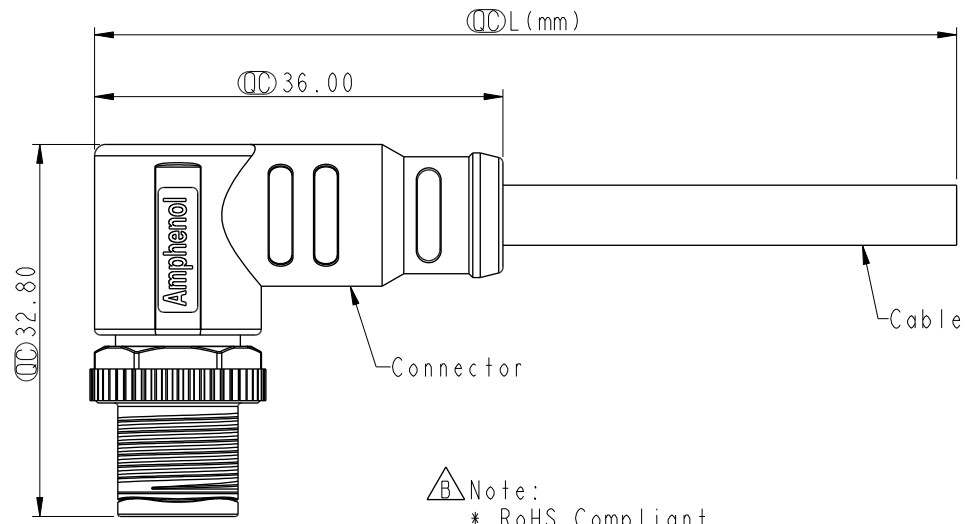
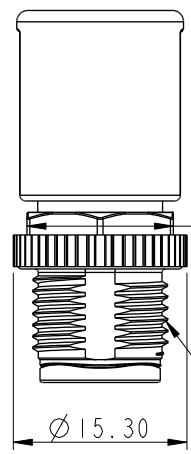
THIS DOCUMENT IS SUBJECT TO CHANGE WITHOUT NOTICE. IT IS CONFIDENTIAL AND A PROPERTY OF Amphenol LTW. DISCLOSURE TO THIRD PARTY HAS TO BE AUTHORIZED BY Amphenol LTW.

REV.	ECN NO.	DATE	SIGN	DESCRIPTION
A	Initial Released	2019/11/08	Brady	Initial Released.
B	C210211	2021/03/22	Ruru	$\triangle B$ X2
C	C221951	2022/12/16	Ruru	$\triangle C$ X1

$\triangle B$
MSDS-XXBMMM-SR8BXX

XX: No. Of Pin

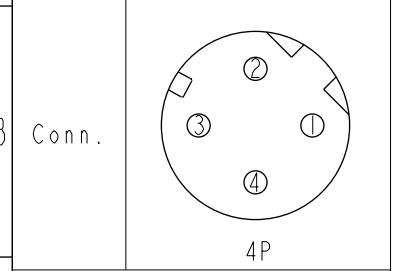
XX: 01~99Meters
01: 01Meter
02: 02Meters
...
99: 99Meters



Conn.

- $\triangle B$ Note:
- * RoHS Compliant
 - * $\text{\textcircled{C}}$ Important dimension
 - $\triangle C$ * Waterproof rate: IP68, mated 1m/24h
IP69K, mated
 - * Connector
 - Housing: Thermoplastic, Black
 - Pin: Copper alloy, Gold plated
 - Nut: Metal
 - Shield: Metal
 - Outer mold: Thermoplastic, Black
 - * Cable: UL20549, Shield, 22#*4C+AL/MY+B, OD=5.3, PU Jacket, Black
 - * Cable length tolerance:
 - 1M < L \leq 3M: +100/-0 mm
 - 3M < L \leq 5M: +150/-0 mm
 - 5M < L \leq 10M: \pm 100 mm
 - 10M < L \leq 20M: \pm 200 mm
 - 20M < L \leq 30M: \pm 300 mm
 - 30M < L \leq 99M: \pm 500 mm

Pin Out	Shield	Braid
4	Black	黑
3	Blue	藍
2	White	白
1	Brown	棕
Pin #	Wire	



Pin Assignments Front View

UNIT:mm	
TOLERANCE	$\pm 0.5\text{mm}$

TITLE N SEN, M12 D -SHLD, SCREW CABLE W/O SR, M, M, MOLDING			
SCALE 3:2	SIZE A4	SHEET 1 OF 1	
REV. C	WC-REV. A.5	$\text{\textcircled{C}}$: Inspection item	

Amphenol LTW
安費諾亮泰企業股份有限公司

ITEM NO	DRAWN BY Brady Chung	DATE 2019/11/08
DWG NO MSDS-XXBMMM-SR8BXX	CHECKED BY Jane Wang	DATE 2019/11/08
CUSTOMER ALTW	APPROVED BY Neo Tsai	DATE 2019/11/08