

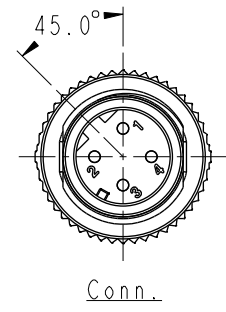
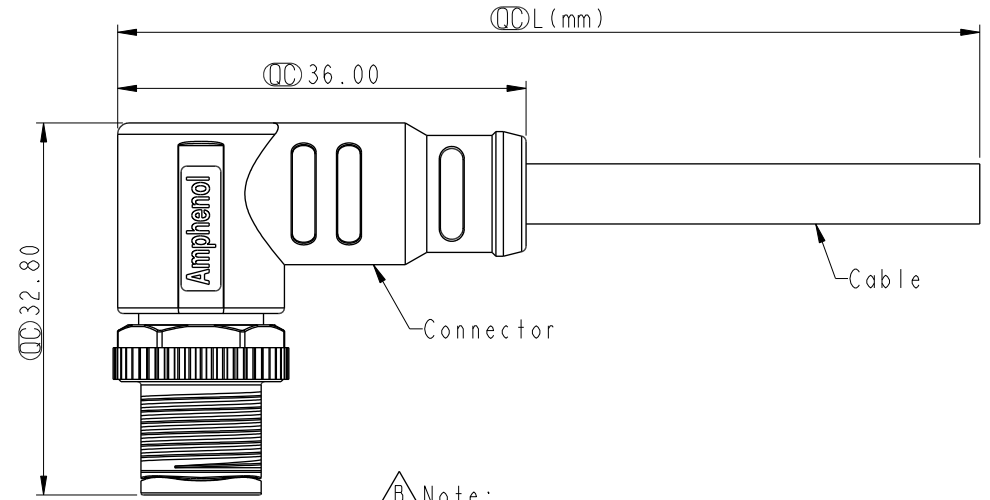
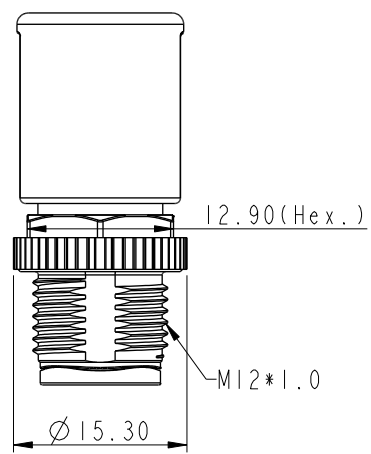
THIS DOCUMENT IS SUBJECT TO CHANGE WITHOUT NOTICE. IT IS CONFIDENTIAL AND A PROPERTY OF Amphenol LTW. DISCLOSURE TO THIRD PARTY HAS TO BE AUTHORIZED BY Amphenol LTW.

REV.	ECN NO.	DATE	SIGN	DESCRIPTION
A	Initial Released	2019/11/08	Brady	Initial Released.
B	C210211	2021/03/22	Ruru	$\triangle_B$ X2
C	C221951	2022/12/16	Ruru	$\triangle_C$ X1

$\triangle_B$   
MSDS-XXBMMM-SR8DXX

XX: No. Of Pin

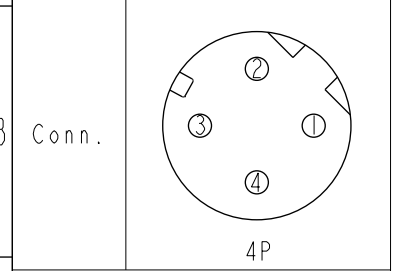
XX: 01~99Meters  
01: 01Meter  
02: 02Meters  
:  
99: 99Meters



$\triangle_B$ Note:

- \* RoHS Compliant
- \*  $\text{\textcircled{C}}$  Important dimension
- $\triangle_C$ \* Waterproof rate: IP68, mated 1m/24h  
IP69K, mated
- \* Connector  
Housing: Thermoplastic, Black  
Pin: Copper alloy, Gold plated  
Nut: Metal  
Shield: Metal  
Outer mold: Thermoplastic, Black
- \* Cable: UL2517, Shield, 22#\*4C+AL/MY+B, OD=5.3, PVC Jacket, Black
- \* Cable length tolerance: 1M: +50/-0 mm  
1M < L ≤ 3M: +100/-0 mm  
3M < L ≤ 5M: +150/-0 mm  
5M < L ≤ 10M: ±100 mm  
10M < L ≤ 20M: ±200 mm  
20M < L ≤ 30M: ±300 mm  
30M < L ≤ 99M: ±500 mm

Pin Out	Shield	Braid
4	Black	黑
3	Blue	藍
2	White	白
1	Brown	棕
Pin #	Wire	



Pin Assignments Front View

UNIT:mm	
TOLERANCE	±0.5mm

TITLE N SEN, M12 D -SHLD, SCREW CABLE W/O SR, M, M, MOLDING			
SCALE 3:2	SIZE A4	SHEET 1 OF 1	
REV. C	WC-REV. A.5	$\text{\textcircled{C}}$ : Inspection item	

**Amphenol LTW**  
安費諾亮泰企業股份有限公司

ITEM NO	DRAWN BY Brady Chung	DATE 2019/11/08
DWG NO MSDS-XXBMMM-SR8DXX	CHECKED BY Jane Wang	DATE 2019/11/08
CUSTOMER ALTW	APPROVED BY Neo Tsai	DATE 2019/11/08