

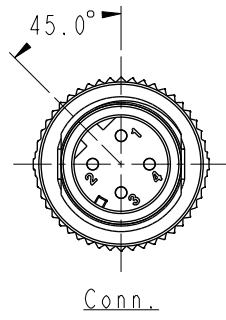
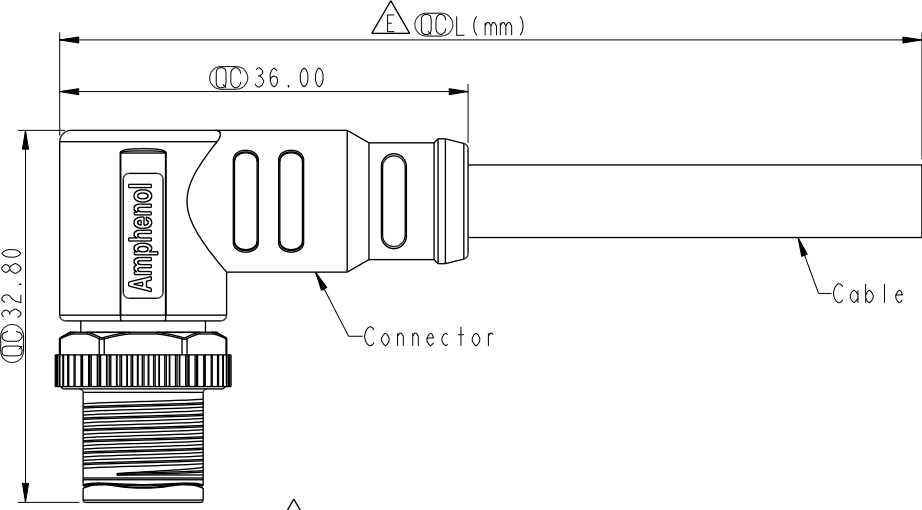
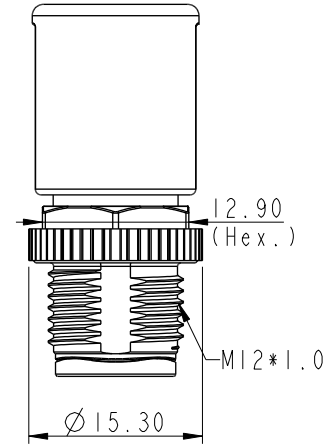
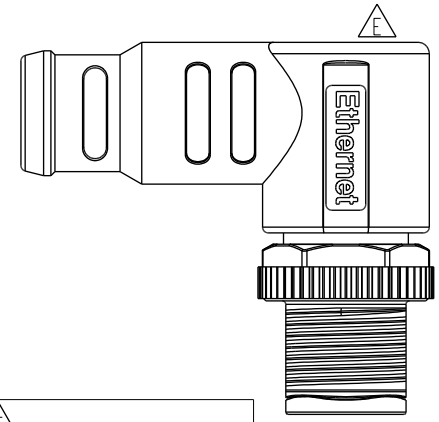
THIS DOCUMENT IS SUBJECT TO CHANGE WITHOUT NOTICE. IT IS CONFIDENTIAL AND A PROPERTY OF Amphenol LTW. DISCLOSURE TO THIRD PARTY HAS TO BE AUTHORIZED BY Amphenol LTW.

REV.	ECN NO.	DATE	SIGN	DESCRIPTION
C	C211583	2021/10/21	Scott	$\triangle C$ X1
D	C221951	2022/12/16	Ruru	$\triangle D$ X1
E	C230039	2023/01/10	Jiahe Lin	$\triangle E$ X4

$\triangle B$
MSDS-XXBMMM-SR8EXX

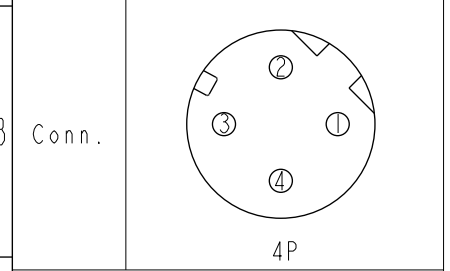
XX: No. Of Pin

XX: 01~99Meters
01: 01Meter
02: 02Meters
⋮
99: 99Meters



- $\triangle B$ Note:
- * RoHS Compliant
 - * \odot Important dimension
 - $\triangle D$ * Waterproof rate: IP68, mated 1m/24h, IP69K mated
 - * Connector
 - Housing: Thermoplastic, Black
 - Pin: Copper alloy, Gold plated
 - Nut: Metal
 - Shield: Metal
 - Outer mold: Thermoplastic, Black
 - $\triangle E$ * Cable: CAT-5E, 24#*2P+AL/MY+B+F, OD=6.4mm, TPU Jacket, Blue
 - * Cable length tolerance: 1M: +50/-0 mm

Pin Out	Wire (Cat5e)	Shield	Braid
4	Green	綠	Twist
2	White/Grene	白/綠	Twist
3	Orange	橘	Twist
1	White/Orange	白/橘	



Pin Assignments Front View

UNIT:mm	± 0.5 mm	TITLE	N SEN, M12 D -SHLD, SCREW CABLE W/O SR, M, M, MOLDING		
SCALE	3:2	SIZE	A4	SHEET	1 OF 1
REV.	E	WC-REV.	A.5	\odot	Inspection item

Amphenol LTW
安費諾亮泰企業股份有限公司

ITEM NO	MSDS-XXBMMM-SR8EXX	DRAWN BY	Eric	DATE	2020/09/10
DWG NO	MSDS-XXBMMM-SR8EXX	CHECKED BY	Brady	DATE	2020/09/10
CUSTOMER	ALTW	APPROVED BY	Neo	DATE	2020/09/10