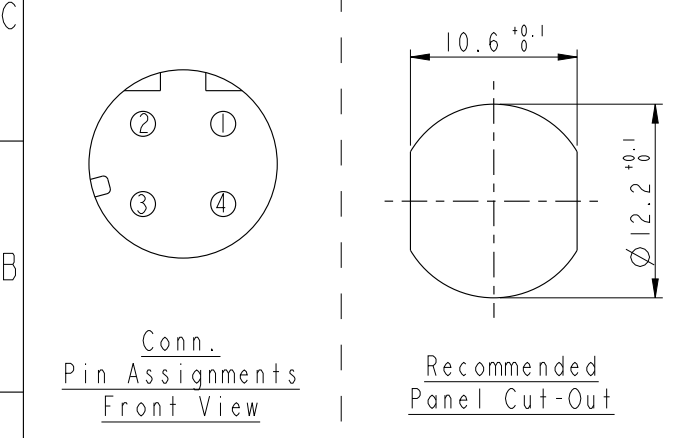
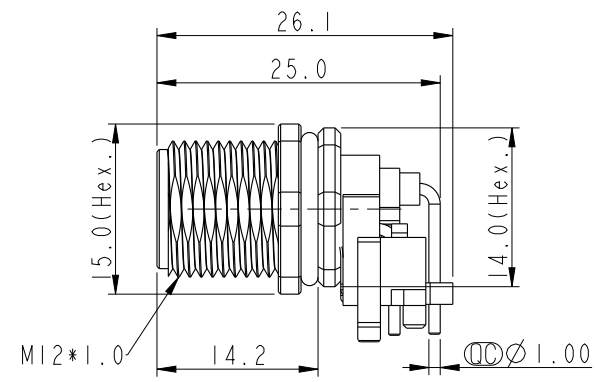
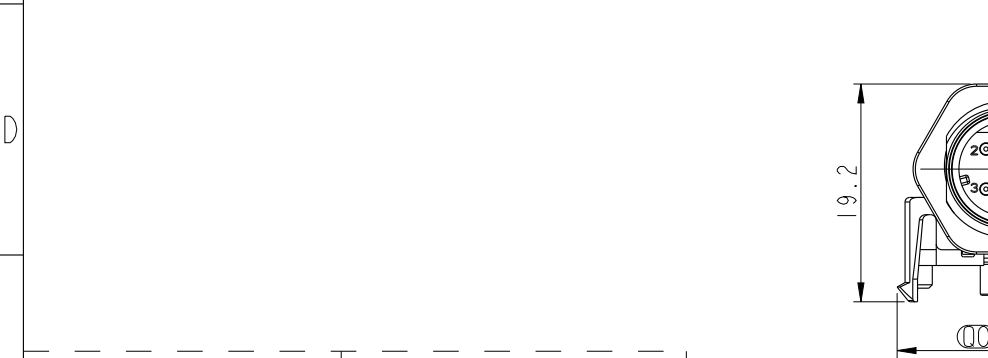
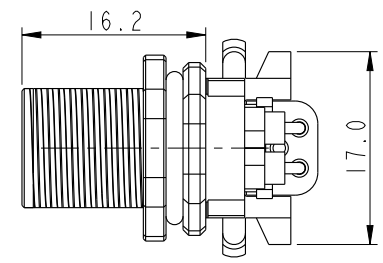
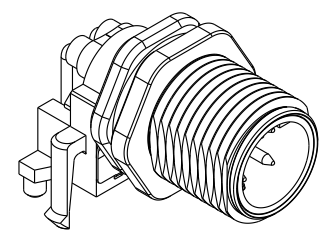
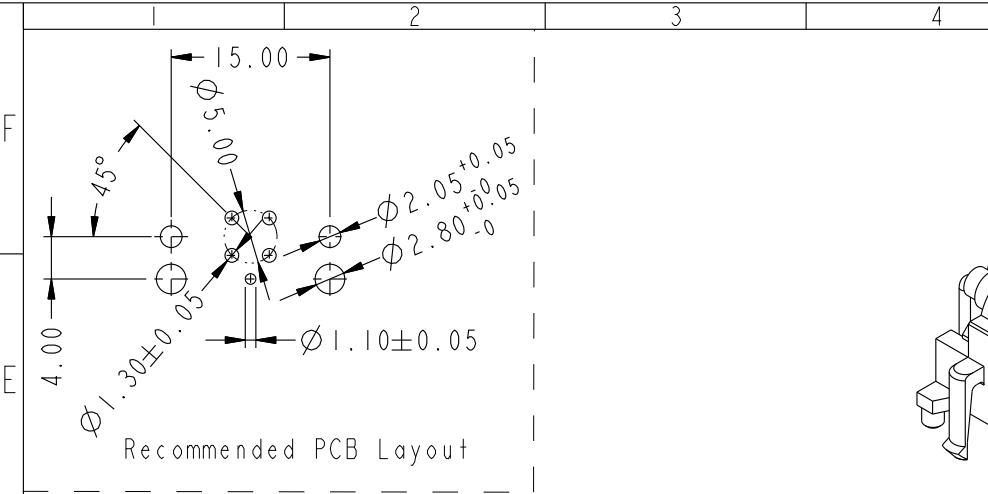
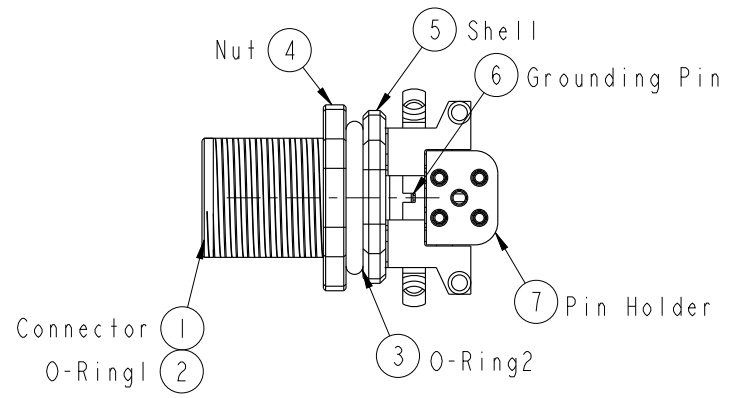


THIS DOCUMENT IS SUBJECT TO CHANGE WITHOUT NOTICE. IT IS CONFIDENTIAL AND A PROPERTY OF Amphenol LTW. DISCLOSURE TO THIRD PARTY HAS TO BE AUTHORIZED BY Amphenol LTW.

REV.	ECN NO.	DATE	SIGN	DESCRIPTION
B	C200275	2020-03-13	Nan_Su	△B*1



- Note:
- * \varnothing Important Dimension To Check
 - * Waterproof Rate: IP67 (Mated Waterproof)
 - * Connector: PBT+PC, Black
 - * Male Pin: Copper Alloy, Gold Plated
 - * Shell: Zinc Alloy, Nickel Plated
 - * Nut: Zinc Alloy, Nickel Plated
 - * Grounding Pin: Copper Alloy, Tin Plated
 - * O-Ring1: Silicone, Black
 - * O-Ring2: Silicone, Gray
 - * Pin Holder: PBT+PC, Black
 - * For Panel Thickness Max. 3.0mm
 - * For PCB Thickness Max. 1.6mm



UNIT:mm		TITLE		ITEM NO		DRAWN BY		DATE	
		M12, 90° Panel, w/o Grounding Pin 4Pin M Conn M Pin		MSDS-04PMMR-SF7003		Yulong_wang		2016-12-11	
TOLERANCE		SCALE	SIZE	SHEET	DWG NO	CHECKED BY	DATE		
.X ±0.25		3:2	A4	1 OF 1	MSDS-04PMMR-SF7003	Jinhai	2016-12-11		
.XX ±0.1		REV.	WC-REV.		CUSTOMER	APPROVED BY	DATE		
.XXX ±0.05		B	A.3		ALTW	Jerry	2016-12-11		
ANGLES ±1°		Inspection item		Amphenol LTW 安費諾亮泰企業股份有限公司					