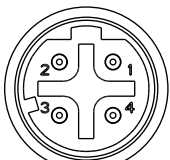
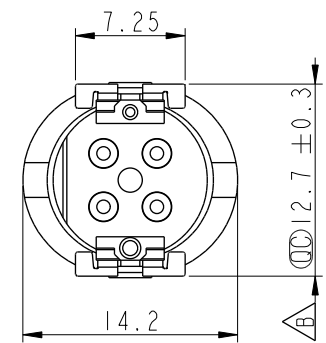
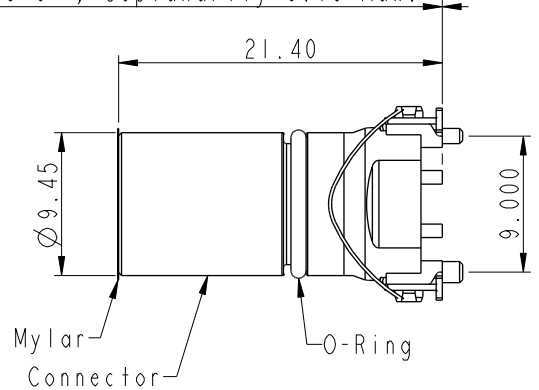


REV.	ECN NO.	DATE	SIGN	DESCRIPTION
A		2020/07/14	Allen Pan	Rev.01 To Rev.A
B	C210309	2021/03/12	Ruru	△ X5
C	C240342	2024/04/12	Vicky	△ XI

△ MSDS-XXPMMT-EE0001

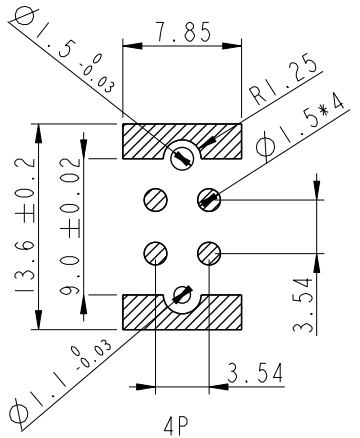
XX: No. Of Pin

△ (CC) 0.00 ^{+0.10}/₀, Coplanarity 0.10 Max.



4P

Pin Assignment Front View



4P

PCB Layout

- △ Note:
- * RoHS Compliant
 - * (CC) Important dimension
 - * Waterproof rate: Non-Waterproof
 - * Connector Housing: Thermoplastic, Black
 - * Pin: Copper Alloy, Gold Plated
 - * O-Ring: Rubber, Gray
 - * Mylar: PI, Amber

UNIT: mm		
TOLERANCE	.X ±0.25	
.XX	±0.1	
.XXX	±0.05	
ANGLES	±1°	

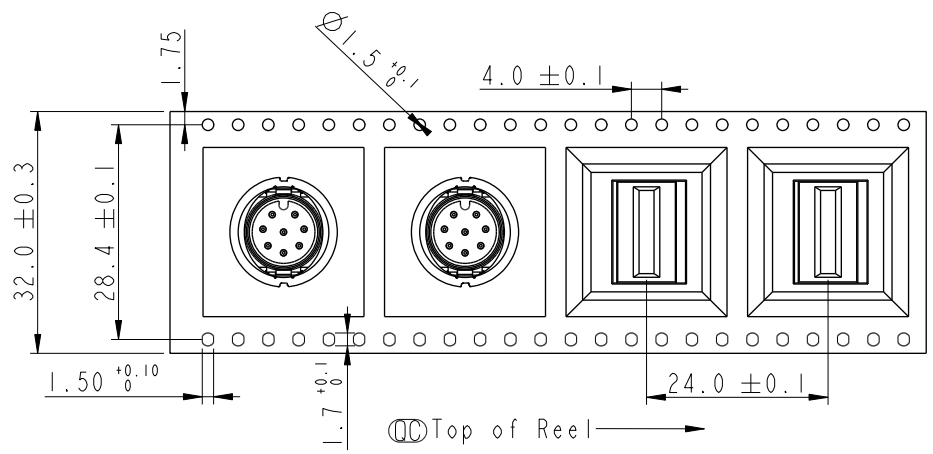
TITLE N SEN, M12 D -SHLD, NONE RECEPTACLE, M, M, PCB SMT △			
SCALE 2:1	SIZE A4	SHEET 1 OF 3	
REV. C	WC-REV. A.1	(CC): Inspection item	

Amphenol LTW
安費諾亮泰企業股份有限公司

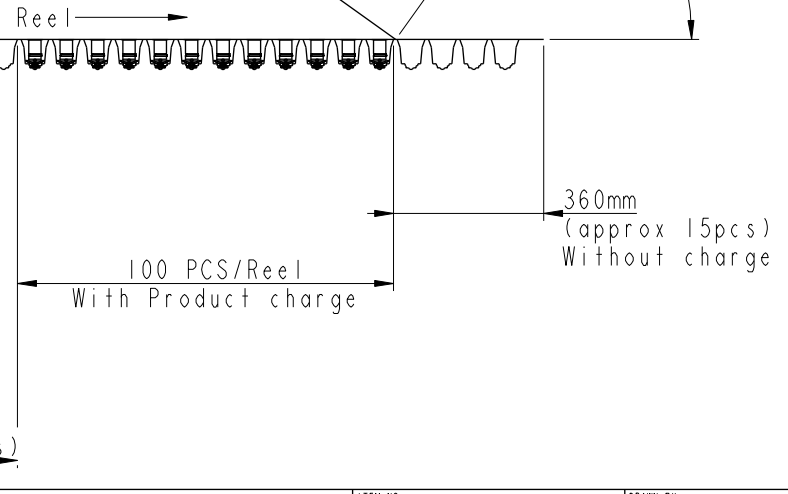
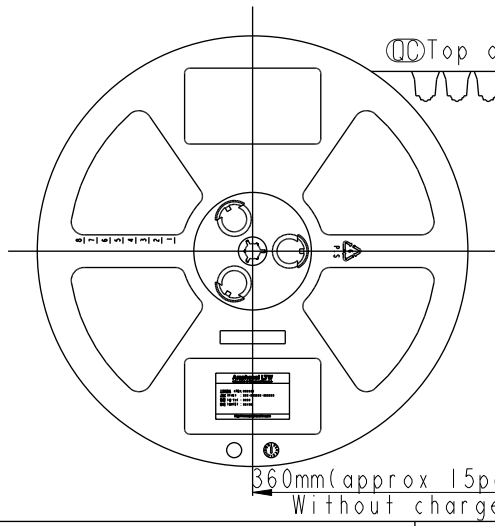
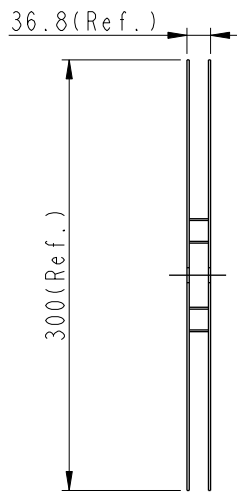
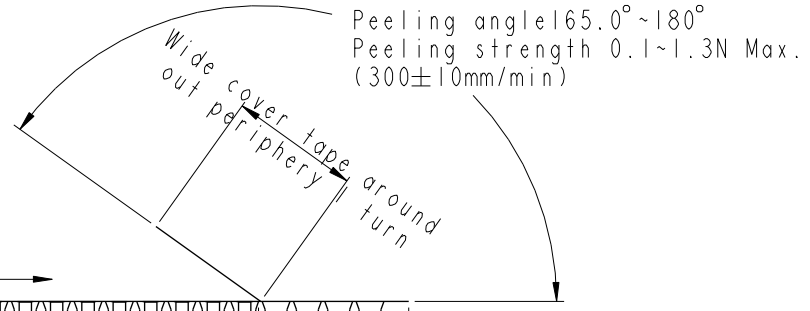
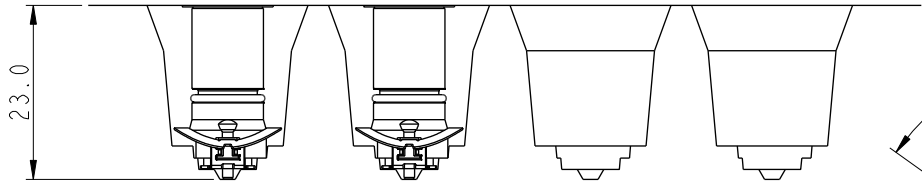
ITEM NO	DRAWN BY Vicky	DATE 2024-04-12
DWG NO MSDS-XXPMMT-EE0001	CHECKED BY Arvin	DATE 2024-04-12
CUSTOMER ALTW	APPROVED BY Fred	DATE 2024-04-12

THIS DOCUMENT IS SUBJECT TO CHANGE WITHOUT NOTICE. IT IS CONFIDENTIAL AND A PROPERTY OF Amphenol LTW. DISCLOSURE TO THIRD PARTY HAS TO BE AUTHORIZED BY Amphenol LTW.

THIS DOCUMENT IS SUBJECT TO CHANGE WITHOUT NOTICE. IT IS CONFIDENTIAL AND A PROPERTY OF AMPHENOL LTW. DISCLOSURE TO THIRD PARTY HAS TO BE AUTHORIZED BY AMPHENOL LTW.



Note :
 Ⓞ* Connector Orientat follow Drawing



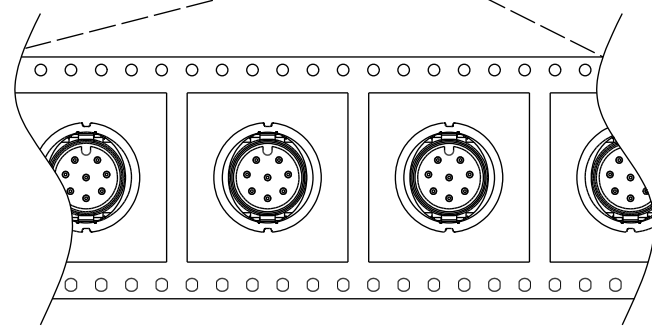
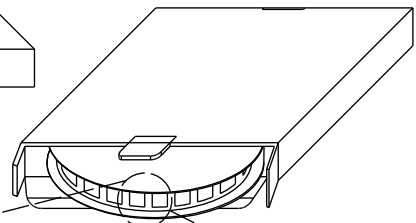
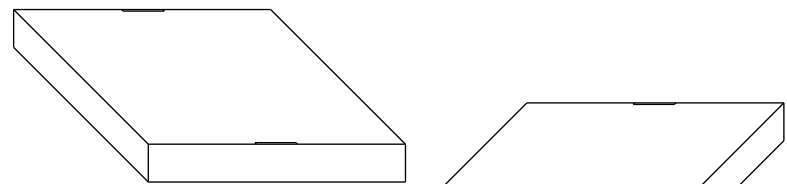
UNIT: mm		
TOLERANCE	.X ±0.25	
	.XX ±0.1	
	.XXX ±0.05	
ANGLES	±1°	

TITLE N SEN, M12 D -SHLD, NONE RECEPTACLE, M, M, PCB SMT			
SCALE FREE	SIZE A4	SHEET 2 OF 3	
REV. C	WC-REV. A.1	Ⓞ: Inspection item	

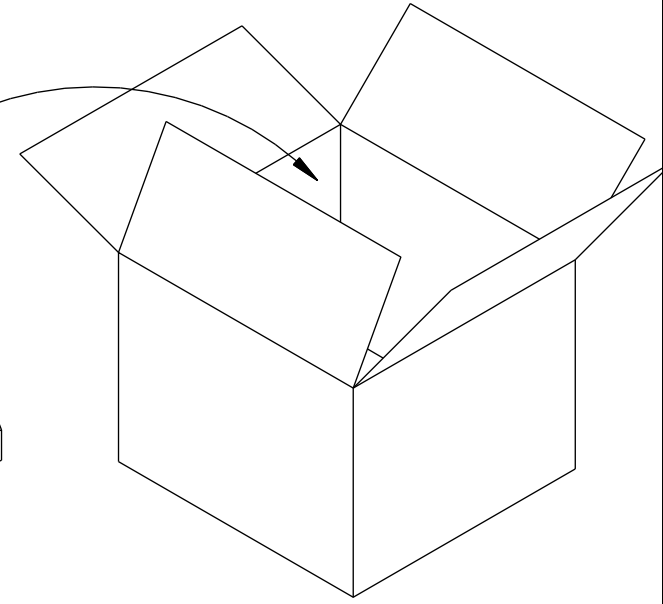
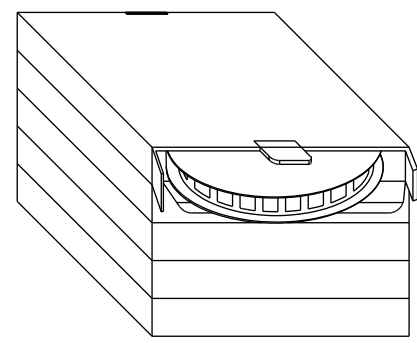
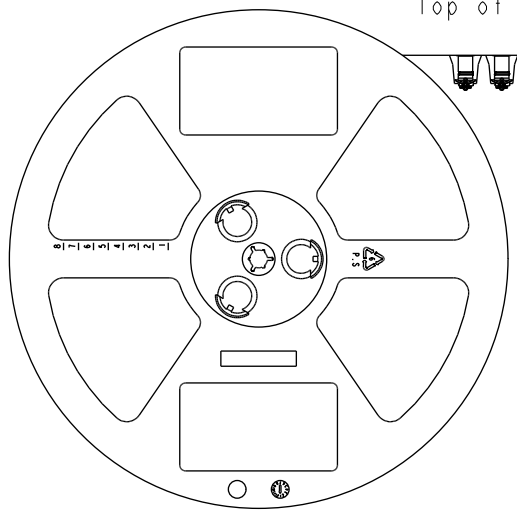
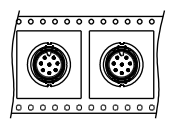
Amphenol LTW
 安費諾亮泰企業股份有限公司

ITEM NO	DRAWN BY Vicky	DATE 2024-04-12
DWG NO MSDS-XXPMMT-EE0001	CHECKED BY Arvin	DATE 2024-04-12
CUSTOMER ALTW	APPROVED BY Fred	DATE 2024-04-12

THIS DOCUMENT IS SUBJECT TO CHANGE WITHOUT NOTICE. IT IS CONFIDENTIAL AND A PROPERTY OF Amphenol LTW. DISCLOSURE TO THIRD PARTY HAS TO BE AUTHORIZED BY Amphenol LTW.



Top of Reel →



Note:
 100 PCS(Connector)/Tape&Reel Put in a Box
 5PCS(Max.) Box Put in a Carton

UNIT: mm		
TOLERANCE	.X	±0.25
	.XX	±0.1
	.XXX	±0.05
ANGLES		±1°

TITLE N SEN, M12 D -SHLD, NONE RECEPTACLE, M, M, PCB SMT			
SCALE	FREE	SIZE	A4
SHEET	3	OF	3
REV.	C	WC-REV.	A.1 : Inspection item

Amphenol LTW
 安費諾亮泰企業股份有限公司

ITEM NO	
DWG NO	MSDS-XXPMMT-EE0001
CUSTOMER	ALTW

DRAWN BY	Vicky
CHECKED BY	Arvin
APPROVED BY	Fred

DATE	2024-04-12
DATE	2024-04-12
DATE	2024-04-12