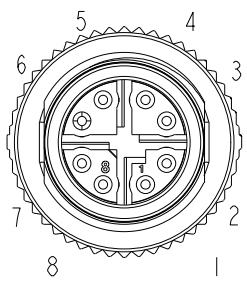
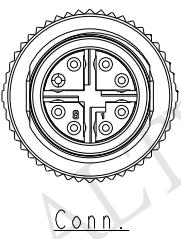
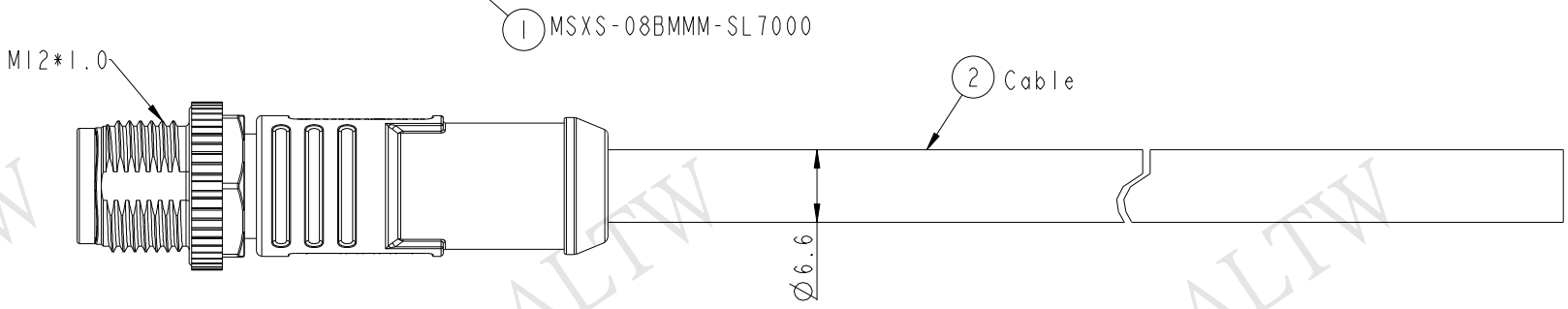
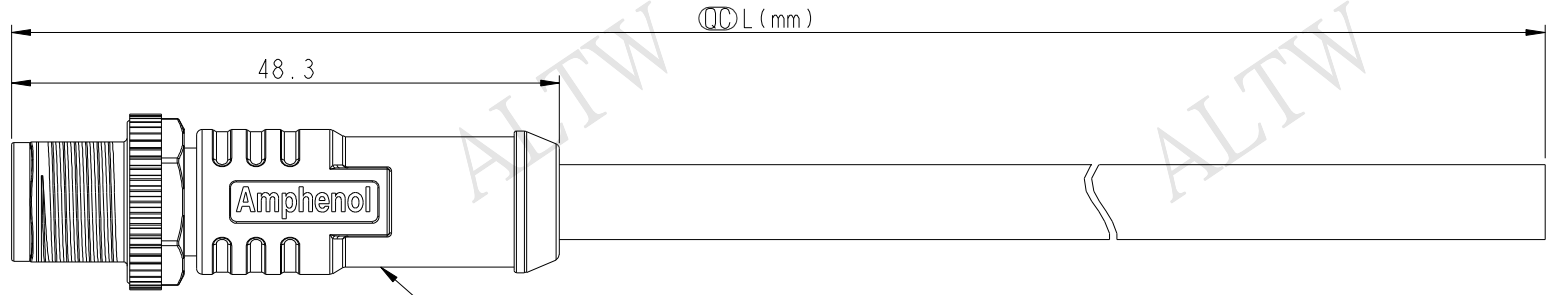
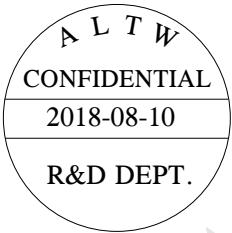


| REV. | ECN NO. | DATE | SIGN | DESCRIPTION |
|------|-----------------|------------|-------------|------------------------|
| A | Initial Release | 2016-12-21 | Spring Liu | Change Rev.01 To Rev.A |
| B | CI80009 | 2018-08-10 | Fisher Wang | update drawing |



| Braid | Shield | |
|-------|----------------|---------|
| 8 | Blue | 藍 |
| 7 | White / Blue | 白/藍 |
| 6 | Brown | 棕 |
| 5 | White / Brown | 白/棕 |
| 4 | Green | 綠 |
| 3 | White / Green | 白/綠 |
| 2 | Orange | 橙 |
| 1 | White / Orange | 白/橙 |
| Conn. | Wire Color | Pin Out |

MSXS-08BMMM-SL7XXX
 ↑
 XX :01~99Meters
 01 :01Meter
 02 :02Meters
 ...
 99 :99Meters
 Cable Length(L):01~99Meters

- Note:
- * \varnothing Important Dimensions To Check.
 - * Waterproof Rate: IP67
 - * Connector: Nylon+GF, Black
 - * Male Pin: Copper Alloy, Gold Plated
 - * Screw Nut: Zinc Alloy, Nickel Plated
 - * Shield: Copper Alloy
 - * Outer Mold: PU, Black
 - * Cable: Cat6A, 26AWG*4P+B, LSZH, UV resistant
OD 6.6mm, Green Jacket.
 - * Rated Voltage: 50 V AC, 60 V DC
 - * Rated Current: 0.5A
 - * Cable length Tolerance: 01M: ±40mm
02M~05M±60mm
06M~10M±100mm
11M~30M±200mm
31M~99M±500mm

| | | | | | | | |
|--|--|---|--------------|-------------------------------|-------------------------|-------------------------|------------------------------|
| UNIT:mm | | TITLE M12 X-code 8Pin Male Shielded Cable Connector | | Amphenol LTW 安費諾亮泰企業股份有限公司 | ITEM NO | DRAWN BY Fisher Wang | DATE 2018-08-10 |
| | | TOLERANCE .X ±0.25 .XX ±0.1 .XXX ±0.05 ANGLES ±1° | SCALE 3:2 | | SIZE A4 | SHEET 1 OF 1 | DWG NO MSXS-08BMMM-SL7XXX |
| REV. B WC-REV. A.4 \varnothing : Inspection item | | | | CUSTOMER ALTW | APPROVED BY Kevin Hu | DATE 2018-08-10 | |

THIS DOCUMENT IS SUBJECT TO CHANGE WITHOUT NOTICE. IT IS CONFIDENTIAL AND A PROPERTY OF Amphenol LTW. DISCLOSURE TO THIRD PARTY HAS TO BE AUTHORIZED BY Amphenol LTW.