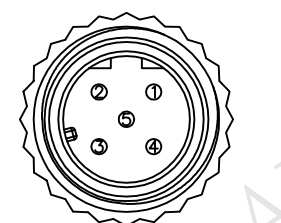
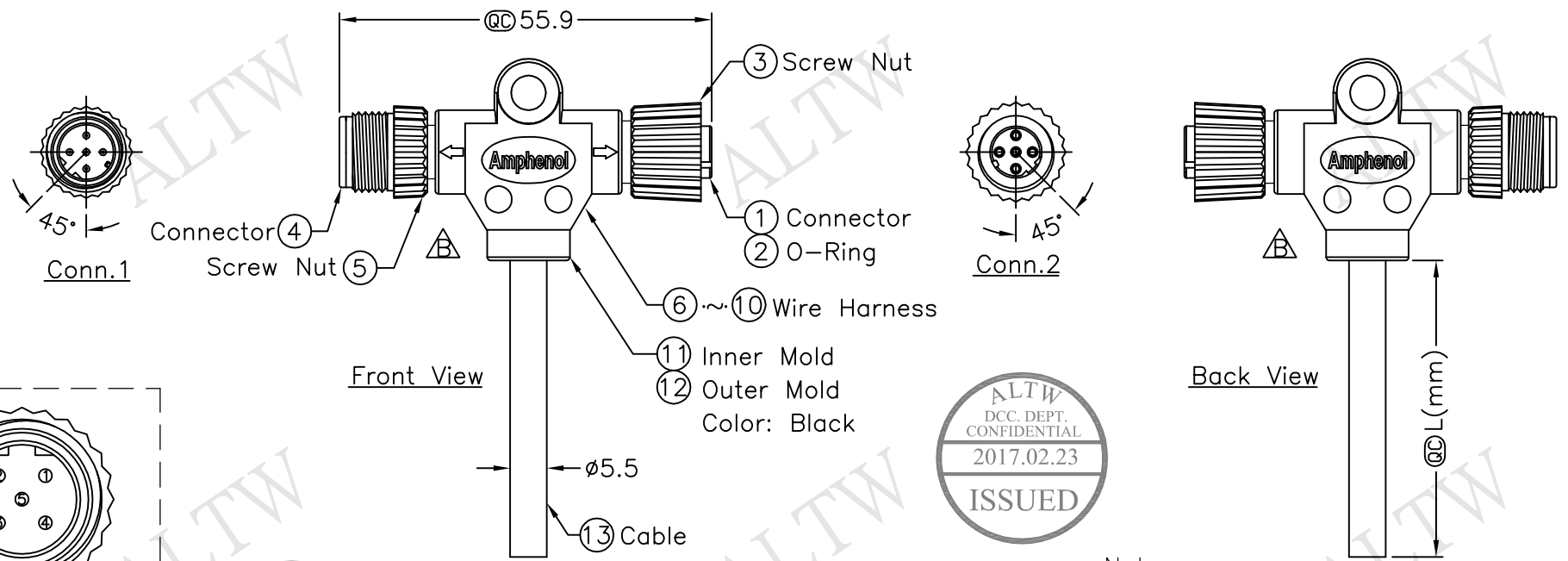
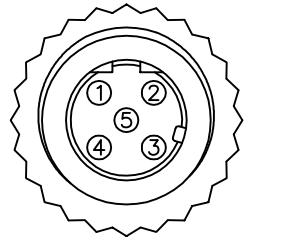


REV.	ECN NO.	DATE	SIGN	DESCRIPTION
B	LEN1720122~125	2017/02/09	Ruru	Change Logo & Outer Mold Design & Note

△



Conn.1
Pin Assignments
Front View

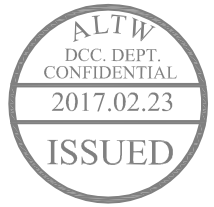


Conn.2
Pin Assignments
Front View



5	Green	綠	5
4	Black	黑	4
3	Blue	藍	3
2	White	白	2
1	Brown	棕	1
Conn.1	Wire Color		Conn.2
Pin Out			

PD-050500-MF0-TSAXX
 XX:01~99Meter
 01:01Meter
 02:02Meters
 :
 :
 99:99Meters
 Cable Length(L):01~99Meters



- Note:
- * Ⓞ Important Dimension.
 - * Waterproof Rate: IP68
 - * Housing: Black, Polyurethane
 - * Screw Nut: Black, Nylon+GF
 - * Male Pin: Copper Alloy, Gold Plated
 - * Female Pin: Copper Alloy, Gold Plated
 - * Wire Harness: UL1007 24AWG
 - * Cable: Black, UL2464 22AWG*5C+Talc PVC Jacket UV Resistant OD=5.5mm
 - * Cable Length Tolerance: 01M: ±40mm
 02M~05M: ±60mm
 06M~10M: ±100mm
 11M~30M: ±200mm
 31M~99M: ±500mm

UNIT:mm	
TOLERANCE	±0.5 mm

TITLE M12 Conn T Cable Screw FM Conn FM Pin	
SCALE Free	SHEET 1 OF 1
REV. B	SIZE A4
Ⓞ :Inspection Item	

Amphenol LTW
 安費諾亮泰企業股份有限公司

ITEM NO	DRAWN BY Ruru	DATE 2017/02/09
DWG NO PD-050500-MF0-TSAXX	CHECKED BY Rita	DATE 2017/02/09
CUSTOMER ALTW	APPROVED BY Max	DATE 2017/02/09

THIS DOCUMENT IS SUBJECT TO CHANGE WITHOUT NOTICE. IT IS CONFIDENTIAL AND A PROPERTY OF Amphenol LTW. DISCLOSE TO THIRD PARTY HAS TO BE AUTHORIZED BY Amphenol LTW.

1 2 3 4 5 6 7 8