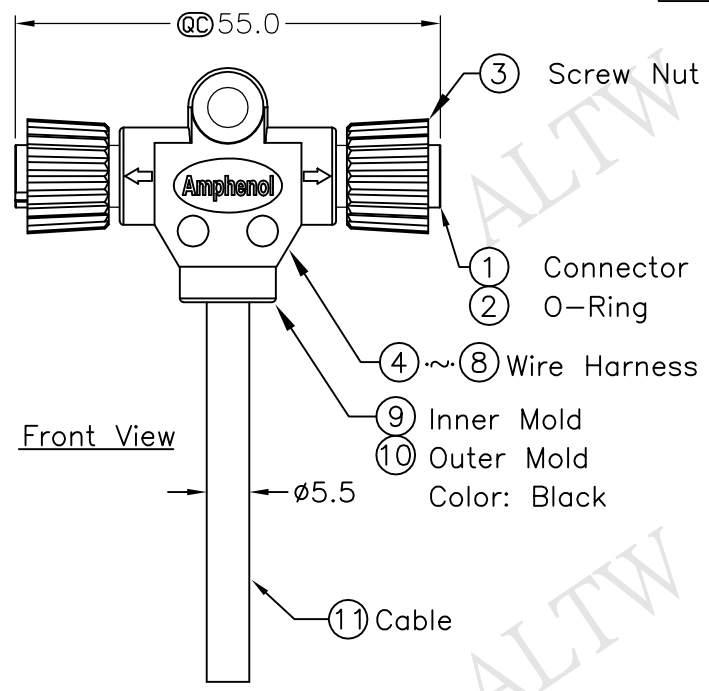


| | | | | |
|------|----------------|------------|------|--|
| REV. | ECN NO. | DATE | SIGN | DESCRIPTION |
| B | LEN1720154~157 | 2017/02/10 | Ruru | Change Logo & Outer Mold Design & Note |

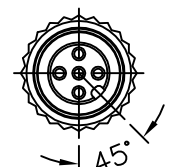
THIS DOCUMENT IS SUBJECT TO CHANGE WITHOUT NOTICE. IT IS CONFIDENTIAL AND A PROPERTY OF Amphenol LTW. DISCLOSURE TO THIRD PARTY HAS TO BE AUTHORIZED BY Amphenol LTW.



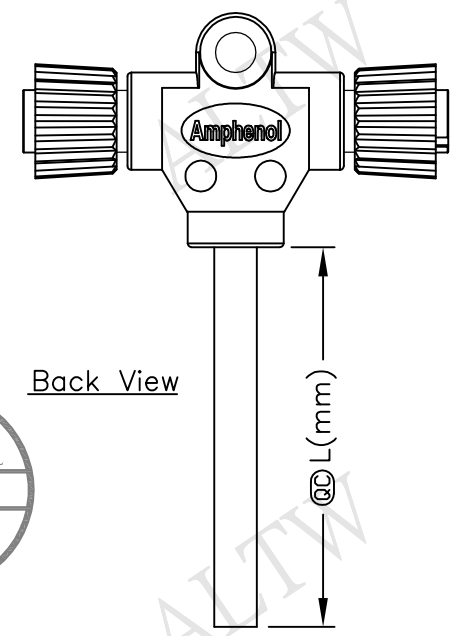
Conn.1



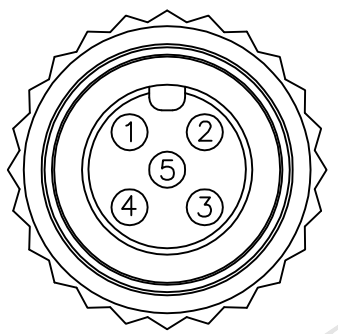
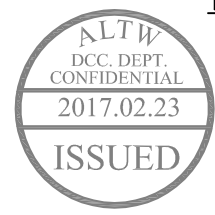
Front View



Conn.2



Back View



Conn.1&2
Pin Assignments
Front View

| | | | |
|--------|------------|---------|--------|
| 5 | Green | 綠 | 5 |
| 4 | Black | 黑 | 4 |
| 3 | Blue | 藍 | 3 |
| 2 | White | 白 | 2 |
| 1 | Brown | 棕 | 1 |
| Conn.1 | Wire Color | | Conn.2 |
| | | Pin Out | |

PS-050500-FF0-TSAXX

↑
XX:01~99Meter
01:01Meter
02:02Meters
:
:
99:99Meters

Cable Length(L):01~99Meters

Note:

- * Ⓞ Important Dimension.
- * Waterproof Rate: IP68
- * Housing: Black, PU
- * Male Pin: Copper Alloy, Gold Plated
- * Wire Harness: UL1007, 24AWG, 5Pcs.
- * Cable: Black, UL2464 22AWG*5C+Talc PVC Jacket (UV Resistant), OD=5.5mm
- * Cable Length Tolerance: 01M: ±40mm
02M~05M: ±60mm
06M~10M: ±100mm
11M~30M: ±200mm
31M~99M: ±500mm

| | |
|-----------|---------|
| UNIT:mm | |
| TOLERANCE | ±0.5 mm |

| | |
|---|-----------------|
| TITLE M12 Conn T Cable Screw FF Conn FF Pin | |
| SCALE Free | SHEET 1 OF 1 |
| REV. B | SIZE A4 |
| Ⓞ :Inspection Item | |

Amphenol LTW
安費諾亮泰企業股份有限公司

| | |
|------------------|-------------------------------|
| ITEM NO | DWG NO PS-050500-FF0-TSAXX |
| CUSTOMER ALTW | |

| | |
|--------------------|--------------------|
| DRAWN BY Ruru | DATE 2017/02/10 |
| CHECKED BY Rita | DATE 2017/02/10 |
| APPROVED BY Max | DATE 2017/02/10 |