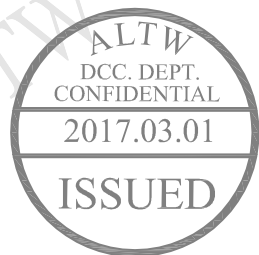
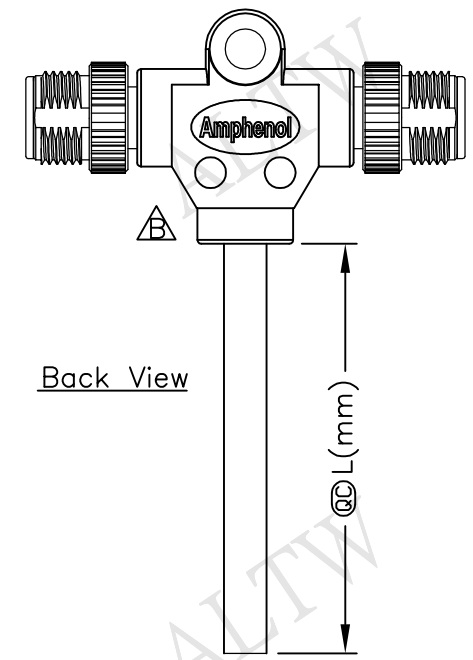
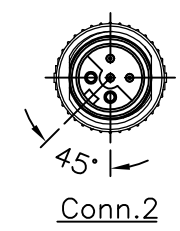
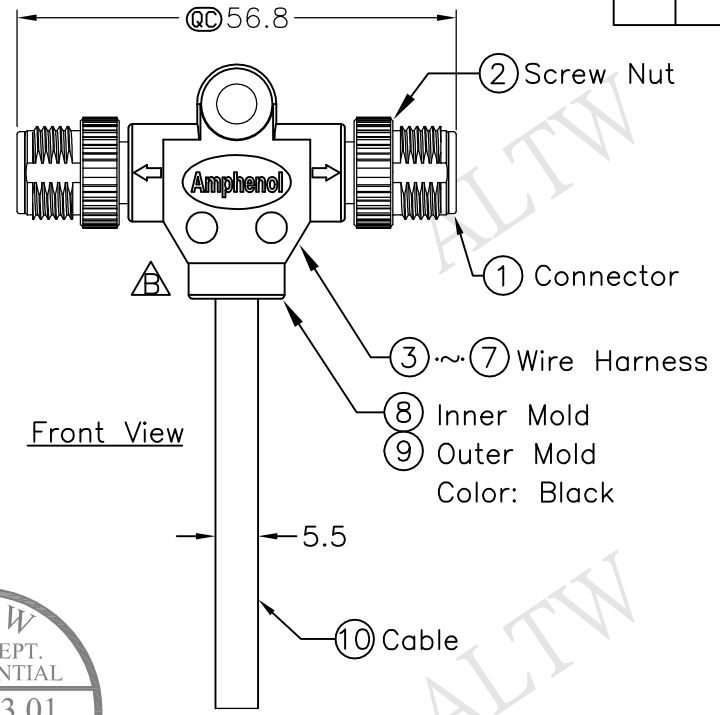


REV.	ECN NO.	DATE	SIGN	DESCRIPTION
B	LEN1720281~284	2017/02/14	Ruru	Change Logo & Outer Mold Design & Note

THIS DOCUMENT IS SUBJECT TO CHANGE WITHOUT NOTICE. IT IS CONFIDENTIAL AND A PROPERTY OF Amphenol LTW. DISCLOSURE TO THIRD PARTY HAS TO BE AUTHORIZED BY Amphenol LTW.



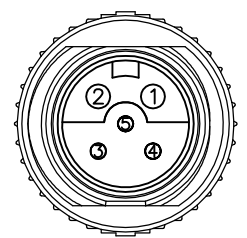
SI-050500-KK0-TSAXX

XX:01~99Meter
 01:01Meter
 02:02Meters
 :
 :
 99:99Meters

Cable Length(L):01~99Meters

Note:

- * QC Important Dimension.
- * Waterproof Rate: IP67
- * Housing: Black, Polyurethane
- * Screw Nut: Zinc Alloy, Nickel Plated
- * Male Pin: Copper Alloy, Gold Plated
- * Wire Harness: UL1007 24AWG, (5Pcs.)
- * Cable: Black, UL2464 22AWG*5C+Talc PVC Jacket UV Resistant OD=5.5mm
- * Cable Length Tolerance: 01M: ±40mm
 02M~05M: ±60mm
 06M~10M: ±100mm
 11M~30M: ±200mm
 31M~99M: ±500mm



5	Green	綠	5
4	Black	黑	4
3	Blue	藍	3
2	White	白	2
1	Brown	棕	1
Conn.1	Wire Color		Conn.2

Pin Out

UNIT:mm	
TOLERANCE	±0.5 mm

TITLE M12 Conn T Cable Screw MM Conn C Pin	
SCALE Free	SHEET 1 OF 1
REV. B	SIZE A4
QC :Inspection Item	

Amphenol LTW
 安費諾亮泰企業股份有限公司

ITEM NO	
DWG NO	SI-050500-KK0-TSAXX
CUSTOMER	ALTW

DRAWN BY	Ruru
CHECKED BY	Rita
APPROVED BY	Max

DATE	2017/02/14
DATE	2017/02/14
DATE	2017/02/14