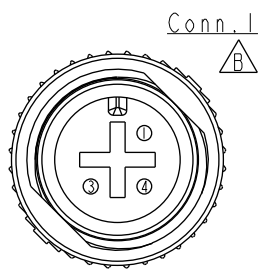
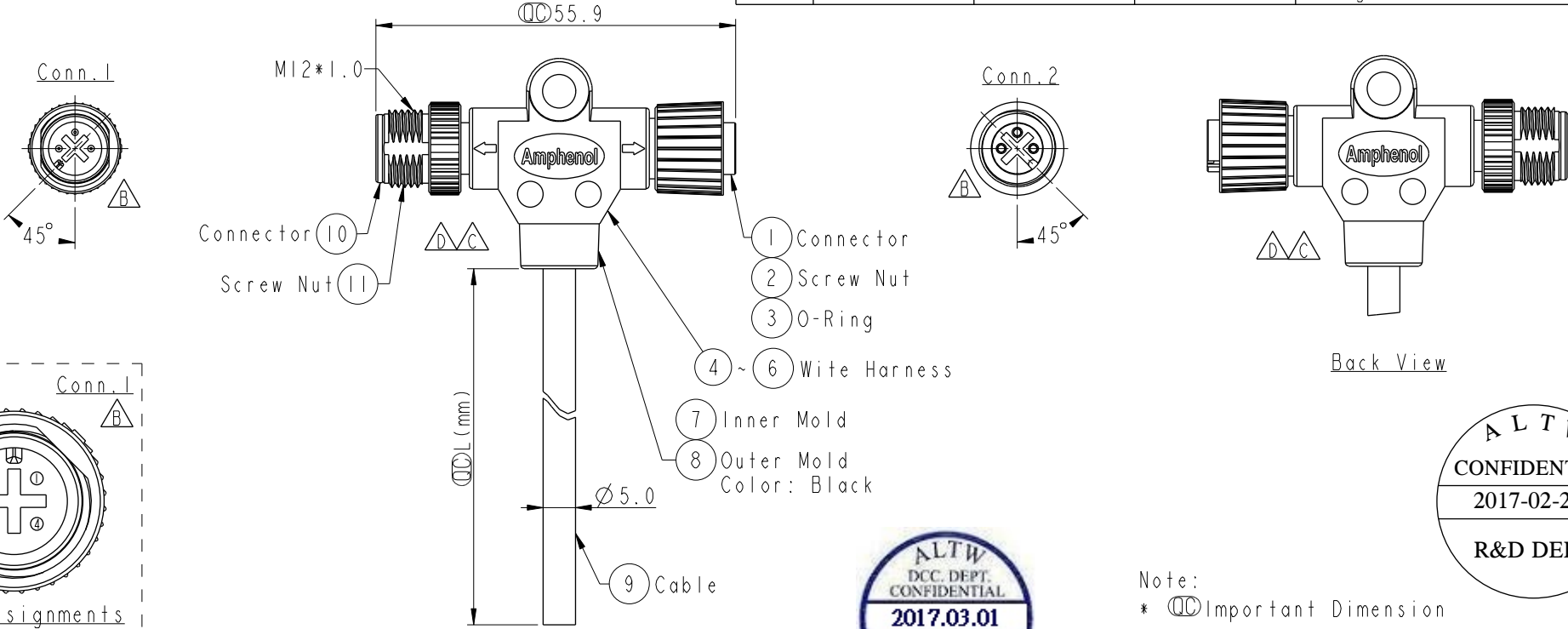
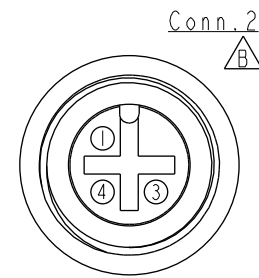


THIS DOCUMENT IS SUBJECT TO CHANGE WITHOUT NOTICE. IT IS CONFIDENTIAL AND A PROPERTY OF Amphenol LTW. DISCLOSURE TO THIRD PARTY HAS TO BE AUTHORIZED BY Amphenol LTW.

REV.	ECN NO.	DATE	SIGN	DESCRIPTION
B	LEN-880362~365	2008/03/08	Li Chi Cheng	Add Cross.
C	LEN1520124~127	2015/01/29	Sam	Update Logo & View & Note
D	LEN1720297~300	2017/02/14	Ruru	Change Outer Mold Design



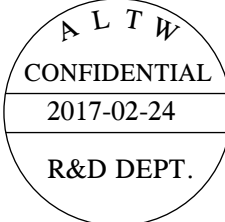
Pin Assignments Front View



Pin Assignments Front View

Wire Color	Wire Color	Wire Color
4	Black 黑	4
3	Blue 藍	3
1	Brown 棕	1
Conn.1	Wire Color	Conn.2

Pin Out



Note:

- * \varnothing Important Dimension
- * Waterproof Rate: IP68
IP68: 1M Depth Of Water In 24hours
- * Housing: PU, Black
- * Pin: Copper Alloy, Gold Plated
- * Wire Harness: UL1007 24AWG, 3Pcs
- * Cable: UL2464 22AWG*3C+Talc, Black, PVC Jacket, UV Resistant, OD=5.0mm
- * Cable Length Tolerance: 01M:±40mm
02M~05M:±60mm
06M~10M:±100mm
11M~30M:±200mm
31M~99M:±500mm

UNIT:mm		TITLE
TOLERANCE	± 0.5 mm	MI2P Conn T Cable Screw MF Conn MF Pin
SCALE	1:1	SIZE A4
REV.	D	SHEET 1 OF 1
WC-REV.	A.1	\varnothing : Inspection item

Amphenol LTW
安費諾亮泰企業股份有限公司

ITEM NO	SS-030300-MF0-TSAXX	DRAWN BY	Ruru	DATE	2017-02-14
DWG NO	SS-030300-MF0-TSAXX	CHECKED BY	Rita	DATE	2017-02-14
CUSTOMER	ALTW	APPROVED BY	Max	DATE	2017-02-14