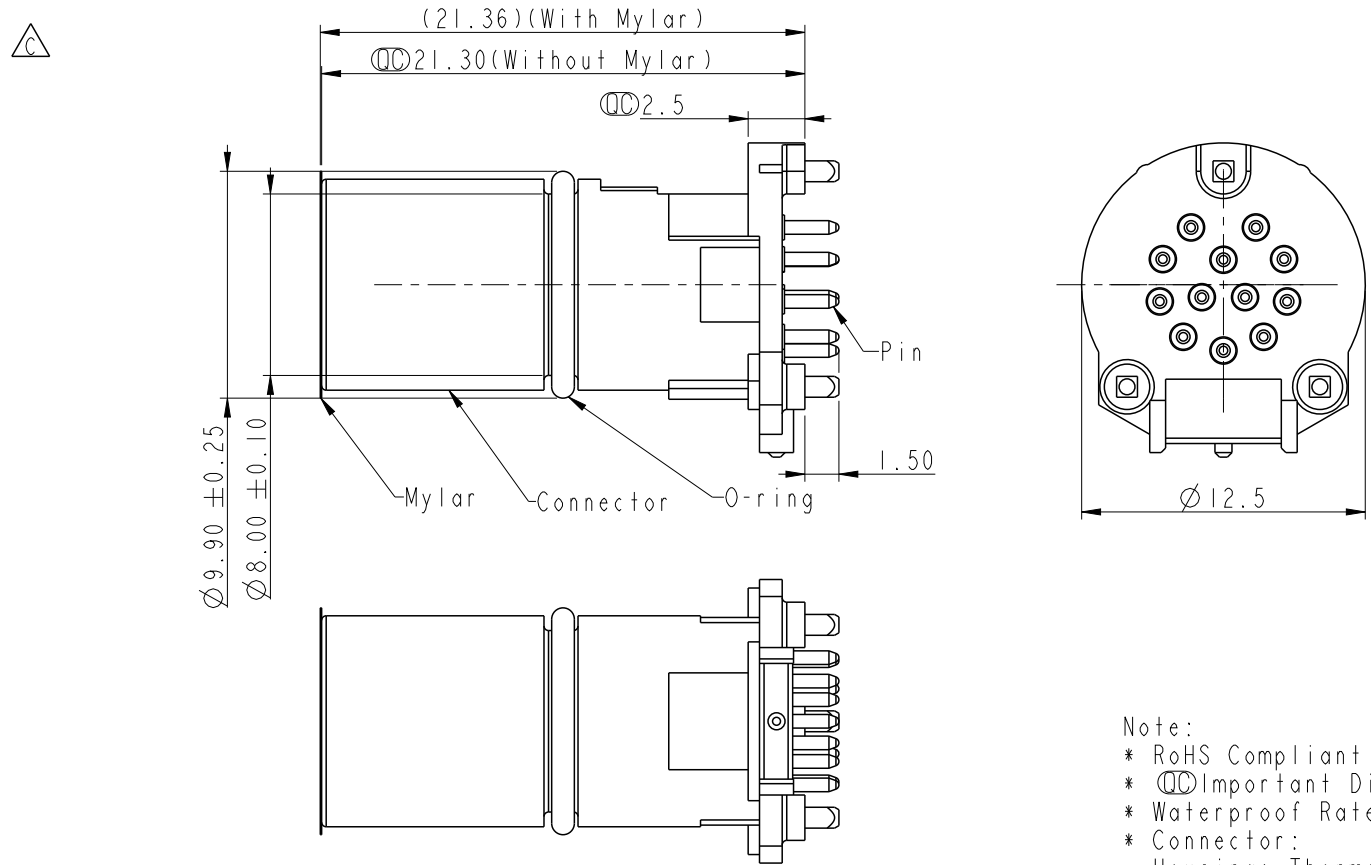


THIS DOCUMENT IS SUBJECT TO CHANGE WITHOUT NOTICE. IT IS CONFIDENTIAL AND A PROPERTY OF Amphenol LTW. DISCLOSURE TO THIRD PARTY HAS TO BE AUTHORIZED BY Amphenol LTW.

| REV. | ECN NO. | DATE | SIGN | DESCRIPTION |
|------|---------|------------|---------|-----------------|
| A | | 2022/03/03 | Roy Lin | Rev.03 to Rev.A |
| B | C220597 | 2022/04/13 | Roy Lin | △x4 |
| C | C240584 | 2024/05/22 | Yunchen | △x2 |

△
M12A-XXPMMP-EE0001
XX: No. Of Pin

This Connector design is for pin:4-12Pin



Note:
 * RoHS Compliant
 * (21.30) Important Dimension
 * Waterproof Rate: Non-Waterproof
 * Connector:
 Housing: Thermoplastic, Black
 Pin: Copper Alloy, Gold Plated.
 * O-ring: Rubber, Gray
 * Recommend pcb thickness: 1.0 mm

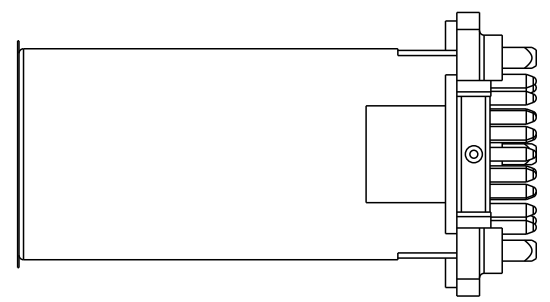
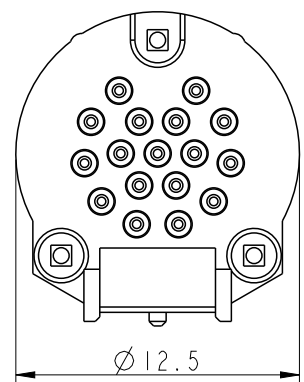
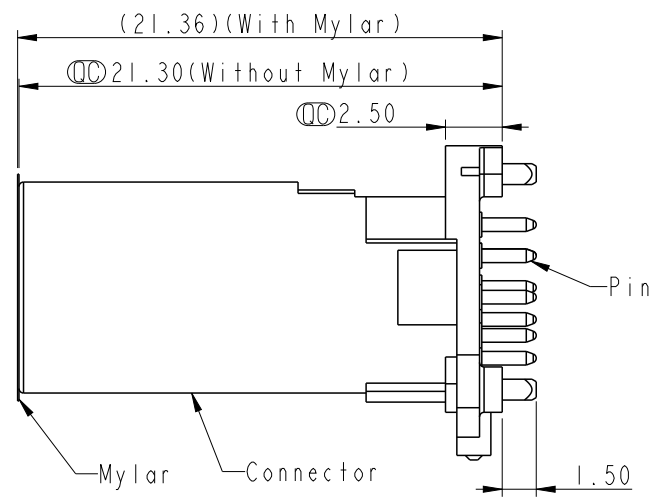
| | | | | |
|---|--|--|--|--------------------|
| UNIT: mm | | | TITLE N SEN, M12 A, NONE RECEPTACLE, M, M, PCB S | △ |
| TOLERANCE .X ±0.25 .XX ±0.1 .XXX ±0.05 ANGLES ±1° | | | SCALE 1:1 SIZE A4 SHEET 1 OF 5 | |
| | | | REV. C WC-REV. .0 | Ⓞ: Inspection item |

Amphenol LTW
 安費諾亮泰企業股份有限公司

| | | |
|------------------------------|---------------------|--------------------|
| ITEM NO | DRAWN BY Yunchen | DATE 2024/05/22 |
| DWG NO M12A-XXPMMP-EE0001 | CHECKED BY Aric | DATE 2024/05/22 |
| CUSTOMER ALTW | APPROVED BY Fred | DATE 2024/05/22 |

THIS DOCUMENT IS SUBJECT TO CHANGE WITHOUT NOTICE. IT IS CONFIDENTIAL AND A PROPERTY OF AMPHENOL LTW. DISCLOSURE TO THIRD PARTY HAS TO BE AUTHORIZED BY AMPHENOL LTW.

This Connector design is for pin:17Pin



Note:

- * RoHS Compliant
- * \varnothing Important Dimension
- * Waterproof Rate: Non-Waterproof
- * Connector:
Housing: Thermoplastic, Black
Pin: Copper Alloy, Gold Plated.
- * Recommend pcb thickness: 1.0 mm

A

| | |
|-----------|-------|
| UNIT: mm | |
| TOLERANCE | |
| .X | ±0.25 |
| .XX | ±0.1 |
| .XXX | ±0.05 |
| ANGLES | ±1° |

| | | | |
|--|---------------|---------------------------------|--|
| TITLE N SEN, M12 A, NONE RECEPTACLE, M, M, PCB S | | | |
| SCALE 1:1 | SIZE A4 | SHEET 2 OF 5 | |
| REV. C | WC-REV. .0 | \varnothing : Inspection item | |

Amphenol LTW
安費諾亮泰企業股份有限公司

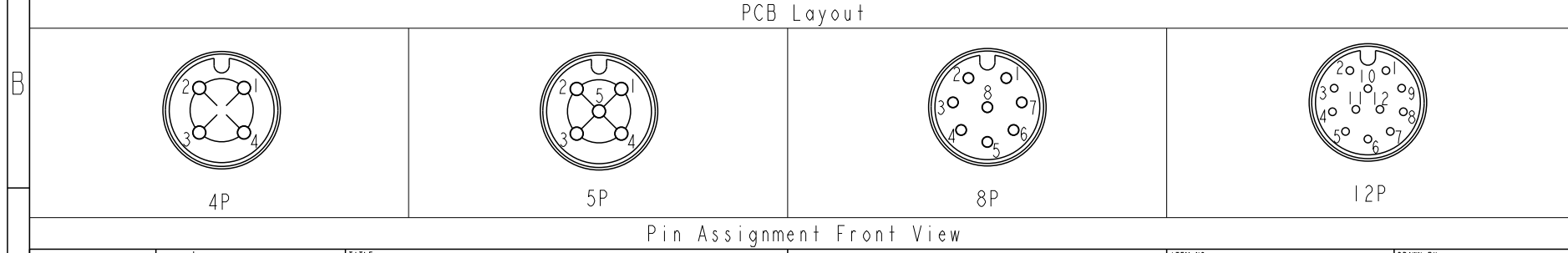
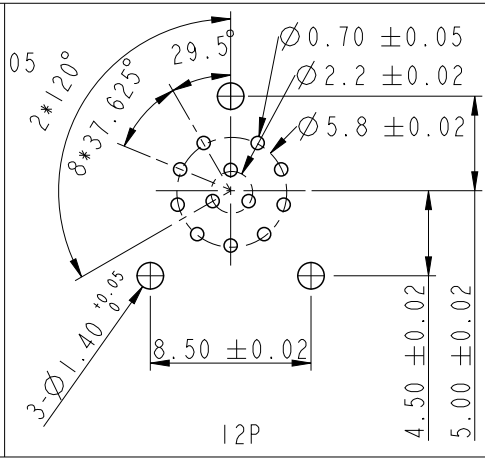
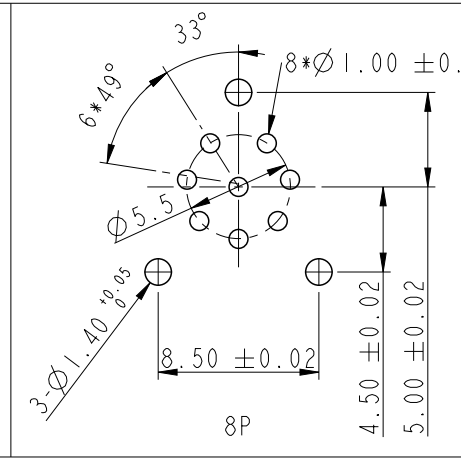
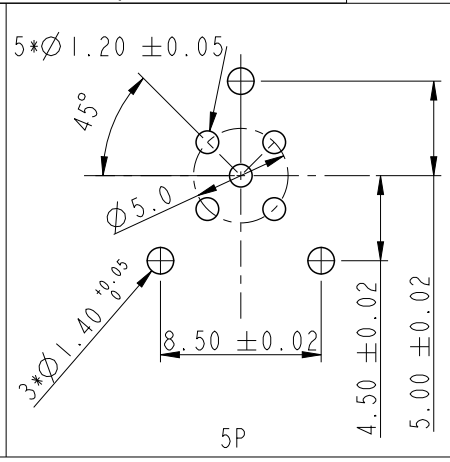
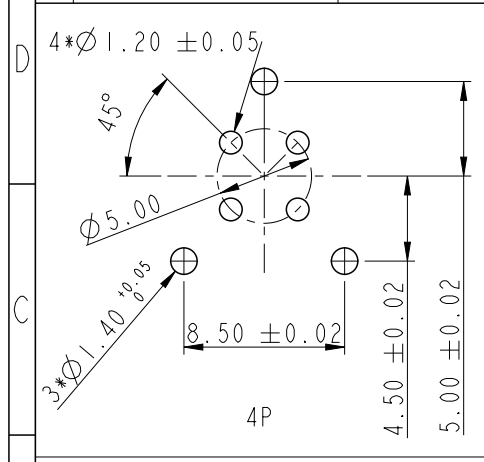
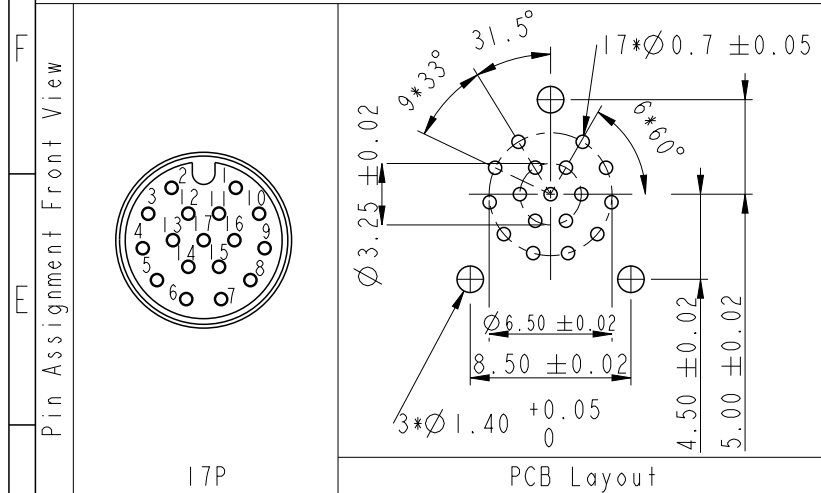
| | |
|------------------|------------------------------|
| ITEM NO | DWG NO M12A-XXPMMP-EE0001 |
| CUSTOMER ALTW | |

| | |
|---------------------|--------------------|
| DRAWN BY Yunchen | CHECKED BY Aric |
| APPROVED BY Fred | |

| | |
|--------------------|--------------------|
| DATE 2024/05/22 | DATE 2024/05/22 |
| DATE 2024/05/22 | |

THIS DOCUMENT IS SUBJECT TO CHANGE WITHOUT NOTICE. IT IS CONFIDENTIAL AND A PROPERTY OF Amphenol LTW. DISCLOSURE TO THIRD PARTY HAS TO BE AUTHORIZED BY Amphenol LTW.

2 3 4 5 6 7 8



UNIT: mm

TOLERANCE

| | |
|--------|-------|
| .X | ±0.25 |
| .XX | ±0.1 |
| .XXX | ±0.05 |
| ANGLES | ±1° |

TITLE

N SEN, M12 A, NONE
RECEPTACLE, M, M, PCB S

| | | | | | | | |
|-------|-----|---------|----|--------------------|---|----|---|
| SCALE | 1:1 | SIZE | A4 | SHEET | 3 | OF | 5 |
| REV. | C | WC-REV. | .0 | ☉: Inspection item | | | |

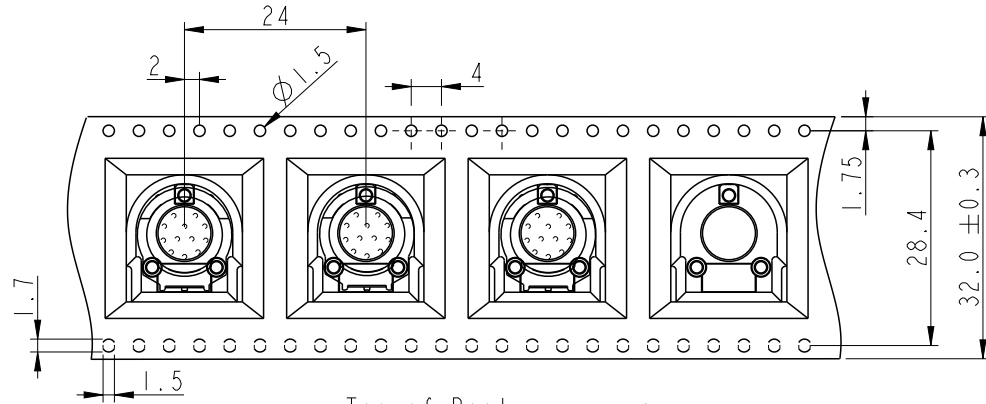
Amphenol LTW
安費諾亮泰企業股份有限公司

| | | | | | |
|----------|--------------------|-------------|---------|------|------------|
| ITEM NO | | DRAWN BY | Yunchen | DATE | 2024/05/22 |
| DWG NO | M12A-XXPMMP-EE0001 | CHECKED BY | Aric | DATE | 2024/05/22 |
| CUSTOMER | ALTW | APPROVED BY | Fred | DATE | 2024/05/22 |

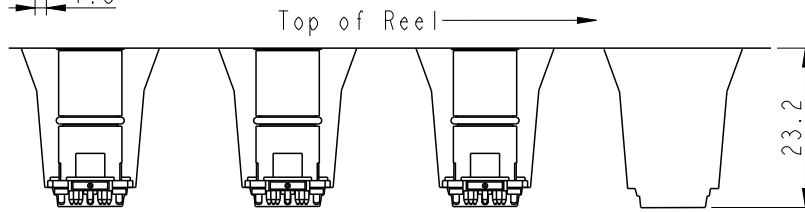
| | |
|------|------------|
| DATE | 2024/05/22 |
| DATE | 2024/05/22 |
| DATE | 2024/05/22 |

2 3 4 5 6 7 8 W10814-03-001A2

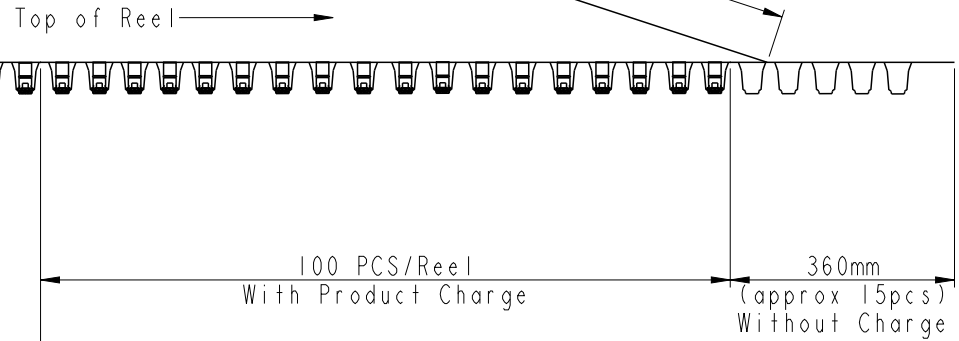
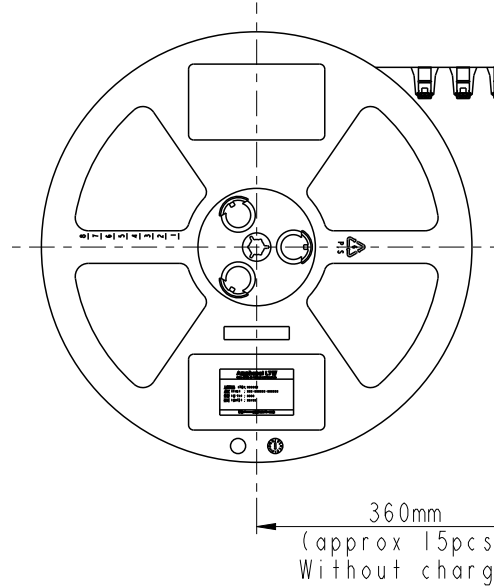
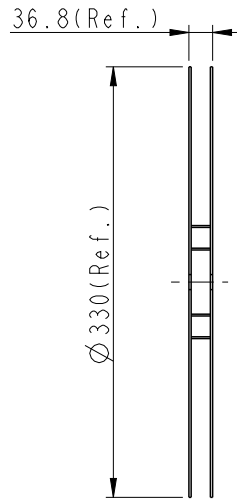
Tape & Reel Information:



Note:
 * Connector Orientation Follow Drawing



Wide Cover Tape Around
 Out Periphery 1 Turn
 Peeling Strength 0.1~1.3N Max.
 (300±10mm/min)
 Peeling Angle
 165~180°



UNIT: mm
 TOLERANCE

| | | | |
|--|--------------|-----------------|--|
| TITLE N SEN, M12 A, NONE RECEPTACLE, M, M, PCB S | | | |
| SCALE 1:1 | SIZE A4 | SHEET 4 OF 5 | |
| REV. C | WC-REV. 1 | Inspection item | |

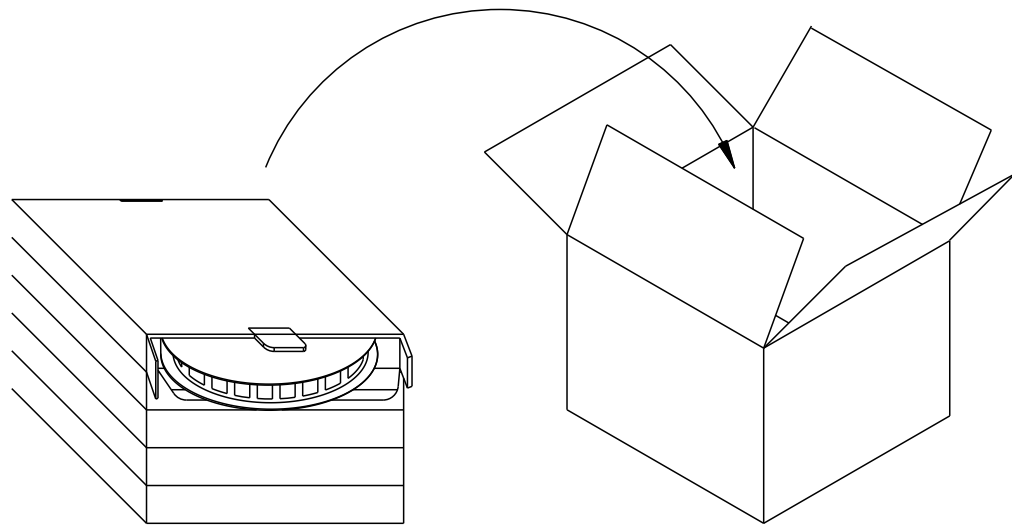
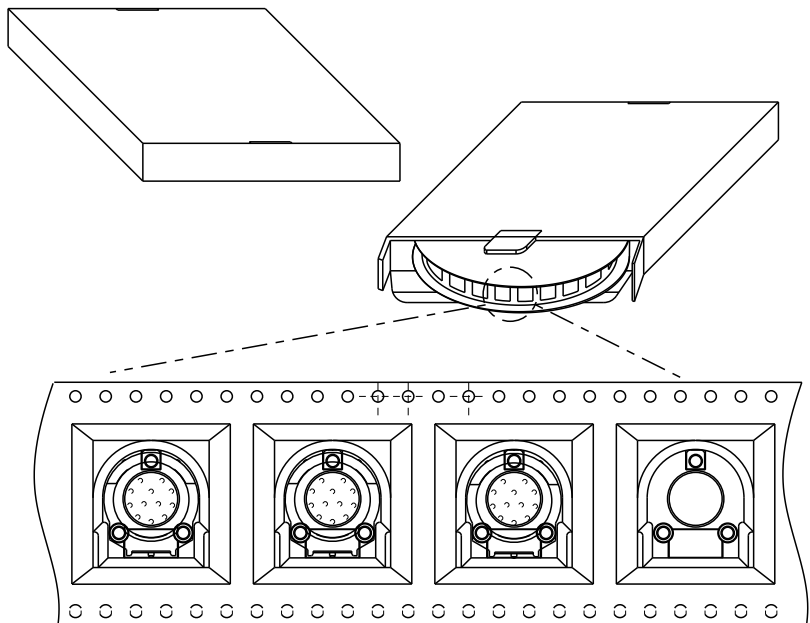
Amphenol LTW
 安費諾亮泰企業股份有限公司

| | | |
|------------------------------|---------------------|--------------------|
| ITEM NO | DRAWN BY Yunchen | DATE 2024/05/22 |
| DWG NO M12A-XXPMMP-EE0001 | CHECKED BY Aric | DATE 2024/05/22 |
| CUSTOMER ALTW | APPROVED BY Fred | DATE 2024/05/22 |

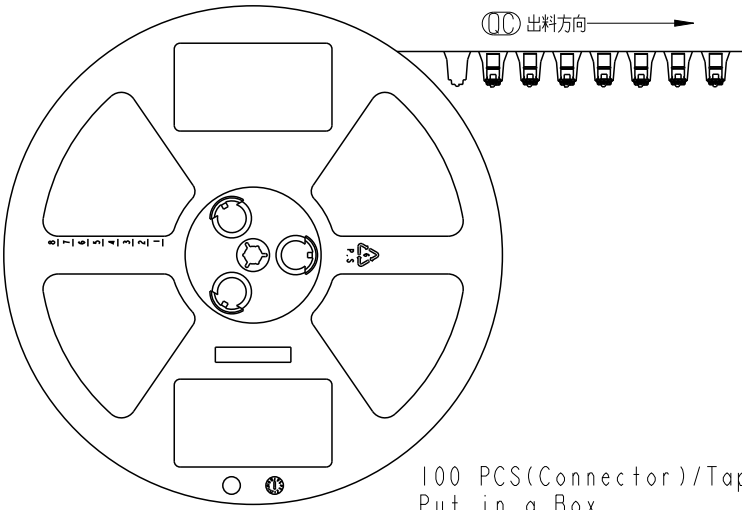
THIS DOCUMENT IS SUBJECT TO CHANGE WITHOUT NOTICE. IT IS CONFIDENTIAL AND A PROPERTY OF Amphenol LTW. DISCLOSURE TO THIRD PARTY HAS TO BE AUTHORIZED BY Amphenol LTW.

THIS DOCUMENT IS SUBJECT TO CHANGE WITHOUT NOTICE. IT IS CONFIDENTIAL AND A PROPERTY OF Amphenol LTW. DISCLOSURE TO THIRD PARTY HAS TO BE AUTHORIZED BY Amphenol LTW.

Package:



One Carton can put in the 5PCS(Max.) Box
(500 PCS/Carton)



100 PCS(Connector)/Tape&Reel,
Put in a Box

| | | |
|-----------|--|--|
| UNIT:mm | | |
| TOLERANCE | | |

| | | | |
|--|------------|--------------------|--|
| TITLE N SEN, M12 A, NONE RECEPTACLE, M, M, PCB S | | | |
| SCALE 1:1 | SIZE A4 | SHEET 5 OF 5 | |
| REV. C | WC-REV. | ①: Inspection item | |

Amphenol LTW
安費諾亮泰企業股份有限公司

| | |
|------------------|------------------------------|
| ITEM NO | DWG NO M12A-XXPMMP-EE0001 |
| CUSTOMER ALTW | |

| | |
|---------------------|--------------------|
| DRAWN BY Yunchen | CHECKED BY Aric |
| APPROVED BY Fred | |

| | |
|--------------------|--------------------|
| DATE 2024/05/22 | DATE 2024/05/22 |
| DATE 2024/05/22 | |