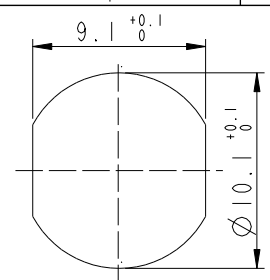
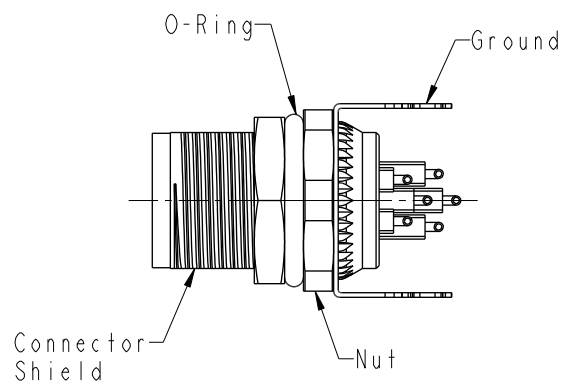
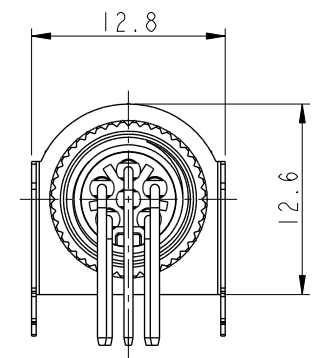
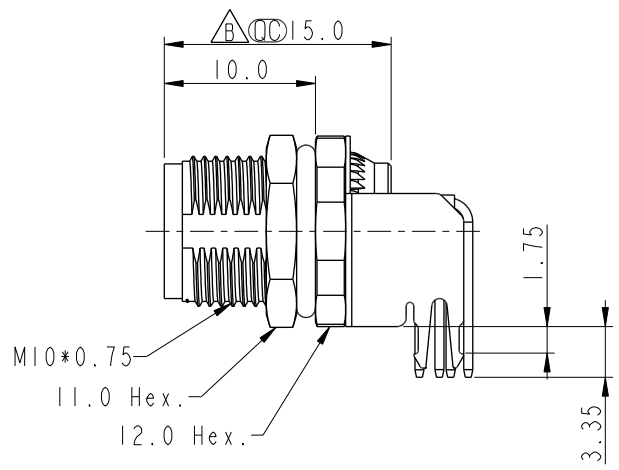
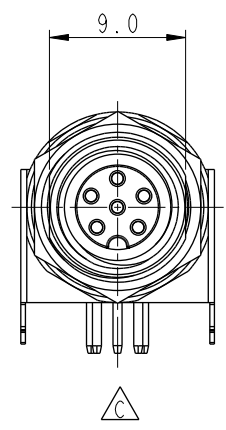


THIS DOCUMENT IS SUBJECT TO CHANGE WITHOUT NOTICE. IT IS CONFIDENTIAL AND A PROPERTY OF Amphenol LTW. DISCLOSURE TO THIRD PARTY HAS TO BE AUTHORIZED BY Amphenol LTW.

REV.	ECN NO.	DATE	SIGN	DESCRIPTION
B	C210686	2021/05/12	Vicky	△B X4
C	C220542	2022/03/30	Eagle	△C X2
D	C221882	2022/12/19	Vicky	△D X2



Recommended Panel Cut-Out



- △B Note:
- \* RoHS Compliant
  - \* Ⓞ Important dimension
  - △D \* Waterproof rate: IP68, unmated 1m/24h
  - \* Connector
  - Housing: Thermoplastic, Black
  - Pin: Copper alloy, Gold plated
  - O-Ring: Rubber, Green
  - \* Shield: Metal
  - \* Ground: Metal
  - \* Nut: Metal
  - \* O-Ring: Rubber, Green
  - \* For panel thickness: 2.0~4.5mm
  - \* For pcb thickness max: 1.6mm
  - \* Nut is packed separately in pe bag

UNIT: mm		
TOLERANCE	.X ±0.25	
	.XX ±0.1	
	.XXX ±0.05	
ANGLES	±1°	

TITLE N SEN, M8W/KEY-SHLD, SCREW RECEPTACLE, F, F, PCB R			△B
SCALE 2:1	SIZE A4	SHEET 1 OF 2	
REV. D	WC-REV. A.6	Ⓞ: Inspection item	

**Amphenol LTW**  
安費諾亮泰企業股份有限公司

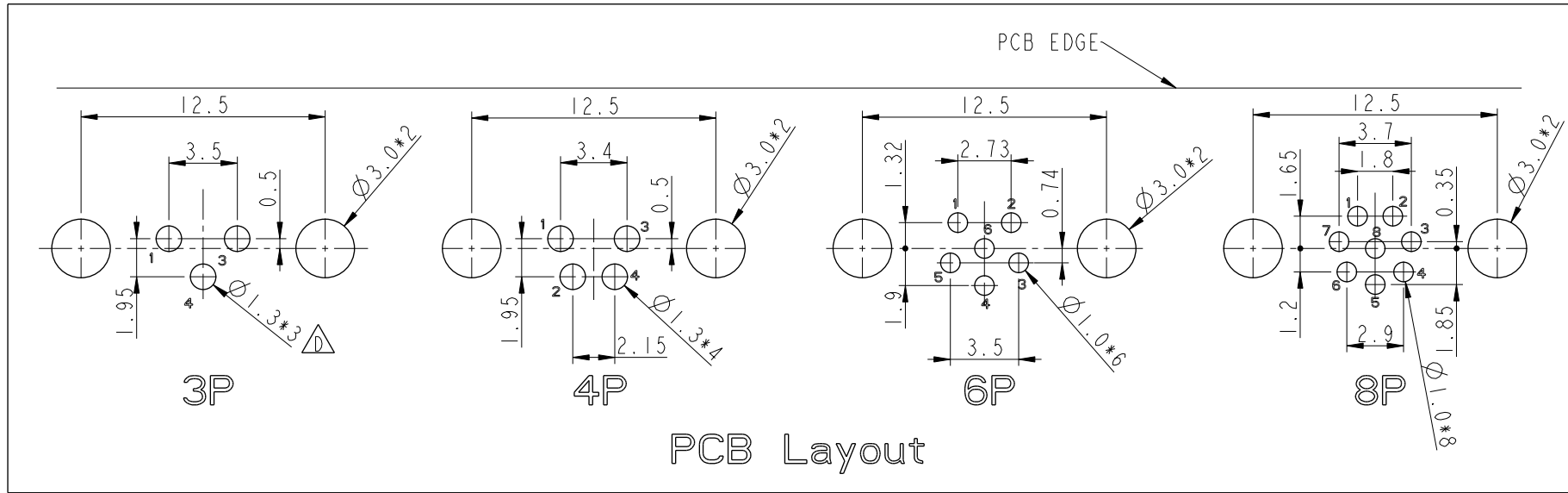
ITEM NO.	DRAWN BY Yulong_wang	DATE 2016-01-20
DWG NO. M8S-XXPFFR-SF8001	CHECKED BY Cary	DATE 2016-01-20
CUSTOMER ALTW	APPROVED BY Jerry	DATE 2016-01-20

THIS DOCUMENT IS SUBJECT TO CHANGE WITHOUT NOTICE. IT IS CONFIDENTIAL AND A PROPERTY OF Amphenol LTW. DISCLOSURE TO THIRD PARTY HAS TO BE AUTHORIZED BY Amphenol LTW.

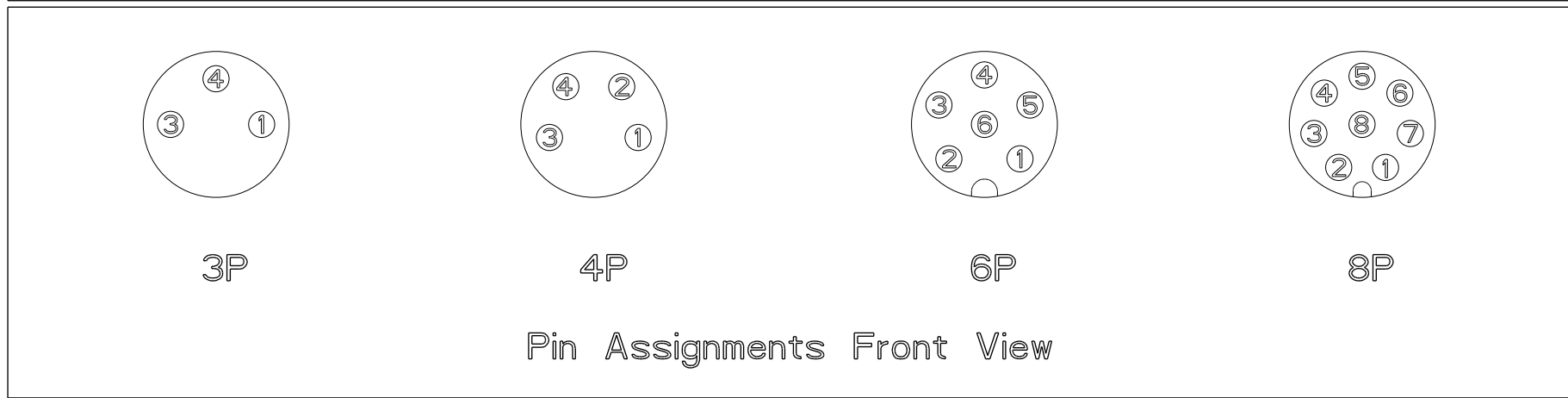
△C

△B  
M8S-XXPFFR-SF8001

XX: No. Of Pin

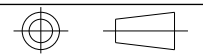


PCB Layout



Pin Assignments Front View

UNIT: mm



TITLE N SEN, M8W/KEY-SHLD, SCREW RECEPTACLE, F, F, PCB R			
SCALE 2:1	SIZE A4	SHEET 2 OF 2	
REV. D	WC-REV. A.6	QC: Inspection item	

**Amphenol LTW**  
安費諾亮泰企業股份有限公司

ITEM NO	DWG NO M8S-XXPFFR-SF8001
CUSTOMER ALTW	

DRAWN BY Yulong_wang	CHECKED BY Cary
APPROVED BY Jerry	

DATE 2016-01-20	DATE 2016-01-20
DATE 2016-01-20	