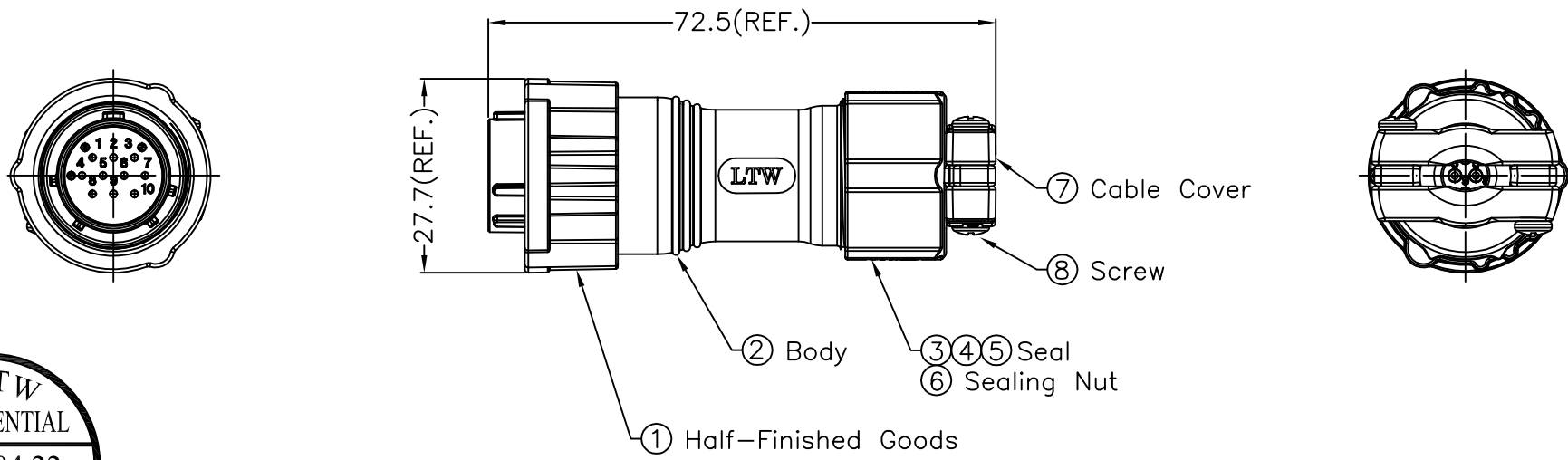
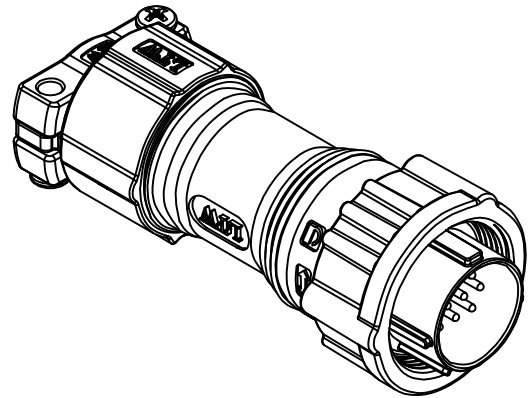


5	6	7	8
REV. A	ECN NO. Initial Release	DATE 2010/04/22	SIGN Jessie
			DESCRIPTION Form Rev.02 To A

THIS DOCUMENT IS SUBJECT TO CHANGE WITHOUT NOTICE. IT IS CONFIDENTIAL AND A PROPERTY OF Amphenol LTW. DISCLOSURE TO THIRD PARTY HAS TO BE AUTHORIZED BY Amphenol LTW.



ALTW  
CONFIDENTIAL  
2010.04.22  
R&D DEPT.



ALTW  
DCC. DEPT.  
CONFIDENTIAL  
2010.06.09  
ISSUED

- Note:
- \* @C Important Dimension
  - \* Waterproof Rate: IP68  
IP68: 1M depth of water in 24 Hrs.  
(防水等級: IP68)  
IP68: 水深一米測試 24 小時
  - \* Cable OD:  $\phi 5.5\text{mm} \sim \phi 12.5\text{mm}$
  - \* Gasket: Silicone ,Gray
  - \* Shell: Zinc Alloy ,Electrodeposition Coating ,Black.
  - \* Male Pin: Copper Alloy ,Gold Plated
  - \* Insulation: Nylon ,Black
  - ⑨ \* One Set Assembled in one PE Bag.

UNIT:mm		TITLE Circular II Series 10 Pin Assy	<b>Amphenol LTW</b>		ITEM NO HD20-10BFMA-SL8001	DRAWN BY Jessie	DATE 2010/04/22
TOLERANCE .X ±0.25 .XX ±0.1 .XXX ±0.05 ANGLES ±1°	SCALE Free	SHEET 1 OF 1	<b>安費諾亮泰企業股份有限公司</b>		DWG NO HD20-10BFMA-SL8001	CHECKED BY Jimmy	DATE 2010/05/12
REV. A	SIZE A4	@C :Inspection Item			CUSTOMER ALTW	APPROVED BY Win	DATE 2010/05/12