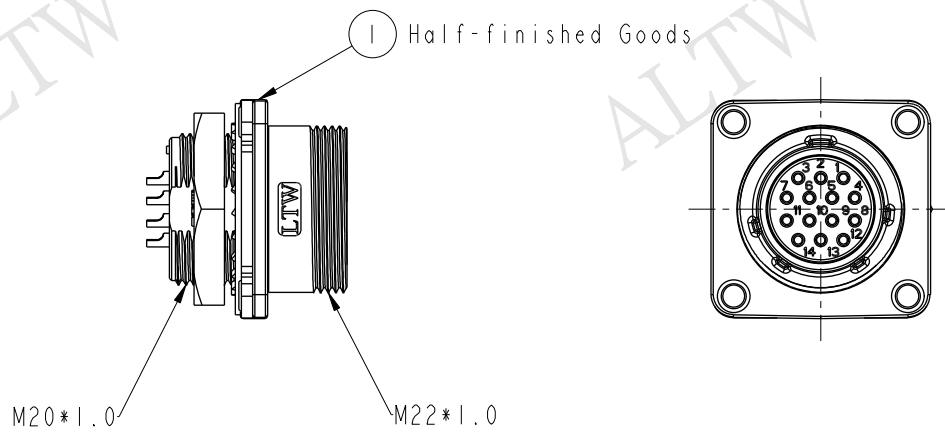
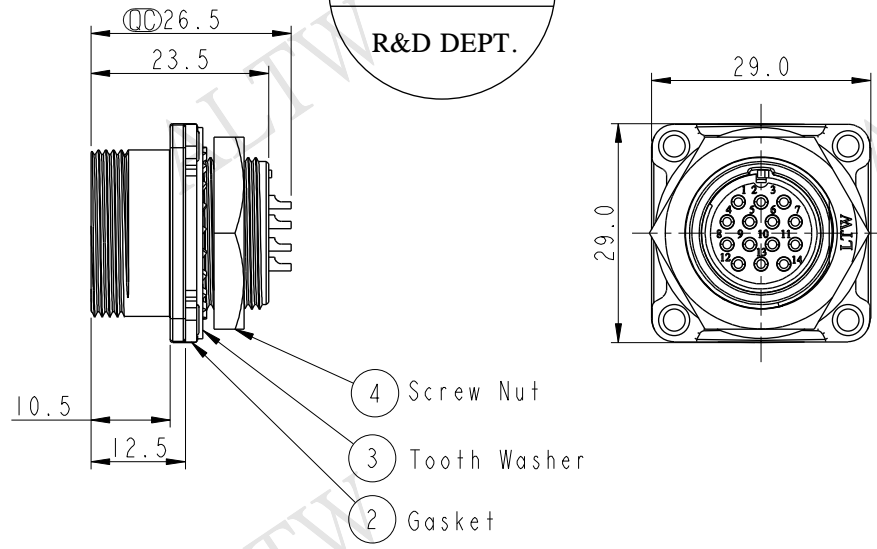


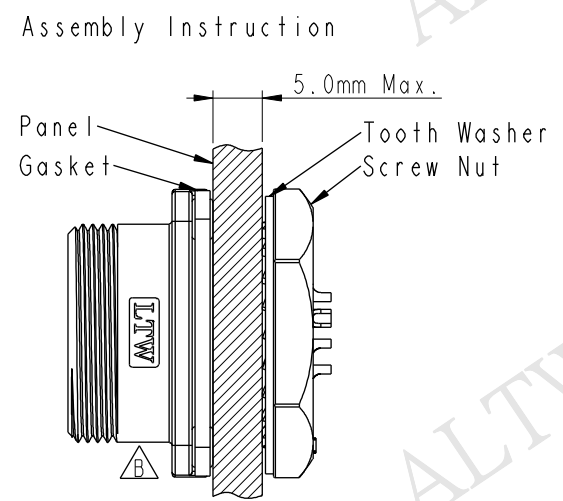
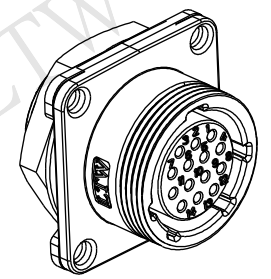
THIS DOCUMENT IS SUBJECT TO CHANGE WITHOUT NOTICE. IT IS CONFIDENTIAL AND A PROPERTY OF Amphenol LTW. DISCLOSURE TO THIRD PARTY HAS TO BE AUTHORIZED BY Amphenol LTW.

REV.	ECN NO.	DATE	SIGN	DESCRIPTION
A	Initial Release	2012/10/22	Ruru	HD20-14RMFS-SS8001 To HD20-14PMFS-SN8001
B	LEN14A0106	2014/09/15	Feng_Li	Change Logo Direction
C	LE31650221	2016/05/03	Vicky	Update Note

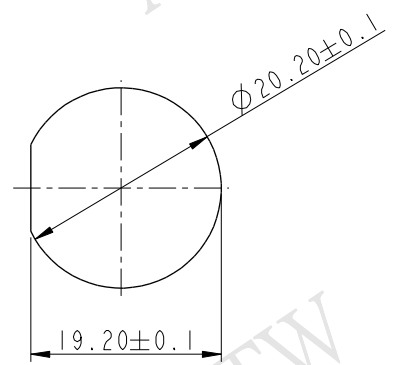
ALTW
 CONFIDENTIAL
 2016-05-03
 R&D DEPT.



ALTW
 DCC. DEPT.
 CONFIDENTIAL
 2016.05.13
 ISSUED



- △ Note:
- * ⌀ Important Dimension.
 - * Waterproof Rate: IP68.
IP68: 1M depth of water in 24 Hrs.
(防水等級: IP68)
IP68: 水深一米測試24小時
 - * Shell: Zinc Alloy , Electrodeposition Coating, Black.
 - * Insulation: Nylon , Black.
 - * Female Pin: Copper Alloy , Gold Plated.
 - * Gasket: Silicone , Gray.
 - * Recommended Panel Thickness 5.0mm(Max).



Recommend Panel Cut-Out

UNIT: mm		TITLE			ITEM NO.	DRAWN BY	DATE
TOLERANCE .X ±0.25 .XX ±0.1 .XXX ±0.05 ANGLES ±1°		PANEL NUT 14PIN M CONN F PIN			HD20-14PMFS-SN8001	Vicky	2016-05-03
SCALE 1:1 REV. C		SIZE A4 WC-REV. A.3	SHEET 1 OF 1 ⌀: Inspection item	DWG NO. HD20-14PMFS-SN8001 CUSTOMER ALTW	CHECKED BY Rita APPROVED BY Lisa	DATE 2016-05-03 DATE 2016-05-03	
Amphenol LTW 安費諾亮泰企業股份有限公司							