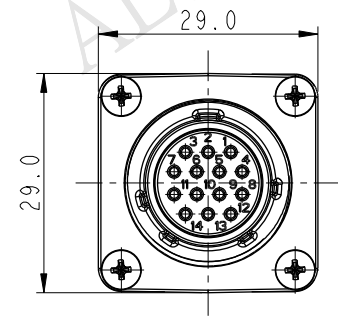
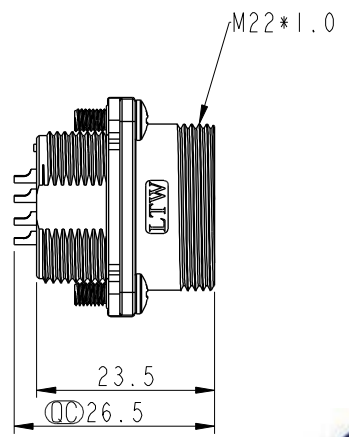
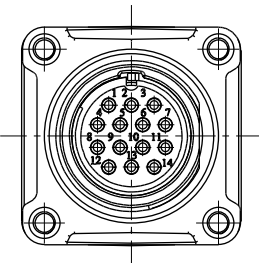
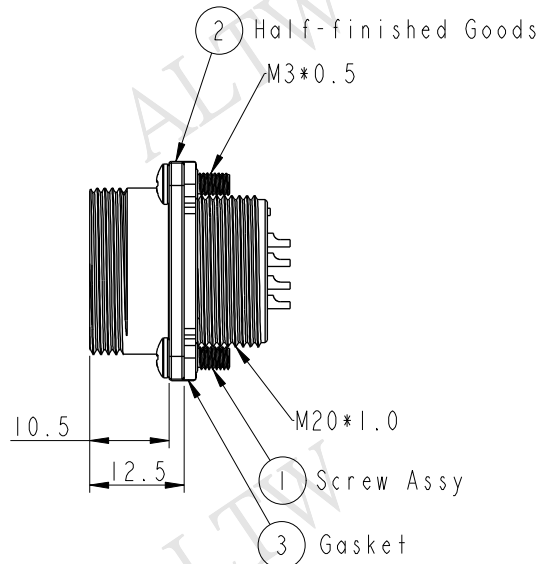
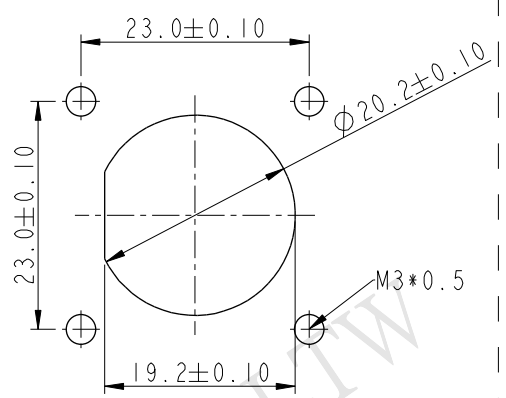
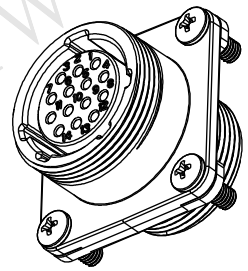


REV.	ECN NO.	DATE	SIGN	DESCRIPTION
A	Initial Release	2012/10/22	Ruru	HD20-14PMFS-SS8001 To HD20-14PMFS-SW8001
B	LEN14A0107	2014/09/30	Feng_Li	Change Logo Direction
C	LE31650222	2016/05/03	Vicky	Update Note

**ALTW**  
**CONFIDENTIAL**  
 2016-05-03  
**R&D DEPT.**

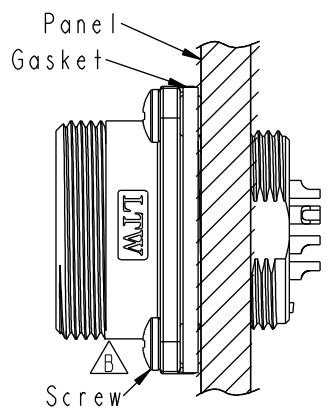


**ALTW**  
 DCC. DEPT.  
**CONFIDENTIAL**  
 2016.05.13  
**ISSUED**



Recommend Panel Cut-Out

Assembly Instruction



Note:

- \*  $\varnothing$  Important Dimension.
- \* Waterproof Rate: IP68.  
IP68: 1M depth of water in 24 Hrs.  
(防水等級: IP68)  
IP68: 水深一米測試24小時
- \* Shell: Zinc Alloy, Electrodeposition Coating, Black.
- \* Insulation: Nylon, Black.
- \* Female Pin: Copper Alloy, Gold Plated.
- \* Gasket: Silicone, Gray.
- \* Screw: Stainless Steel.
- \* Recommended Panel Thickness 9mm(Max).

UNIT: mm		
TOLERANCE	.X ±0.25	
.XX ±0.1		
.XXX ±0.05		
ANGLES	±1°	

TITLE PANEL SCREW 14PIN M CONN F PIN			
SCALE 1:1	SIZE A4	SHEET 1 OF 1	
REV. C	WC-REV. A.3	$\varnothing$ : Inspection item	

**Amphenol LTW**  
**安費諾亮泰企業股份有限公司**

ITEM NO. HD20-14PMFS-SW8001	DRAWN BY Vicky	DATE 2016-05-03
DWG NO. HD20-14PMFS-SW8001	CHECKED BY Rita	DATE 2016-05-03
CUSTOMER ALTW	APPROVED BY Lisa	DATE 2016-05-03

THIS DOCUMENT IS SUBJECT TO CHANGE WITHOUT NOTICE. IT IS CONFIDENTIAL AND A PROPERTY OF Amphenol LTW. DISCLOSURE TO THIRD PARTY HAS TO BE AUTHORIZED BY Amphenol LTW.