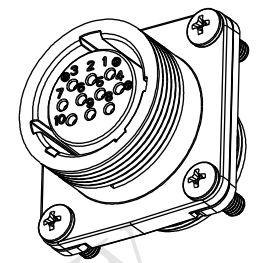
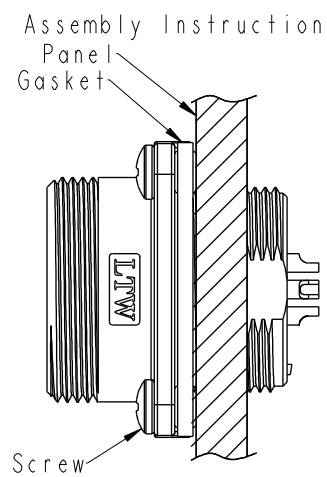
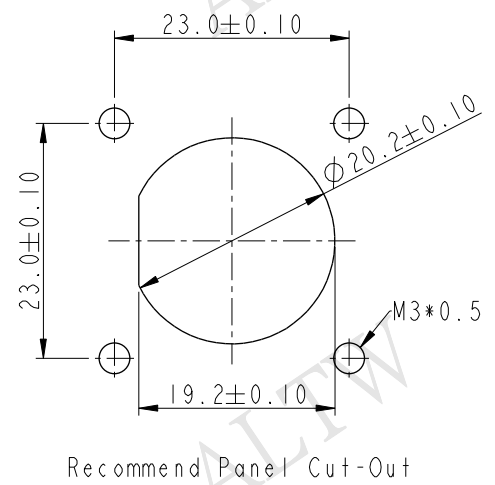
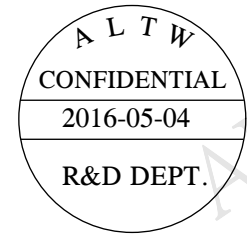
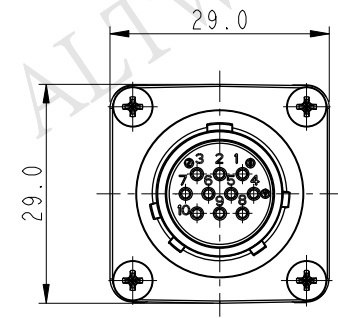
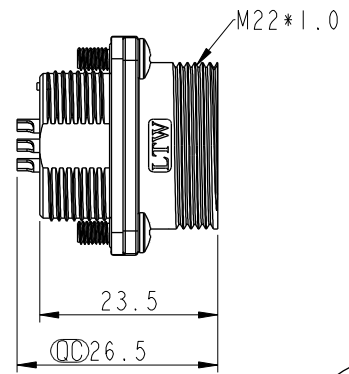
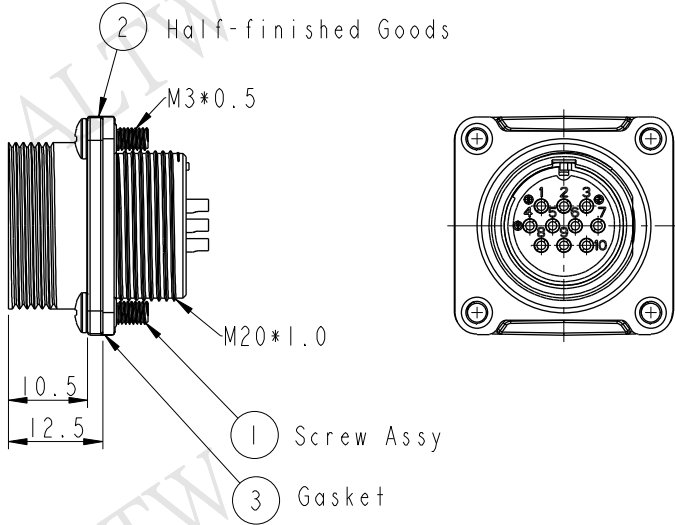


REV.	ECN NO.	DATE	SIGN	DESCRIPTION
A	Initial Release	2012/10/22	Ruru	LD20-10PMFS-SS8001 To LD20-10PMFS-SW8001
B	LE31650234	2016/05/04	Vicky	Update Note



- Note:**
- * \varnothing Important Dimension.
 - * Waterproof Rate: IP68.
IP68: 1M depth of water in 24 Hrs.
(防水等級: IP68)
IP68: 水深一米測試 24 小時
 - * Shell: Zinc Alloy#3, Ni Plated, Silver.
 - * Insulation: Nylon, Black.
 - * Female Pin: Copper Alloy, Silver Plated.
 - * Gasket: Silicone, Gray.
 - * Screw: Stainless Steel.
 - * Recommended Panel Thickness 9mm(Max).

UNIT: mm		TITLE		ITEM NO		DRAWN BY		DATE	
		PANEL SCREW 10PIN M CONN F PIN		LD20-10PMFS-SW8001		Vicky		2016-05-04	
TOLERANCE	.X ±0.25	SCALE	1:1	SIZE	A4	CHECKED BY	Rita	DATE	2016-05-04
.XX ±0.1	.XXX ±0.05	REV.	B	WC-REV.	A.2	APPROVED BY	Lisa	DATE	2016-05-04
ANGLES ±1°						CUSTOMER	ALTW		

Amphenol LTW
安費諾亮泰企業股份有限公司

THIS DOCUMENT IS SUBJECT TO CHANGE WITHOUT NOTICE. IT IS CONFIDENTIAL AND A PROPERTY OF Amphenol LTW. DISCLOSURE TO THIRD PARTY HAS TO BE AUTHORIZED BY Amphenol LTW.