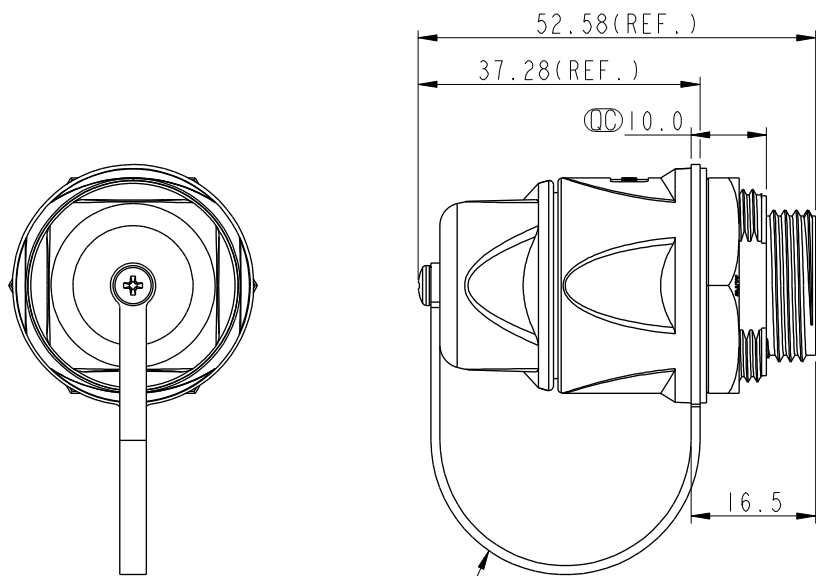
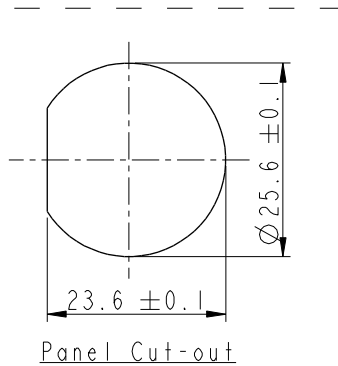


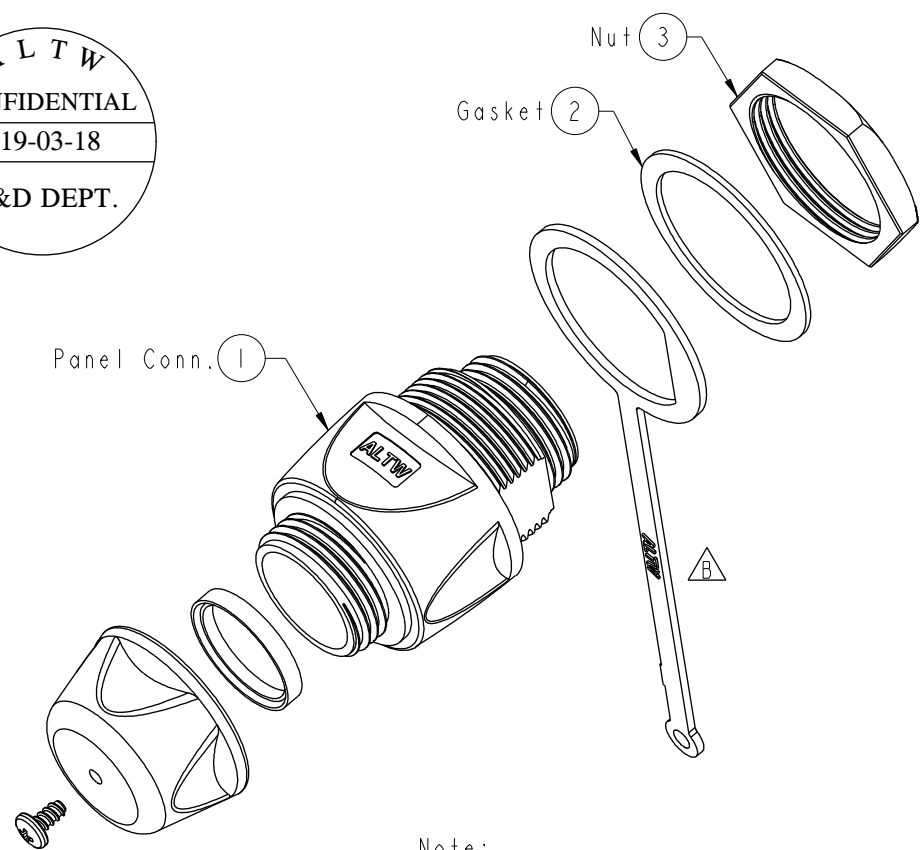
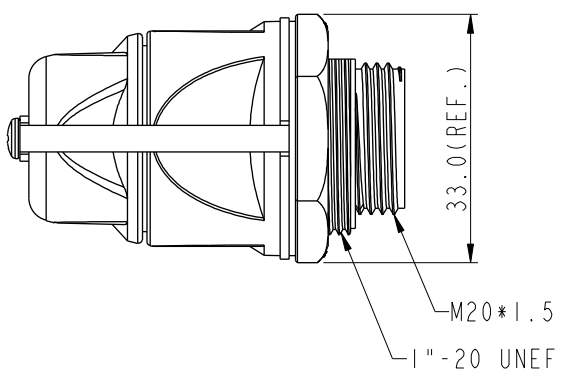
REV.	ECN NO.	DATE	SIGN	DESCRIPTION
B	LEN1730396	2017/03/29	Vicky	Update Logo
C	CI90405	2019/03/18	Ruru	Modify Note



Waterproof Cap 4



Panel Cut-out



- Note:
- * \varnothing Important Dimension
 - * Waterproof Rate: IP67, Unmated
 - * Cap: Thermoplastic, Black
 - * Inner Gasket: Rubber, Black
 - * Chain: Thermoplastic, Black
 - * Panel Conn.: Thermoplastic, Black
 - * Maximum Panel Thickness: 3.5mm
 - * One Set Unassembled In One PE Bag

UNIT:mm		
TOLERANCE	.X ±0.25	
.XX	±0.1	
.XXX	±0.05	
ANGLES	±1°	

TITLE RJ45 D Size Double Screw Panel F Conn F Pin			
SCALE 1:1	SIZE A4	SHEET 1 OF 1	
REV. C	WC-REV. A.4	\varnothing : Inspection item	

Amphenol LTW
安費諾亮泰企業股份有限公司

ITEM NO RDP-00PFFH-SCU7002	DRAWN BY Ruru	DATE 2019-03-18
DWG NO RDP-00PFFH-SCU7002	CHECKED BY Rita	DATE 2019-03-18
CUSTOMER ALTW	APPROVED BY Max	DATE 2019-03-18

THIS DOCUMENT IS SUBJECT TO CHANGE WITHOUT NOTICE. IT IS CONFIDENTIAL AND A PROPERTY OF AMPHENOL LTW. DISCLOSURE TO THIRD PARTY HAS TO BE AUTHORIZED BY AMPHENOL LTW.