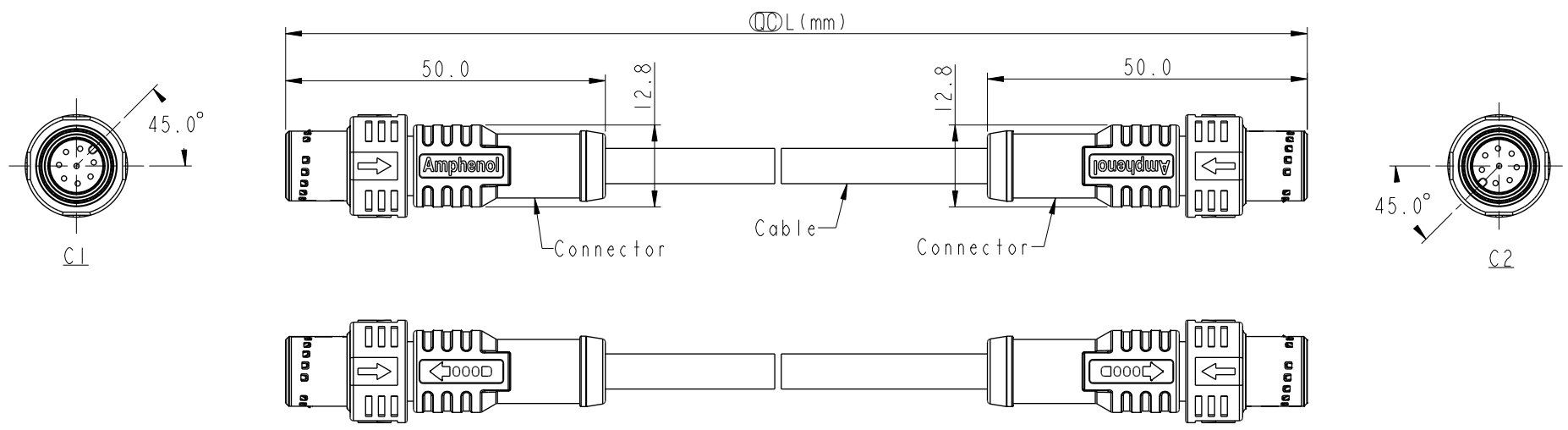


THIS DOCUMENT IS SUBJECT TO CHANGE WITHOUT NOTICE. IT IS CONFIDENTIAL AND A PROPERTY OF AMPHENOL LTW. DISCLOSURE TO THIRD PARTY HAS TO BE AUTHORIZED BY AMPHENOL LTW.

REV.	ECN NO.	DATE	SIGN	DESCRIPTION
A		2022/05/17	Ruru	Initial Released
B	C222001	2022/12/29	Ruru	$\triangle B \times 2$

This connector design is for pin:4 ~ 8



- Note:
- \* RoHS Compliant
  - \*  $\circledast$  Important dimension
  - $\triangle B$  \* Waterproof rate: IP68, mated 1m/24h
  - \* Connector
    - Housing: Thermoplastic, Black
    - Pin: Copper alloy, Gold plated
    - Shield: Metal
    - Slider: Thermoplastic, Black
    - Outer Mold: Thermoplastic, Black
  - \* Cable: UL20549, PUR Jacket, Black
  - \* Cable Length Tolerance:
 

0.5M < L $\leq$ 1M:	+60/-0 mm
1M < L $\leq$ 3M:	+120/-0 mm
3M < L $\leq$ 5M:	+160/-0 mm
5M < L $\leq$ 10M:	$\pm 100$ mm
10M < L $\leq$ 20M:	$\pm 200$ mm
20M < L $\leq$ 30M:	$\pm 300$ mm
30M < L $\leq$ 99M:	$\pm 500$ mm

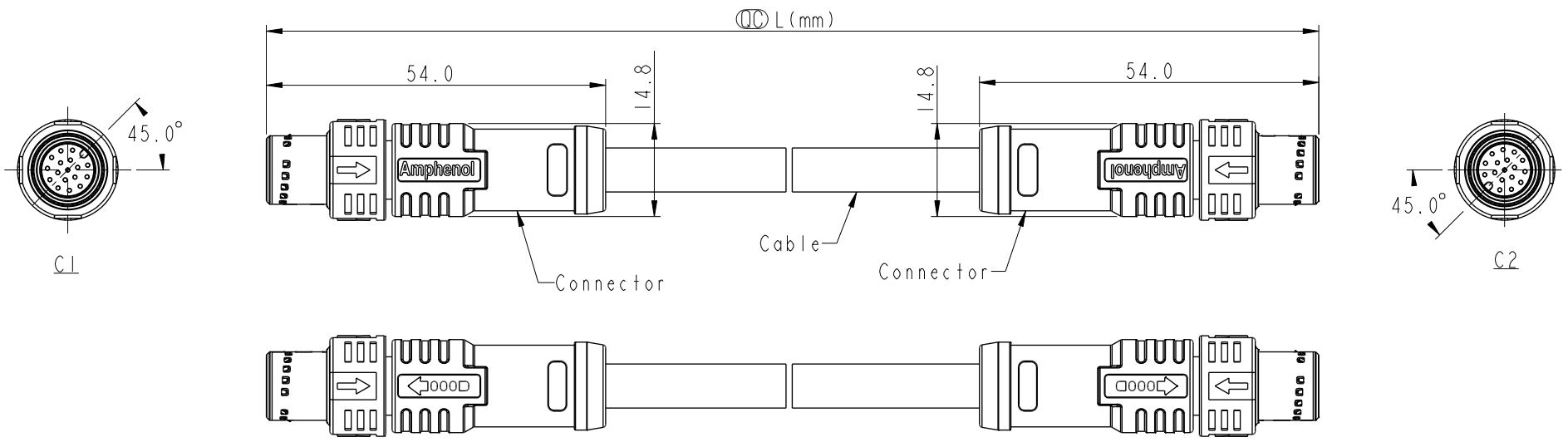
UNIT: mm		TITLE	ACC, SEN, A Code, DB-ENDED MM		
TOLERANCE	$\pm 0.5$ mm	SCALE	1:1	SIZE	A4
		REV.	B	WC-REV.	A.1
				$\circledast$	Inspection item
		SHEET	1	OF	3

**Amphenol LTW**  
安費諾亮泰企業股份有限公司

ITEM NO.	DRAWN BY	DATE
	Ruru	2022/05/17
DWG NO.	CHECKED BY	DATE
M12AXXML-12AML-PBXXX	Rita	2022/05/17
CUSTOMER	APPROVED BY	DATE
ALTW	Max	2022/05/17

THIS DOCUMENT IS SUBJECT TO CHANGE WITHOUT NOTICE. IT IS CONFIDENTIAL AND A PROPERTY OF Amphenol LTW. DISCLOSURE TO THIRD PARTY HAS TO BE AUTHORIZED BY Amphenol LTW.

This connector design is for pin:10 ~ 17



- Note:
- \* RoHS Compliant
  - \*  $\text{L}$  Important dimension
  - $\triangle B$  \* Waterproof rate: IP68, mated 1m/24h
  - \* Connector
    - Housing: Thermoplastic, Black
    - Pin: Copper alloy, Gold plated
    - Shield: Metal
    - Slider: Thermoplastic, Black
    - Outer Mold: Thermoplastic, Black
  - \* Cable: UL20549, PUR Jacket, Black
  - \* Cable Length Tolerance:
 

0.5M < L $\leq$ 1M:	+60/-0 mm
1M < L $\leq$ 3M:	+120/-0 mm
3M < L $\leq$ 5M:	+160/-0 mm
5M < L $\leq$ 10M:	$\pm$ 100 mm
10M < L $\leq$ 20M:	$\pm$ 200 mm
20M < L $\leq$ 30M:	$\pm$ 300 mm
30M < L $\leq$ 99M:	$\pm$ 500 mm

UNIT: mm		TITLE ACC, SEN, A Code, DB-ENDED MM			<h2 style="margin: 0;">Amphenol LTW</h2> <p style="margin: 0;">安費諾亮泰企業股份有限公司</p>	ITEM NO	DRAWN BY	DATE		
		TOLERANCE $\pm 0.5\text{mm}$				SCALE 1:1	SIZE A4	SHEET 2 OF 3	CHECKED BY	DATE
		REV. B	WC-REV. A.1	$\text{L}$ : Inspection item		CUSTOMER ALTW	APPROVED BY Max	DATE 2022/05/17		

