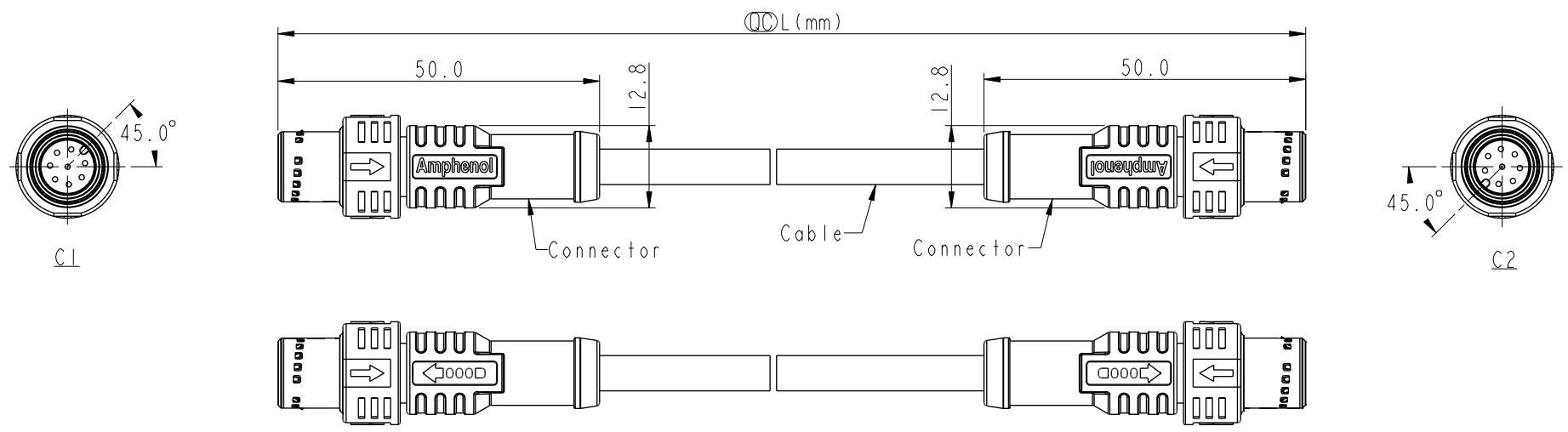


THIS DOCUMENT IS SUBJECT TO CHANGE WITHOUT NOTICE. IT IS CONFIDENTIAL AND A PROPERTY OF AMPHENOL LTW. DISCLOSURE TO THIRD PARTY HAS TO BE AUTHORIZED BY AMPHENOL LTW.

REV.	ECN NO.	DATE	SIGN	DESCRIPTION
A		2022/05/17	Ruru	Initial Released
B	C222001	2022/12/29	Ruru	$\triangle B$ X2

This connector design is for pin:4 ~ 8



- Note:
- * RoHS Compliant
 - * \varnothing Important dimension
 - $\triangle B$ * Waterproof rate: IP68, mated 1m/24h
 - * Connector
 - Housing: Thermoplastic, Black
 - Pin: Copper alloy, Gold plated
 - Shield: Metal
 - Slider: Thermoplastic, Black
 - Outer Mold: Thermoplastic, Black
 - * Cable: UL2517, PVC Jacket, Black
 - * Cable Length Tolerance:

0.5M < L ≤ 1M	+60/-0 mm
1M < L ≤ 3M	+120/-0 mm
3M < L ≤ 5M	+160/-0 mm
5M < L ≤ 10M	±100 mm
10M < L ≤ 20M	±200 mm
20M < L ≤ 30M	±300 mm
30M < L ≤ 99M	±500 mm

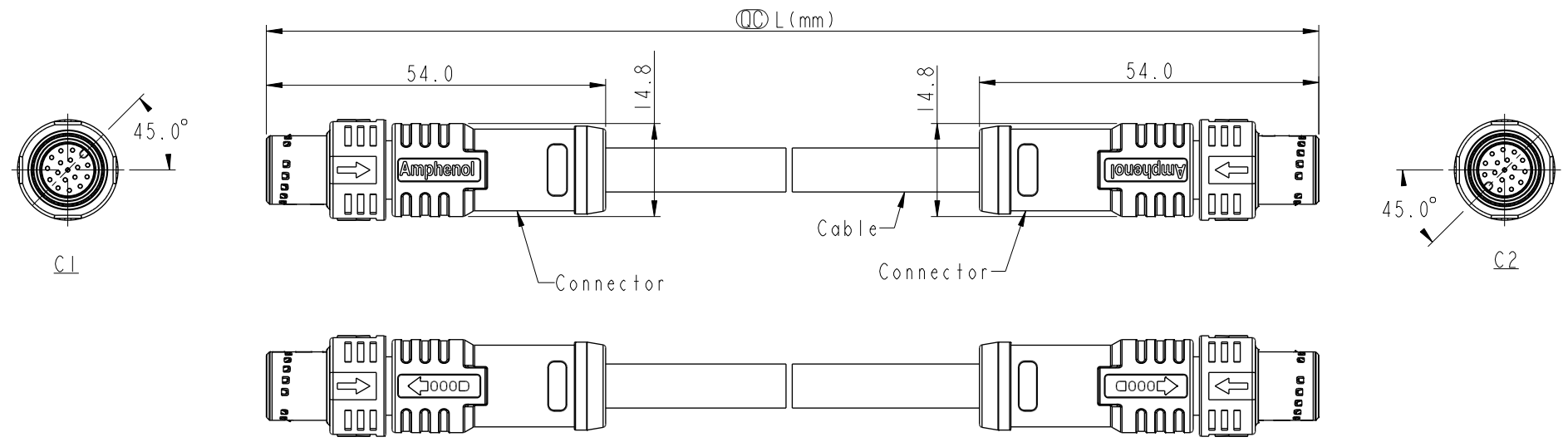
UNIT: mm		TITLE	ACC, SEN, A Code, DB-ENDED MM	
TOLERANCE	±0.5mm	SCALE	1:1	SIZE A4
		REV.	B	WC-REV. A.1
		SHEET	1	OF 3
		\varnothing : Inspection item		

Amphenol LTW
安費諾亮泰企業股份有限公司

ITEM NO	DRAWN BY	DATE
	Ruru	2022/05/17
DWG NO	CHECKED BY	DATE
M12AXXML-12AML-PDXXX	Rita	2022/05/17
CUSTOMER	APPROVED BY	DATE
ALTW	Max	2022/05/17

THIS DOCUMENT IS SUBJECT TO CHANGE WITHOUT NOTICE. IT IS CONFIDENTIAL AND A PROPERTY OF AMPHENOL LTW. DISCLOSURE TO THIRD PARTY HAS TO BE AUTHORIZED BY AMPHENOL LTW.

This connector design is for pin: 10 ~ 17



- Note:
- * RoHS Compliant
 - * $\text{\textcircled{C}}$ Important dimension
 - $\triangle B$ * Waterproof rate: IP68, mated 1m/24h
 - * Connector
 - Housing: Thermoplastic, Black
 - Pin: Copper alloy, Gold plated
 - Shield: Metal
 - Slider: Thermoplastic, Black
 - Outer Mold: Thermoplastic, Black
 - * Cable: UL2517, PVC Jacket, Black
 - * Cable Length Tolerance:

0.5M < L	≡	1M: +60/-0 mm
1M < L	≡	3M: +120/-0 mm
3M < L	≡	5M: +160/-0 mm
5M < L	≡	10M: ±100 mm
10M < L	≡	20M: ±200 mm
20M < L	≡	30M: ±300 mm
30M < L	≡	99M: ±500 mm

UNIT: mm		TITLE ACC, SEN, A Code, DB-ENDED MM			<h2 style="margin: 0;">Amphenol LTW</h2> <p style="margin: 0;">安費諾亮泰企業股份有限公司</p>	ITEM NO	DRAWN BY Ruru	DATE 2022/05/17		
		TOLERANCE ±0.5mm				SCALE 1:1	SIZE A4	SHEET 2 OF 3	CHECKED BY Rita	DATE 2022/05/17
		REV. B	WC-REV. A.1	$\text{\textcircled{C}}$: Inspection item		CUSTOMER ALTW	APPROVED BY Max	DATE 2022/05/17		

THIS DOCUMENT IS SUBJECT TO CHANGE WITHOUT NOTICE. IT IS CONFIDENTIAL AND A PROPERTY OF Amphenol LTW. DISCLOSURE TO THIRD PARTY HAS TO BE AUTHORIZED BY Amphenol LTW.

1 2 3 4 5 6 7 8

F

E

D

C

B

A

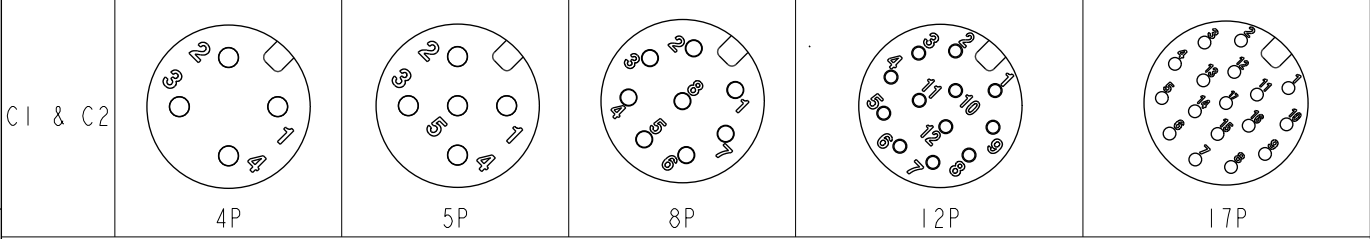
17P	7.0	26	MI2A17ML-12AML-PDXXX
12P	6.0		MI2A12ML-12AML-PDXXX
8P	5.5		MI2A08ML-12AML-PDXXX
5P	5.1	22	MI2A05ML-12AML-PDXXX
4P	4.8		MI2A04ML-12AML-PDXXX
Contacts	Cable OD	AWG	Item No.

MI2A~~XX~~ML-12AML-PDXXX

XX: No. Of Pin

XXX: 0.5~99Meters
A05: 0.5 Meter
001: 1 Meter
002: 2 Meters
:
099: 99 Meters

Pin Out	5	-		5	Gray	灰	5	Gray	灰	5	Gray	灰	5	Gray	灰	5	Gray	灰
	4	Black	黑	4	Black	黑	4	Black	黑	4	Yellow	黃	4	Yellow	黃	4	Yellow	黃
	3	Blue	藍	3	Blue	藍	3	Green	綠	3	Green	綠	3	Green	綠	3	Green	綠
	2	White	白	2	White	白	2	Brown	棕	2	Brown	棕	2	Brown	棕	2	Brown	棕
	1	Brown	棕	1	Brown	棕	1	White	白	1	White	白	1	White	白	1	White	白
	Pin #	Wire		Pin #	Wire		Pin #	Wire		Pin #	Wire		Pin #	Wire		Pin #	Wire	



Pin Assignments Front View

UNIT:mm		TITLE ACC, SEN, A Code, DB-ENDED MM	
TOLERANCE ±0.5mm	SCALE 1:1	SIZE A4	SHEET 3 OF 3
REV. B	WC-REV. A.1	QC: Inspection item	

Amphenol LTW
安費諾亮泰企業股份有限公司

ITEM NO	DRAWN BY	DATE
	Ruru	2022/05/17
DWG NO	CHECKED BY	DATE
MI2A XX ML-12AML-PDXXX	Rita	2022/05/17
CUSTOMER	APPROVED BY	DATE
ALTW	Max	2022/05/17

1 2 3 4 5 6 7 8 WI0814-03-0101A2