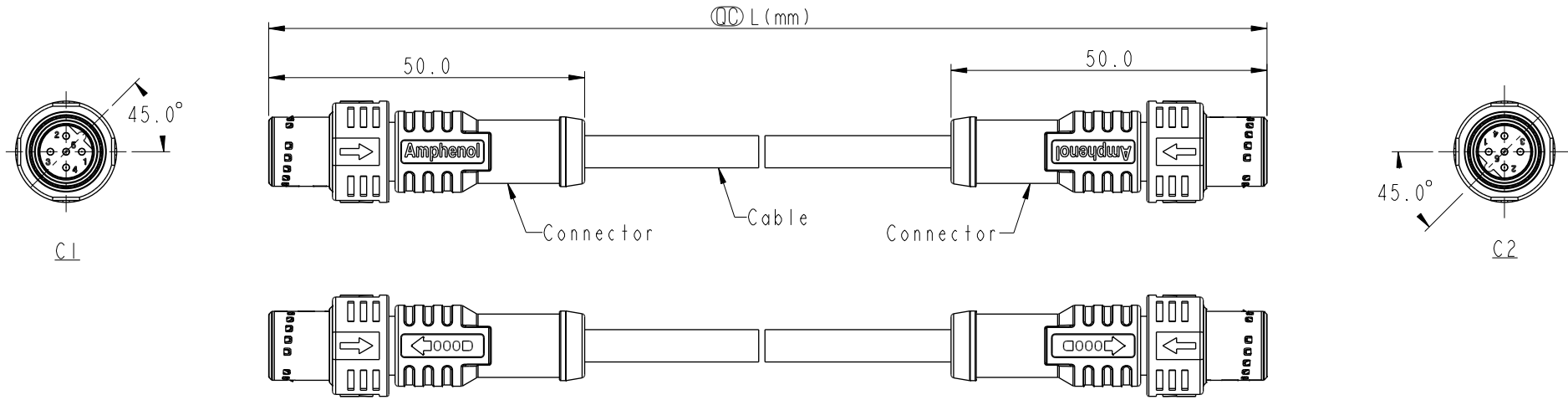
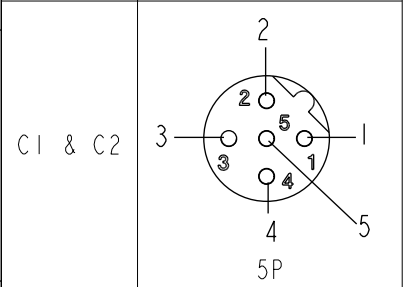


THIS DOCUMENT IS SUBJECT TO CHANGE WITHOUT NOTICE. IT IS CONFIDENTIAL AND A PROPERTY OF Amphenol LTW. DISCLOSURE TO THIRD PARTY HAS TO BE AUTHORIZED BY Amphenol LTW.

REV.	ECN NO.	DATE	SIGN	DESCRIPTION
A		2022/05/12	Ruru	Initial Released
B	C230009	2023/01/03	Vicky	$\triangle B$ XI



Pin Out	Color	Chinese
5	Gray	灰
4	Black	黑
3	Blue	藍
2	White	白
1	Brown	棕



M12BXXML-12BML-PDXXX
 XX: No. Of Pin
 XXX: 0.5~99Meters
 A05: 0.5 Meter
 001: 1 Meter
 002: 2 Meters
 :
 099: 99 Meters

- Note:
- * RoHS Compliant
 - * $\text{\textcircled{C}}$ Important dimension
 - $\triangle B$ * Waterproof rate: IP68, mated 1m/24h
 - * Connector
 - Housing: Thermoplastic, Black
 - Pin: Copper alloy, Gold plated
 - Shield: Metal
 - Slider: Thermoplastic, Black
 - Outer Mold: Thermoplastic, Black
 - * Cable: UL2517, 22#*5C, OD=5.1mm, PVC Jacket, Black
 - * Cable Length Tolerance:

0.5M < L ≤ 1M	: +60/-0 mm
1M < L ≤ 3M	: +120/-0 mm
3M < L ≤ 5M	: +160/-0 mm
5M < L ≤ 10M	: ±100 mm
10M < L ≤ 20M	: ±200 mm
20M < L ≤ 30M	: ±300 mm
30M < L ≤ 99M	: ±500 mm

Pin Assignments
Front View

UNIT:mm	
TOLERANCE	±0.5mm

TITLE ACC, SEN, B Code, DB-ENDED MM			
SCALE 1:1	SIZE A4	SHEET 1	OF 1
REV. B	WC-REV. A.1	$\text{\textcircled{C}}$: Inspection item	

Amphenol LTW
 安費諾亮泰企業股份有限公司

ITEM NO	DRAWN BY Ruru	DATE 2022/05/12
DWG NO M12BXXML-12BML-PDXXX	CHECKED BY Rita	DATE 2022/05/12
CUSTOMER ALTW	APPROVED BY Max	DATE 2022/05/12