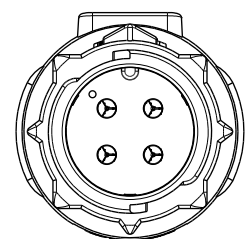
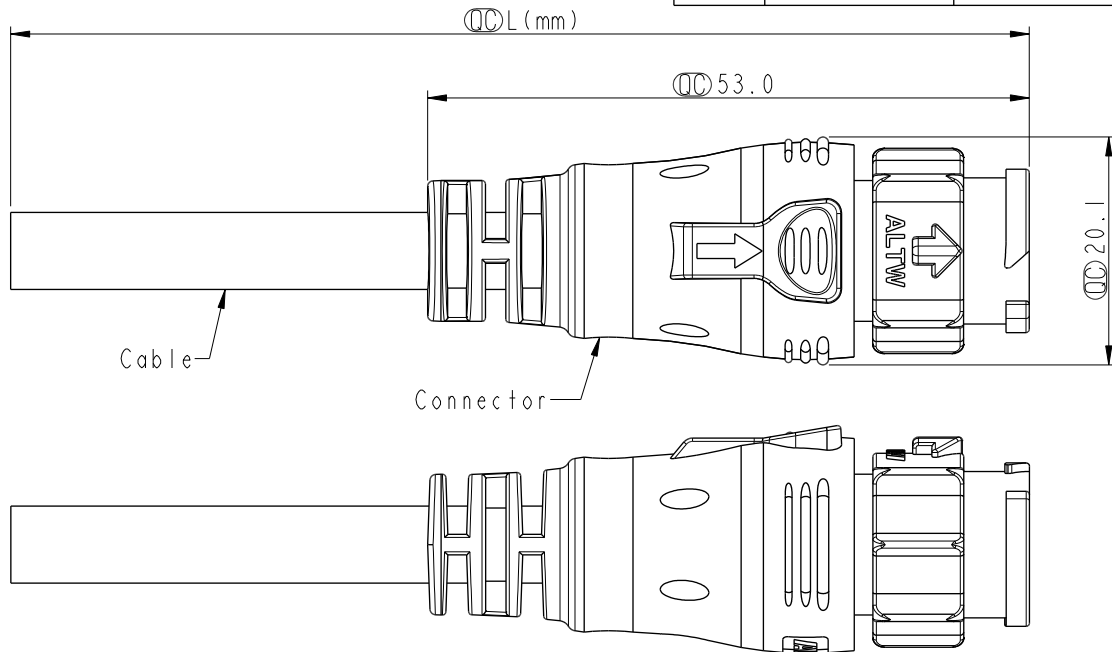


THIS DOCUMENT IS SUBJECT TO CHANGE WITHOUT NOTICE. IT IS CONFIDENTIAL AND A PROPERTY OF Amphenol LTW. DISCLOSURE TO THIRD PARTY HAS TO BE AUTHORIZED BY Amphenol LTW.

REV.	ECN NO.	DATE	SIGN	DESCRIPTION
B	LEN1540294	2015/04/16	Micky	Modify #2 Wire Colore
C	C220458	2022/04/06	Ruru	$\triangle C$ X8
D	C230120	2023/02/03	Ruru	$\triangle D$ XI



Note: \triangle
 * RoHS Compliant
 * CC Important dimension
 $\triangle D$ * Waterproof rate: IP68, mated 1m/24h
 * Connector
 Housing: Thermoplastic, Black
 Pin: Copper Alloy, Gold Plated
 Outer mold: Thermoplastic, Black
 * Cable: UL21388, PVC Jacket, Black
 * Cable length tolerance: IM: +50/-0 mm

1M < L ≤ 3M:	+100/-0 mm
3M < L ≤ 5M:	+150/-0 mm
5M < L ≤ 10M:	±100 mm
10M < L ≤ 20M:	±200 mm
20M < L ≤ 30M:	±300 mm
30M < L ≤ 99M:	±500 mm

UNIT: mm	
TOLERANCE	±0.5 mm

TITLE XLOK, B-10A, CABLE W/SR M, M, MOLDING, XLOK $\triangle C$		
SCALE 3:2	SIZE A4	SHEET 1 OF 2
REV. D	WC-REV. A.2	CC : Inspection item

Amphenol LTW
 安費諾亮泰企業股份有限公司

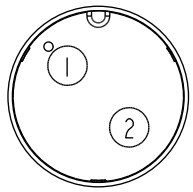
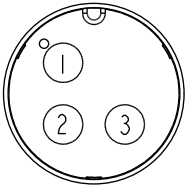
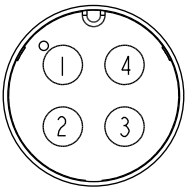
ITEM NO	DRAWN BY Micky	DATE 2014-09-12
DWG NO BB-XXAMMM-QL8DXX $\triangle C$	CHECKED BY Spring	DATE 2014-09-12
CUSTOMER ALTW	APPROVED BY Kevin	DATE 2014-09-12

THIS DOCUMENT IS SUBJECT TO CHANGE WITHOUT NOTICE. IT IS CONFIDENTIAL AND A PROPERTY OF AMPHENOL LTW. DISCLOSURE TO THIRD PARTY HAS TO BE AUTHORIZED BY AMPHENOL LTW.

4P		PVC	6.8	16	BB-04AMMM-QL8DXX
3P			6.5		BB-03AMMM-QL8DXX
2P			6.0		BB-02AMMM-QL8DXX
Contacts	Cable Jacket	Cable OD	AWG	Item No.	

△
BB-XXAMMM-QL8DXX
XX: No. Of Pin

XX : 01~99Meters
 01 : 01Meter
 02 : 02Meters
 ...
 99 : 99Meters

Pin Out	2 Red 紅 1 Black 黑	3 Red 紅 2 Brown 棕 1 Black 黑	4 Orange 橙 3 Red 紅 2 Brown 棕 1 Black 黑
	Pin # Wire	Pin # Wire	Pin # Wire
Conn.			
	2P	3P	4P
Pin Assignments Front View			

UNIT: mm 

TOLERANCE ±0.5 mm

TITLE XLOK, B-10A, CABLE W/SR M, M, MOLDING, XLOK △

SCALE 3:2 SIZE A4 SHEET 2 OF 2

REV. D WC-REV. A.2 (QC): Inspection item

Amphenol LTW
安費諾亮泰企業股份有限公司

ITEM NO	DRAWN BY Micky	DATE 2014-09-12
DWG NO BB-XXAMMM-QL8DXX △	CHECKED BY Spring	DATE 2014-09-12
CUSTOMER ALTW	APPROVED BY Kevin	DATE 2014-09-12